

Thank you..

FOR THE OVERWHELMING RESPONSE TO VEGAKIT FROM READERS ALL OVER INDIA.

Enthusiastic enquiries are flooding our office, Orders are pouring in, and the VEGAKIT Range is expanding to meet new demands from the hobbyists



VEGAKIT



Always the first choice in Electronic Hobby Kits



GALA ELECTRONICS

20, Kalpana Building, 1st Floor, 357, Lamington Road, Bombay 400 007. Tel: 363549

VASAVI's VLCR7 SAVES YOU FROM AGONY OF BRIDGES.



Measurement of **INDUCTANCE, CAPACITANCE, RESISTANCE** are greatly simplified by VLCR 7. No balancing, no adjustments. VLCR 7 gives you directly the digital reading of value and its loss factor simultaneously. VLCR 7 is the only instrument in India covering the widest ranges of 0.1 pf/uH/m ohm (ie. 0.0001 ohm) to 20,000 uf/200H/20 M ohm.

VASAVI OSCILLOSCOPES



Component tester in our oscilloscopes is altogether different from other's. In addition to all Oscilloscope functions component tester provision can test all components passive and active, in circuit and out of circuit. ONLY OUR SCOPESCAN recognise NPN/PNP. Distinguish HIGH/LOW Gain, Distinguish AUDIO, R.F., SWITCHING transistors.

DIGITAL FREQUENCY COUNTER VDC 18



Smallest size ever made in INDIA

Battery cum mains operated wide frequency range 30MHz
(our model VDC 19 is Basic sensitivity of 10mv
Bright LED display 7 digit

MULTI FUNCTION OSCILLATOR



- ★ Pure Sine wave output.
- ★ Amplitude settable with ease down to millivolts. X 1, X 1/10 and X 1/100 attenuated outputs available.
- ★ No amplitude bounce when frequency varied.

VASAVI ELECTRONICS

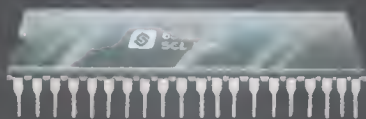
(Marketing division)

630, Alkarim Trade Centre, Ranigunj
SECUNDERABAD-500 003.

ph: 70995

gms: VELSCOPE

READ THIS AD SLOWLY...



Discover the speed and power of SCL 6502 Microprocessor

It's fast

Pipeline Architecture enables this Microprocessor to execute an instruction as it fetches the next one, saving few cycles, every time in the process.

Easy to handle instruction set

A simple set of 56 instruction when mixed with 13 addressing modes provides a versatile language for your programming needs.

Other prominent features.

★ True indexing capacity ★ Programmable stack pointer ★ Addressable memory up to 64K ★ Choice between external and on chip clock ★ 8 bit parallel processing ★ 8 bit bidirectional databus ★ Expandable, using support chips through interfaces.

Documentation

Extensive documentation, dealing with every bit of the chip thoroughly, helps you to integrate your imagination with the potential of the chip.

Support

There is a team of live-wire engineers, who can help you to realise the possibilities the chip offers. In every facet — generating the concept, conceiving and implementing the design, mapping your needs, etc. — They will be there guiding and working with you.

SCL 6502 the matchless chip!



Semiconductor Complex Ltd.

Regd. Office:
Semiconductor Complex Ltd.
(A Govt. of India Enterprise)
Phase VIII, S.A.S. Nagar-160 059
(Near Chandigarh) Punjab
Phones: 87585, 87285, 87397, 87409, 87310, 87443
Telex: 0395-270 LSI IN Gram: CHALSI

Delhi Office:
12/48, Malcha Marg, 1st Floor, Chanakyapuri
New Delhi-110 021. Phones: 30144554, 3010426,
Telex: 031-65118

SCL 6500
FAMILY
COURSEWARE

SCL 6500
HARDWARE
MANUAL

SCL 6500
PROGRAMMING
MANUAL

Stocks available with:

WEST: Sales Industrials, Bombay, Ph: 2872169, General Electronics, Bombay, Ph: 4946422/ 897953/4946553, International Electronics, Pune, Ph: 65253, Hari Electronics, Ahmedabad, Ph: 342563/344697 **NORTH:** Mohan Radios, Delhi, Ph: 234578/2518675, U.P. Electronics, Saharanpur, Ph: 7318, Bharat Radio Centre, Lucknow, Ph: 45808, **SOUTH:** S.P.E.E.D.(P) Ltd., Madras, Ph: 452931/454810, Micro Electronics Incorporated, Madras Ph: 450217, Namtech Consultants Pvt. Ltd., Bangalore, Ph: 561234, Safeguard Micro System, Bangalore, Ph: 568324, Shilba Electronics, Secunderabad, Ph: 73792, Marketing Engineers & Consultants, Hyderabad, Ph: 221293, **EAST:** Sham Electronics, Calcutua, Ph: 274867/269879 Premier Micro Systems Pvt. Ltd., Calcutta, Ph: 359039, India International, Patna, Ph: 52616.

Volume-5, Number-9
September 1987

Publisher: C.R. Chandarana
Editor: Surendra Iyer
Technical Editor: Ashok Dongre
Circulation: J. Dhas
Advertising: B.M. Mehta
Production: C.N. Mthagari

Address:
ELEKTOR ELECTRONICS PVT. LTD.
52, C Proctor Road, Bombay-400 007 INDIA
Telex:(011) 76661 ELEK IN

Overseas editions:

Elektor Electronics
Standlaet House 84th Place
High Street, Barnet Herts EN5 5XE U K
Editor: Ian Seymour

Pulitron Publicacoes Tecnicas Ltda
Av Ipiranga 1100, 9º andar CEP01040 Seo Paulo — Brazil
Editor: Juliano Barsali

Elektor sari
Route Nationale, Le Seau, B P 53
592270 Bailleul — France
Editors: O R S Meyer;
G C P Raedersdorf

Elektor Verlag GmbH
Sutorfeld, StraÙe 25 100 Aachen — West Germany
Editor: E J A Krampelsauer

Elektor EPE
Karasaki 14 16673 Voula — Athens — Greece
Editor: E Xanthoulis

Elektor BV
Peter Treckpoelstraat 2 4
6191 VK Beek — the Netherlands
Editor: P E L Karasmakers

Ferreira & Banto Lda
R D Estelens, 32 1º 1000 Lisboa — Portugal
Editor: Jorge Goncalvas

Ingelek S.A.
Plaza Republica Ecuador 2-28016 Madrid-Spain
Editor: A M Ferrer

In Part:
Kedhorn Holdings PTY Ltd Cnr Fox Valley Road &
Kagle Street Wairoa NSW 2076 — Australia
Editor: Rogar Harrison

Electronic Press AB
Box 63
Editor: Bill Cedrum

The Circuits are for domestic use only. The submission of designs of articles of Elektor India implies permission to the publisher to alter and translate the text and designed to us the contents in other Elektor publications and activities. The publishers cannot guarantee to return any material submitted to them. All drawings, photographs, printed circuit boards and articles published in Elektor India sra copyright and may not be reproduced or imitated in whole or part without prior written permission of the publishers.

Patent protection may exist in respect of circuits, devices, components etc described in this magazine.

The publishers do not accept responsibility for failing to identify such patent or other protection.



MEMBER

Printed at : Trupti Offset: Bombay - 400 D13

Ph. 4923261, 4921354

Copyright © 1987 Elektor B.V.

The Netherlands

29 News ● News ● News
134 New Products
161 Datalek
164 Classified Ads.
164 Index of Advertisers

Audio & music

52 Buzzer driver
86 Compressor
39 Current corrected AF amplifier
89 Digital audio selector
61 Digital volume control
45 Headphone amplifier
42 Integrated stereo amplifier
72 Limiter for guitars
44 Loudspeaker protection
77 Patch catcher
83 Simple preamplifier
88 Single-chip 40 W amplifier
71 SMD headphone amplifier
66 Stereo indicator
98 Stereo preamplifier with tone control
102 Low noise riaa preamplifier
113 Audio line drive

Computers & microprocessors

92 4-way DAC extension
47 16-key input for MSX micros
50 32 Kbyte pseudo ROM
60 A-D converter for joysticks
41 Bidirectional serial-parallel converter
79 Bus direction add-on for MSX extensions
58 Communication program for C64
87 Discrete DAC
57 Drive selector
48 Level adaptor for analogue joysticks
38 Light detector
68 Serial data converter
43 Simple D-A converter
67 Synchronization separator
96 Logic families
108 Ram Extension for quantum leap
124 Bidirectional parallel interface for C64

Design ideas

52 Band-gap voltage reference
78 Decoupling in logic circuits
66 HC-based oscillators
89 HCU/HCT-based oscillator
82 Low voltage drop regulators
56 Opamp-based current source
65 Pierce oscillator
69 Transmission line for TTL circuits
116 Deglitcher

Domestic

64 7-digit code lock
95 Central heating control
53 Current monitor and alarm
79 Light sensitive trigger
34 Mains failure alarm
65 Thermometer
49 Toilet pointer
105 Starting-pistol simulator
109 Synchronized slide changer
110 Fruit machine
114 Telephone light
123 Fishing aid
128 Electronic sand-glass
131 Forced cooling for refrigerator

Generators, oscillators and test equipment

80 8-channel voltage display
36 Duty factor analyser
84 Function generator
66 HC—based oscillators
89 HCU/HCT-based oscillator
65 Pierce oscillator
75 Precision crystal oscillator
84 Precision rectifier
93 Variable Wien bridge oscillator
74 Wien bridge oscillator
100 Simple sweep generator
106 Logarithmic sweep generator
112 Instrumentation amplifier
114 Two-tone RF test oscillator
121 Low current ammeter.
127 Sample & hold for analogue signals
130 Divider cascade

Miscellaneous

49 6-way channel selector
56 Auto focus for slide projector
52 Buzzer driver
39 Display intensity control
83 Flashing lights
59 Flashing rear light
85 Halogen lamp dimmer
4B Section indication for model railway
62 Speed control for DC motors
90 Speed control for R/C models
38 Timer for fixing bath
81 Tracking window comparator
99 Timer for soldering iron
107 Power switch for cars
115 Non-interlaced picture for electron
117 Noise blander
119 Wiper delay -
120 Driver for bipolar stepper motors
122 Fast starting wiper delay
125 Ergonomic Thumbwheel switch
126 PWM Driver for DC motors
132 Computer controlled enlarger

Power supplies & ancillaries

52 Band-gap voltage reference
63 Current indicator for 723
53 Current monitor and alarm
35 Digital voltage/current display
96 Loss-free supply protector
82 Low voltage drop regulators
70 Tunnel diode battery charger
113 Battery charge/discharge indicator

RF & video

76 Four-way aerial switch
51 High level passive DBM
34 High level wideband RF preamplifier
73 Morse filters
54 Multi-mode uP-controlled IF module
40 RF module for IDU
94 Switchable bandselector
67 Synchronization separator
91 Synthesizer for SW receiver
97 Front-end for FM receiver
111 Weather satellite interface
118 Video distribution amplifier
132 Front-end for SW receiver

1

HIGH LEVEL WIDEBAND RF PREAMPLIFIER

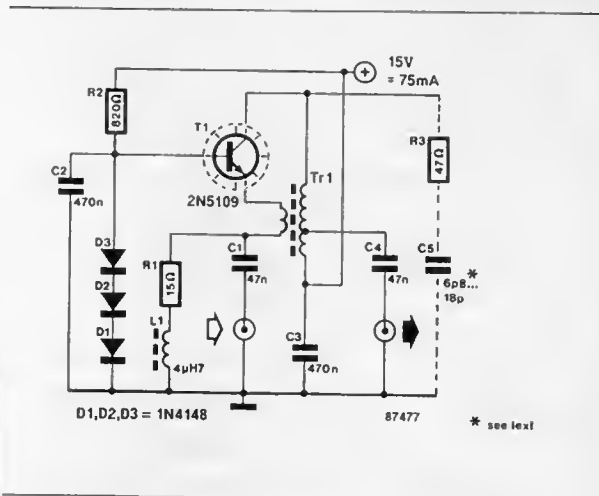
A linear RF amplifier can be made in two ways: (1) with the aid of a linear active element, or (2) with a non-linear element operating with negative feedback. This circuit is of the second kind, using an RF power transistor as the active element. Feedback is also required to ensure correct termination ($50\ \Omega$) of the aerial, since bipolar transistors normally exhibit a low input impedance. Also, the noise figure is not increased because virtually no signal is lost.

The common-base amplifier is based on a UHF class A power transistor Type 2N5109 from Motorola. The feedback circuit

is formed by RF transformer Tr1. The input and output impedance of the preamplifier is $50\ \Omega$ for optimum performance. Network R3-Cs may have to be added to preclude oscillation outside the pass-band, which ranges from about 100 kHz to 50 MHz. The gain is approximately 9.5 dB, the noise figure is between 2 and 3 dB, and the third-order output intercept point is at least 50 dBm.

The input/output transformer is wound on a Type FT37-75 ferrite core from Micrometals. The input winding is 1 turn, the output winding 5 turns with a tap at 3 turns.

B



2

MAINS FAILURE ALARM

by A Treps

This circuit was originally developed to detect and signal interruptions of the mains supply to artificial respiration systems. The signalling is done in two ways: a buzzer is sounded, and a small lamp is quenched.

The supply current to the monitored equipment induces a variable flux in a small transformer that serves to keep the relays actuated, so that La, lights and Bz is off when the mains voltage is available. When a mains failure occurs, apparatus X no longer draws current, so that both Re1 and Re2 are de-actuated, resulting in the lamp being turned off, and the battery-operated buzzer being activated.

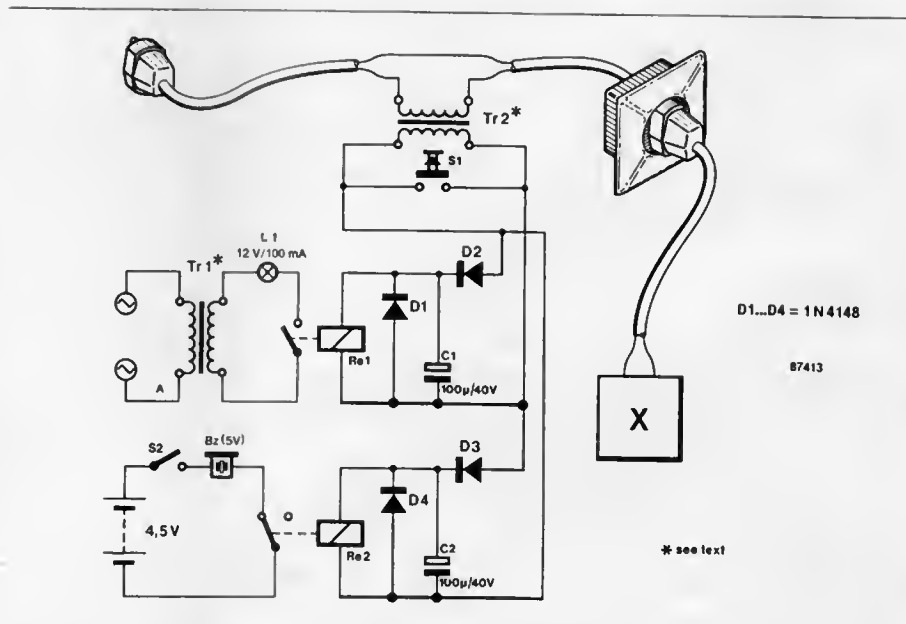
Transformer Tr1 is a modified 3 VA mains type which functions as a current transducer: the original primary winding functions in this application as the secondary, while the original secondary winding is replaced by about 7 turns of 20SWG ($\varnothing 1\text{mm}$) enamelled copper wire. Every precaution should be taken to ensure that

the new winding is capable of safely handling the current demand of X. Thanks to the so created high turns ratio in the transformer, a relatively small current suffices to keep the relays actuated and the smoothing capacitors C1-C2

charged. Push-button S1 makes it possible to test the alarm by simulating the absence of induced current. Tr1 can be a small bell type, or one salvaged from a mains adapter for a pocket calculator. Switch S2, finally, is used to turn off the

buzzer when apparatus X is disconnected or switched off.

R

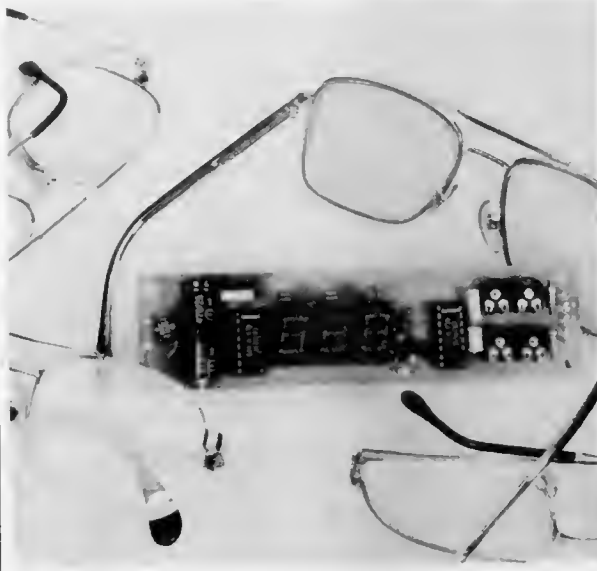


DIGITAL VOLTAGE/ CURRENT DISPLAY

This VI display module is eminently suitable for building into an existing DC power supply, where it gives a precise indication of the set voltage or the current consumption of the load.

The circuit diagram appears in Fig. 1. The 3-digit readout is based on A/D converter Type CA3162 and BCD-to-7 segment decoder Type CA3161, both from RCA. The common anode connections of LED displays LD₁-LD₃ are successively connected to the positive supply line via T₁-T₃.

Provision has been made to select the correct position of the decimal point. In the voltage range, the decimal point lights on LD₃, and the resolution is therefore 100 mV. Two current ranges are possible: 0-9.99 A (link a) or 0-0.999 (999) A (link b). The current sensing resistor is therefore either 0R1 or 1R0—see Fig. 2. It is important that R_s does not affect the output voltage of the supply in question. It must, therefore, be fitted ahead of the voltage divider that con-



trols the output voltage. DPDT switch S₁ selects between voltage and current readings. When voltage measurement is selected, P₂-R₁ attenuates the input voltage by a factor 100. Also, point D is pulled low so that the decimal point on the

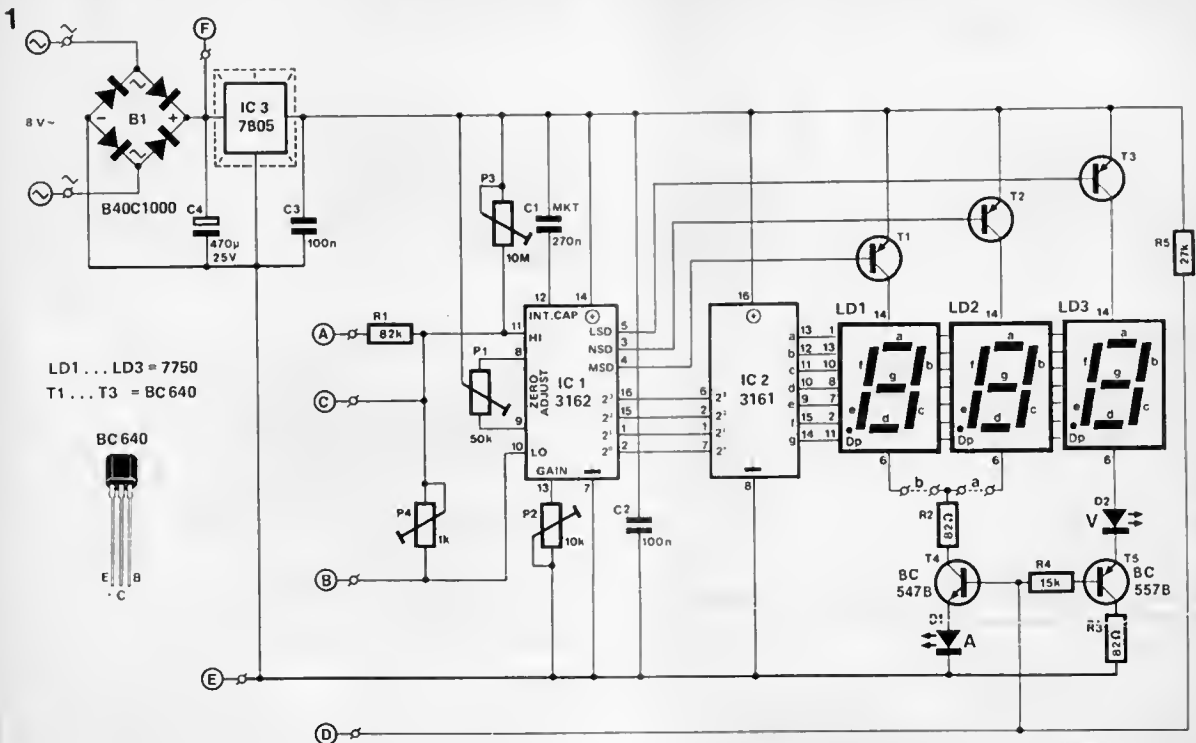
LS display, and the "V" LED, are illuminated. When current measurement is selected, the drop across the sensing resistor is applied direct to the HI-LO inputs of DAC IC₁. The sensing resistor has such a low value as to render the voltage divider

ineffective.

There are four adjustment points in the module:

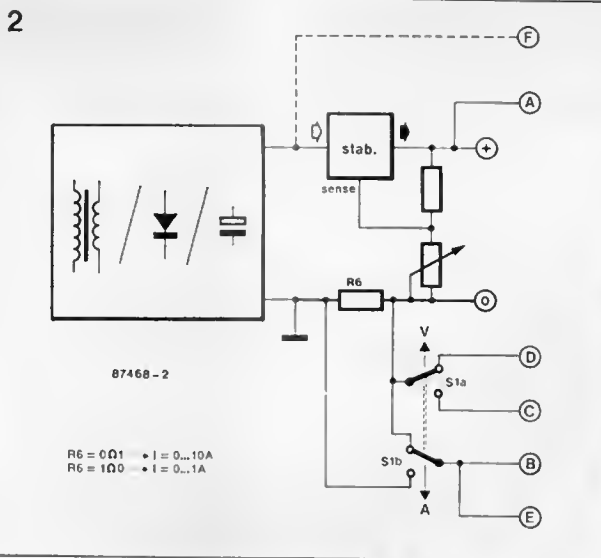
P₁: current range nulling;
P₂: full-scale current calibration;
P₃: voltage range nulling;
P₄: full-scale voltage calibration. These points should be adjusted in the above order. Two presets, P₁ and P₃, are required to ensure correct nulling of the module. P₁ compensates for the quiescent current consumption of the regulator circuit in the supply. The resulting small negative deviation in the voltage range is compensated by P₃.

The VI display module is conveniently fed from the unregulated voltage available in the supply (max. 35 V)—see points E and F in Fig. 2; bridge rectifier B₁ may then be omitted. The minimum input voltage for IC₃ is 8 V, and this regulator should be fitted with a heat-sink if the input voltage is greater than 12 V. It is, of course, also possible to power the module from a separate 8 V, 200 mA mains transformer.



87468-1

The unit can be constructed as a double to obtain simultaneous V and I readings. It should be noted, however, that the current sensing resistor is short-circuited via the ground connections when both modules are fed from the same supply. There are two ways to overcome this problem. One is to feed the V unit from a separate supply, and the I unit from the "host" supply. The other is more elegant and entails hard wiring points E to the left side of the current sensing resistor. Note, however, that the highest V indication then becomes 20.0 V (R_6 drops 1 V max.), since the voltage at pin 11 may not exceed 1.2 V. Higher voltages can be displayed by selecting the lower current resolution,



i.e., R_6 becomes 0R1. Example: R_6 drops 0.5 V at a current consumption of 5 A, so that $1.2 - 0.5 = 0.7$ V remains for the voltage indication, whose maximum reading is then $100 \times 0.7 = 70$ V. Again, these complications only arise when two of these modules are used in a single supply. TW

Parts list

Resistors ($\pm 5\%$):

- $R_1 = 82K$
- $R_2; R_3 = 82R$
- $R_4 = 15K$
- $R_5 = 27K$
- $R_6 = 0R1$ or $1R0^*$
- $P_1 = 50K$ preset
- $P_2 = 10K$ preset
- $P_3 = 10M$ preset
- $P_4 = 1K0$ preset

Capacitors:

- $C_1 = 270n$
- $C_2; C_3 = 100n$
- $C_4 = 470 \mu; 25 V$

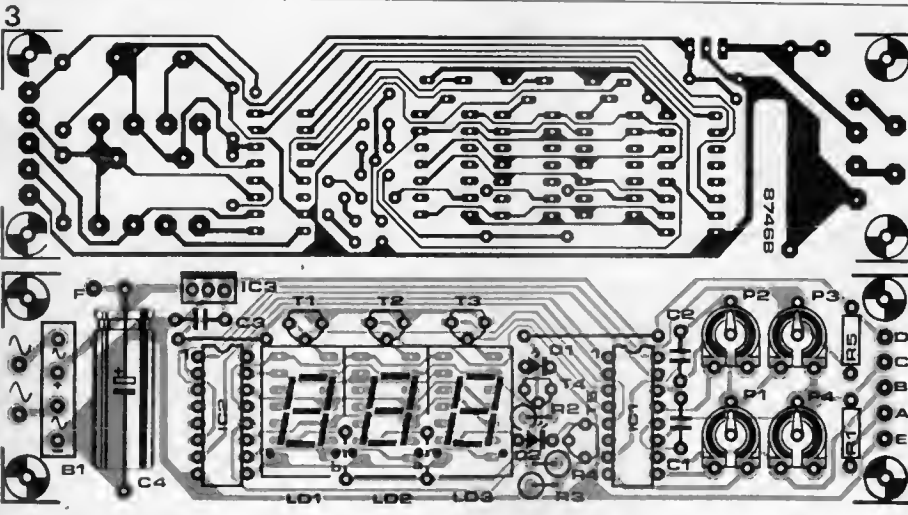
Semiconductors:

- $D_1; D_2 = LED$ red
- $B_1 = BC40C1000$
- $LD_1; LD_2; LD_3 = 7750$
- $T_1 \dots T_3$ incl. = BC640
- $T_4 = BC547B$
- $T_5 = BC557B$
- $IC_1 = CA3162$
- $IC_2 = CA3161$
- $IC_3 = 7805$

Miscellaneous:

- $S_1 =$ miniature DPDT switch.
- PCB Type 87468 (see Readers Services).

* See text.



4

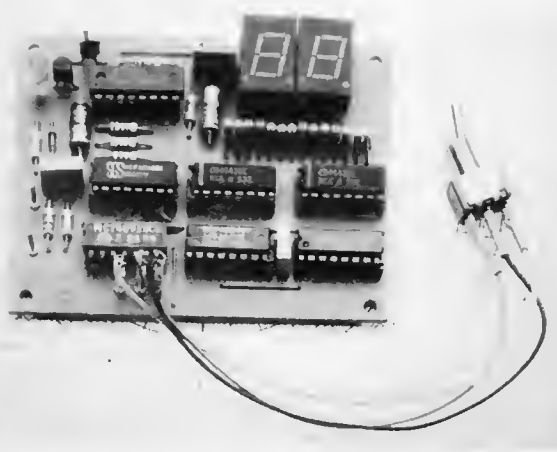
DUTY FACTOR ANALYSER

by R. Behrens

Applications of this duty factor meter include adjusting and setting up ignition systems, switch mode power supplies, PD modulators, and sensor signal converters. The circuit itself requires no adjustment, and has a duty factor resolution of 1%, or 1° in terms of the dwell angle. The duty factor range is 1% to 99% in the frequency range from 1.5 Hz to 10 kHz. The analyser is fed from 12 V and consumes only 50 mA, so that it can be readily used in a car.

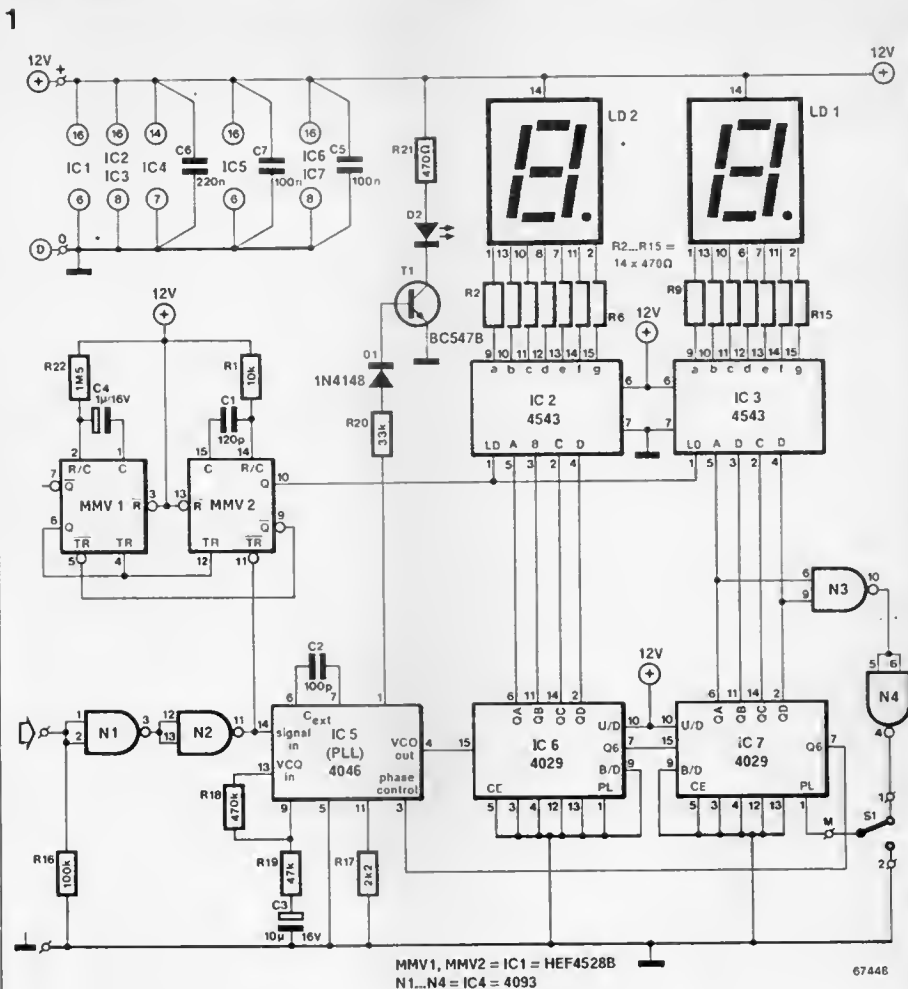
The measuring principle is

straightforward. A PLL, IC₅, is used to multiply the input signal by a factor 100 and to clock counter IC₆-IC₇, whose BCD outputs are applied to display drivers IC₂-IC₃. The carry output of IC₇ is fed back to the phase comparator in the PLL. The counter state is only latched and displayed upon the falling edge of the input signal. Since the counter always counts up to 100 (leading edge of the input signal); the output state that exists upon detecting the trailing edge corresponds to the percentage of the pulse duration in relation to the



period. Example: assuming that the duty factor of the input signal is 60%, the counter is started at state 00 on the leading edge of the input signal, and is at state 60 when the trailing edge commences, so that '60' is latched and displayed. The latch pulse is generated with the aid of monostable IC₁ and timing parts R₁-C₁, while R₂₂-C₄ ensure that the display does not flicker when the input frequency is equal or close to the sample frequency. Each display value is so retained for about 0.5 s. Switch S₁ selects between duty factor (position 2, 0-99%) and dwell angle readings (position 1, 0-90°). The latter scale is obtained by programming a divide factor, and hence a PLL multiplication factor, of 90 with the aid of NAND gates N₃-N₄. The input impedance of the duty factor analyser is 100 kΩ. Input signals should be at least 6 V_{PP}: a suitable preamplifier set up with a switching transistor may be added to increase the sensitivity. Finally, it is recommended to fit the dashed diodes at the input of N₁ to afford protection against too high or reverse voltages.

D



Parts list

Resistors (± 5%):

- R₁ = 10K
- R₂...R₁₅ incl.; R₂₁ = 470R
- R₁₆ = 100K
- R₁₇ = 2K2
- R₁₈ = 470K
- R₁₉ = 47K
- R₂₀ = 33K
- R₂₂ = 1M5

Capacitors:

- C₁ = 120p
- C₂ = 100p
- C₃ = 10 μ; 16 V
- C₄ = 1 μ; 16 V
- C₅; C₇ = 100n
- C₆ = 220n

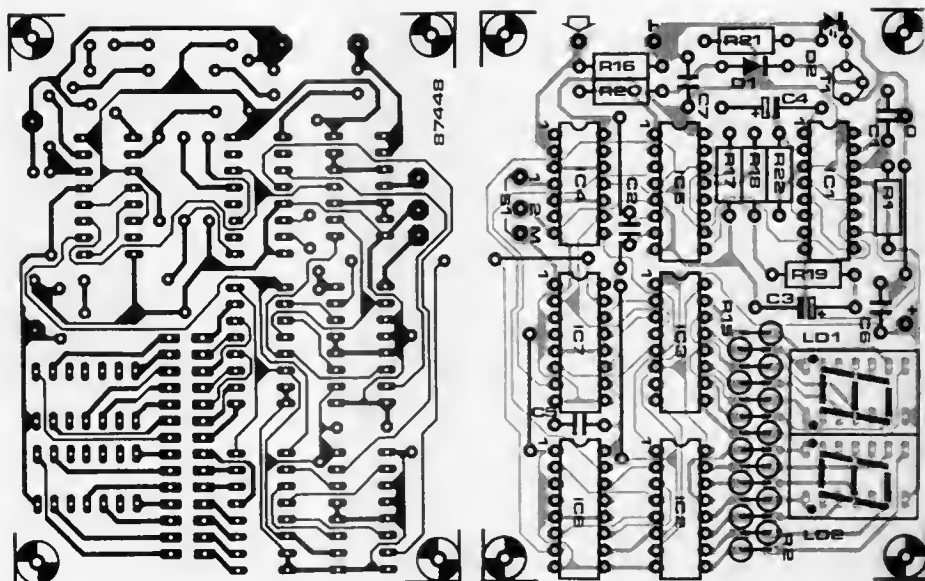
Semiconductors:

- D₁ = 1N4148
- D₂ = LED green
- T₁ = BC547B
- IC₁ = 4528
- IC₂; IC₃ = 4543
- IC₄ = 4093
- IC₅ = 4046
- IC₆; IC₇ = 4029
- LD₁; LD₂ = common anode type, e.g. 7651 or 7766.

Miscellaneous:

- S₁ = miniature SPDT switch.
- PCB Type 87448 (see Readers Services).

2



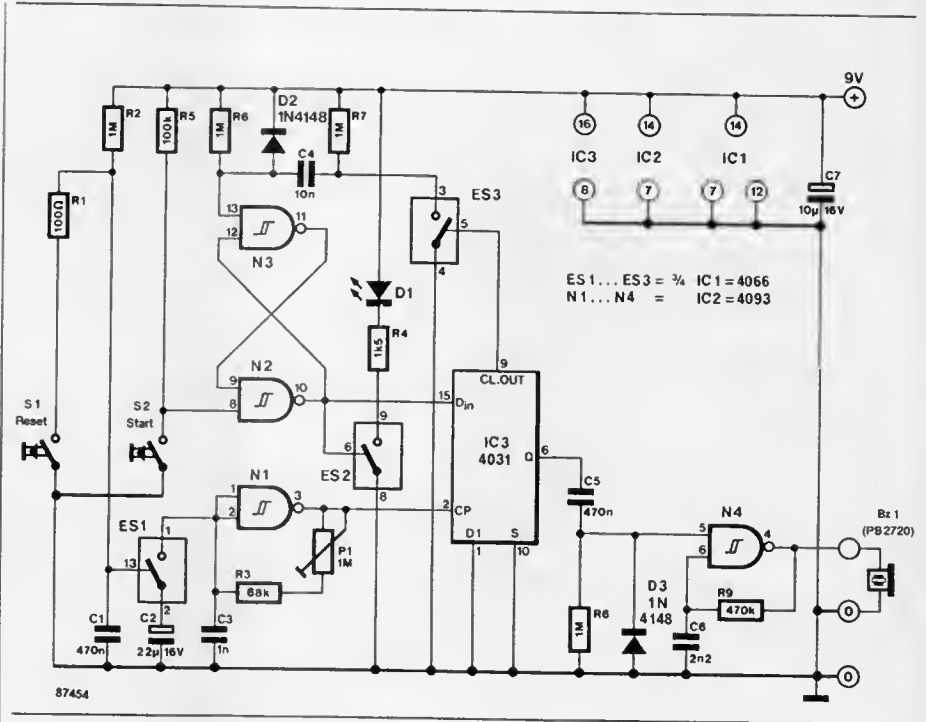
5

TIMER FOR FIXING BATH

by A Behrens

When, after developing, photographs are immersed in the fixing bath at irregular intervals, it becomes difficult to observe the correct fixing time for each of these. This problem is solved by the present timer, which is capable of "remembering" up to 32 immersion times, and automatically provides a signal when a photograph is taken out of the bath. Any time a photograph is immersed in the fixer, the user presses the start key on the timer, which responds by lighting a LED. When the fixing interval has lapsed, the timer provides a short beep.

The circuit is composed of a 64-stage shift register which is loaded with zeroes on power up, because it lacks a reset input. Electronic switch ES₁ connects the frequency determining capacitor to the input of clock oscillator N₁. The logic level that exists at the D_{in} terminal of IC₃ is shifted towards output Q at a speed that is defined by P₁, which enables defining fixing times between roughly 1 and 10 minutes, 9 minutes being a commonly used value.



When the START button is pressed, S-R (set-reset) bistable N₂-N₃ toggles, and LED D₁ lights. A logic 1 is written into the shift register with the aid of a positive pulse transition applied to terminal CP. After 64

clock pulses from N₁, the logic high level is available at the output of the shift register, and enables oscillator N₄ to drive piezoelectric buzzer Bz₁. The LED is turned off shortly after the START button is pressed,

because the bistable is reset by the CL. OUT pulse from IC₃. The timer is conveniently fed from a 9 V battery, and should not consume more than about 10 mA.

Th

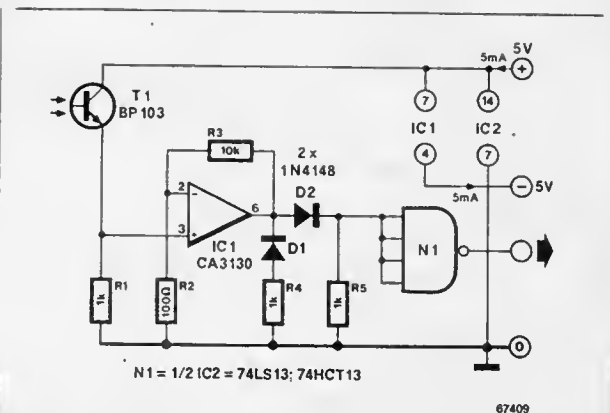
6

LIGHT DETECTOR

This circuit provides a computer with information about the presence of daylight. Possible applications include automatically measuring the duration of the daylight period in an autonomous weather station, or in control systems for outside lighting around the home. The computer can be programmed to monitor the output of the light detector, and automatically arranges for the relevant lights to come when it gets dark. The circuit is simple enough to enable ready construction on a piece of veroboard. Its output is

TTL compatible, and logic low when the phototransistor detects light. The sensitivity can be made adjustable for particular requirements by replacing R₁ with a series connected 10 KΩ preset and a 270 Ω resistor.

St



7

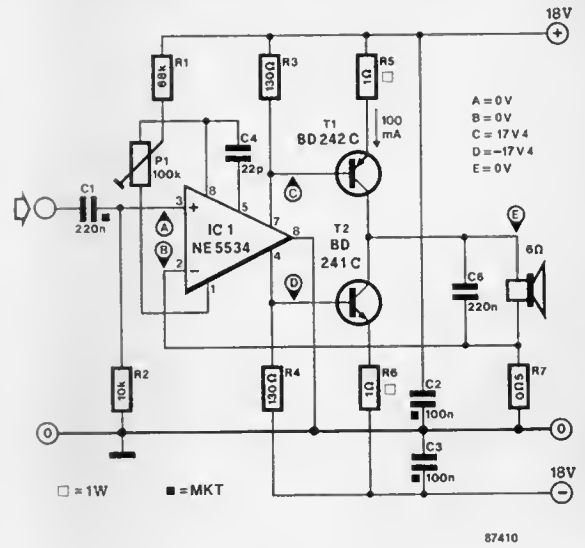
CURRENT CORRECTED AF AMPLIFIER

The majority of modern AF power amplifiers drive the loudspeaker(s) with a voltage that is simply a fixed factor greater than the input voltage. It is fairly evident, therefore, that the power delivered by such amplifiers is inversely proportional to the loudspeaker impedance, since the cone displacement of a loudspeaker is mainly a function of the current sent through the voice coil, whose impedance may vary considerably over the relevant frequency range. In multiway loudspeaker systems, this difficulty is overcome by appropriate dimensioning of the crossover filter, but a different approach is called for when there is but one loudspeaker. This amplifier is based on current feedback to ensure that the current sent through the voice coil remains in accordance with the input signal. The current through the voice coil and R_7 develops a voltage across the resistor. A negative feedback

loop is created by feeding this reference voltage to the inverting input of IC₁. The overall amplification of the circuit depends on the ratio of the loudspeaker's impedance, Z_L , to the value of R_7 . In the present case the amplification is 16 times ($Z_L/R_7 = 8/0.5 = 16$). The connection of the opamp's output to ground is slightly unusual, but enables the base current for output transistors T₁-T₂ to be drawn from the supply rails, rather than from the opamp. Capacitor C_6 functions to set the roll-off frequency at about 90 kHz. The quiescent current of the amplifier is of the order of 50 to 100 mA for class A operation, and is determined by R_3 - R_4 and R_5 - R_6 . The complementary power transistors should be closely matched types to avoid fairly large offset currents (and voltages) arising. Some re-dimensioning of either R_3 or R_4 may be required to achieve the correct balance for the power

output stage. The emitter current of T₁ and T₂ is about 500 mA when the amplifier is fully driven. The harmonic distortion of this

amplifier is less than 0.01% at $P_o = 6.25$ W and $U_b = \pm 18$ V. *Sv*
Source: Texas Instruments Linear Applications.



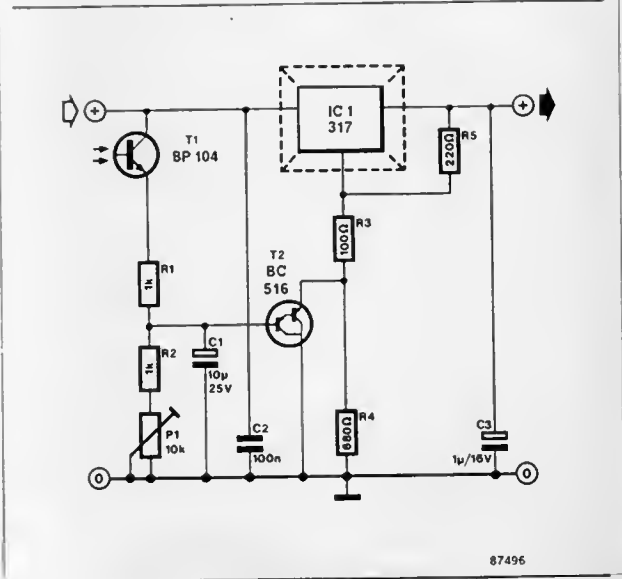
8

DISPLAY INTENSITY CONTROL

This is a light dependent voltage source that regulates the supply to 7-segment displays in accordance with the intensity of ambient light. The regulating action is positive, i.e., a higher ambient light intensity results in the circuit raising the supply voltage to the displays. Phototransistor T₁ does not conduct when it detects darkness, and the base of T₂ is therefore grounded via R₂ and P₁. This causes the voltage at the emitter of this pnp darlington transistor to be about 1.2 V. The voltage across R₅ is the reference potential, 1.25 V, of the Type LM317 regulator, so that I_{RS} is about 5.7 mA, and the output voltage, U_o , of the circuit is

$$U_o = 1.2 + [5.7 \times 10^{-3} (R_5 + R_3)] \\ = 1.2 + 1.82 \approx 3 \text{ volt}$$

when T₁ detects darkness. When it detects a relatively high light intensity, the base and emitter voltage of T₂ increase. When the base voltage of T₂ exceeds 2.7 V, R₄ limits the emitter voltage to 3.9 V due to the constant current of 5.7 mA. T₂ no longer conducts and the output voltage of the circuit is 5.7 V, because the total resistance between the regulator output and ground is $R_5 + R_3 + R_4 = 1,000 \Omega$, and the current through it is still 5.7 mA. The sensitivity of the regulator is adjustable with P₁. The maximum output current is of the order of 700 mA when IC₁ is adequately cooled. The input voltage range of the circuit is 8



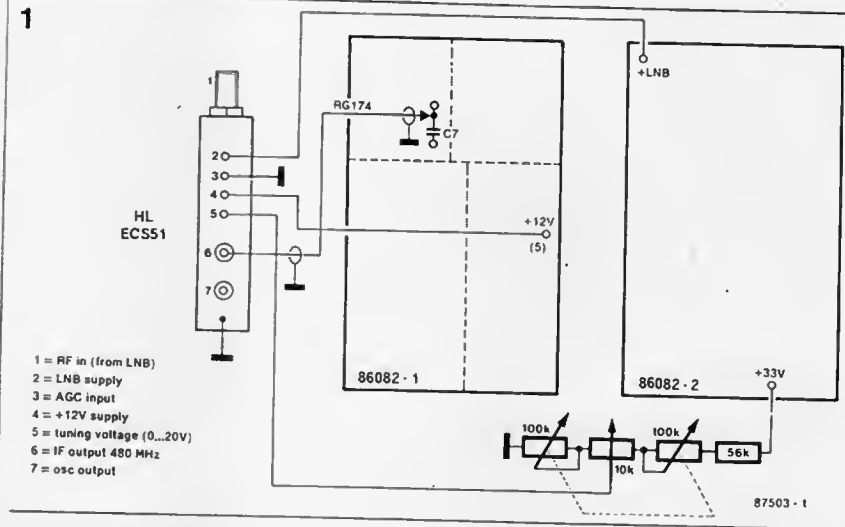
Th

by R v Terborgh

The series of articles on satellite TV reception, started in the September 1986 issue of *Elektor Electronics*, has met a great deal of interest from our readers. Many have successfully ventured out into the world of centimetre waves and SHF construction methods, and are proud to watch the pictures produced by a home-made Indoor Unit⁽¹⁾.

The construction and alignment of the RF input stage and the local oscillators is undoubtedly the most difficult phase of the project. However, an attractive alternative is now available for those constructors hesitant about their skills in dealing with very high frequency components and techniques. The Type HL ECSS1 is a ready-made, tunable, 950-1750 MHz to 480 MHz converter of Taiwanese origin, and is eminently suitable for taking over the previously mentioned functions on the RF board (Type EPS 86082-1). The module is tuned with a voltage between 0 and 20 V, and requires no band (H/L) switch. It has a connection for applying the LNB supply voltage, which is carried to the LNB via the download cable as usual. The module itself is conveniently fed from 12 VDC, and consumes about 100 mA. Its RF input is a Type F socket.

Figure 1 shows the ready connection of the module to the RF board in the IDU. Module pin 3 is the AGC input, which is grounded here to achieve maximum gain. A 56 k Ω resistor is fitted in series with the existing +33 V tuning voltage rail to ensure the correct maximum input to pin 5. The IF output on the module accepts a common phono plug, to which a short length of thin (RG174) coax cable is soldered for connecting to the short track between pin 3 and 4 of MX₁ on the RF board. Coupling capacitor C₇ should be left in place, but MX₁, the RF input stage, and both local oscillators may be omitted, since the module takes over their function. In case the



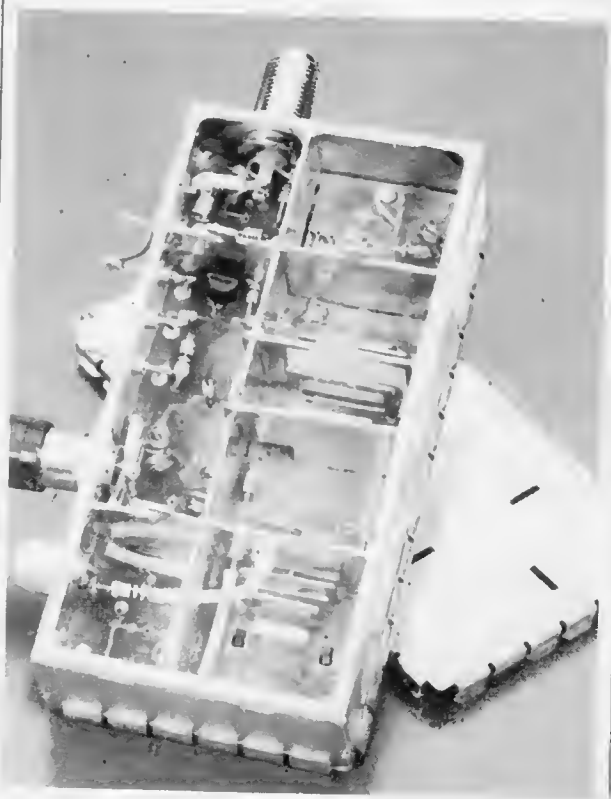
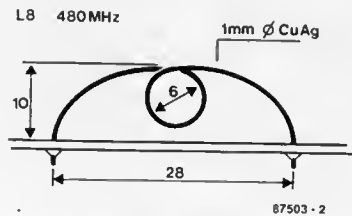
RF board is already complete, it is recommended to remove MX₁, R₃ and band selector S₁. The screen between the RF input stage and the local oscillators may also be omitted, but not the remaining screens on the board.

Before aligning the "modular" Indoor Unit, the intermediate frequency requires lowering from 610 to 480 MHz. The VCO in the SL1451 PLL can be tuned to the new centre frequency by increasing the inductance of L_s. This is easiest to do by making a new inductor as shown in Fig. 2. Use about 5 cm of silver plated, \varnothing 1 mm (SWG20) wire to make the single turn inductor, ensuring that the underside of it is just above the PCB surface.

The alignment procedure of the module-based Indoor Unit is essentially identical to that set forth on page 54 in Part 2 of⁽¹⁾. The reference there to *TV channel 36 (600 MHz)* should then be read as *TV channel 21/22 (approx. 480 MHz)*. The IF band-pass filters can be tuned to the new frequency when the respective trimmers are set for nearly maximum capacitance.

Finally, a note on the results obtained with the module in combination with the RF board as described here: the original, completed, and properly aligned RF board with the BFG65, local oscillators, and MX₁ fitted gives a slightly better performance when relatively

2



weak signals ($C/N \leq 12$ dB) are being received. This is mainly due to its noise figure being lower than that of the HL ECS51 module, which is specified for

no less than 15 dB in this respect. None the less, the module gives good results with relatively strong input signals.

RGK

The HL ECS1 module is available through Bonex Limited • 102 Churchfield Road • Acton • London W3 6DH. Telephone: (01 992) 7748 or (01 993) 7631.

Literature reference:
 (1) Indoor Unit for Satellite TV Reception Parts 1-3; *Elektronics*, October 1986 and following issues.

10

BIDIRECTIONAL SERIAL-PARALLEL CONVERTER

by R. Baltissen

This interface circuit enables doing rather more than normally possible with the computer's serial (RS232) port. Serial output data from the computer is converted into parallel format, and parallel data applied to the interface is converted into a serial bit stream for reception by the computer.

The interface is based on the industry standard UART (universal asynchronous receiver/transmitter) Type AY-5-1013, or the CMOS version of it, the CDP1854 from RCA. Serial data from the computer is received at input RXD, and inverted in T₁ for driving the RSI input on the UART, which converts the received word into 8-bit parallel format (RD₀-RD₇). The shifting in of serial bits is clocked by the 19,200 Hz signal applied to the RCP and TCP input. This fixes the baud rate of the interface at 1200 (19,200/16). The baud rate generator is a conventional design based on a binary counter/divider with built-in clock oscillator, which is crystal controlled here and operates at 2.4576 MHz. The parallel output of the UART is buffered with the aid of IC₂ to enable controlling 8 relay drivers B₁-B₈. The parallel word applied to the UART at its TD₀-TD₇ inputs is converted into serial format and output via the TSO terminal, where the signal is inverted and fed to the TXD output.

The serial data format can be defined with the aid of wire links B-F: Table 1 lists the function of each of these. Inverter T₄ automatically resets the receiver in the UART by driving RDAR (received data available reset) low when PDA (received data available) goes high to signal that a complete word has been shifted into the receiver hold register. When wire link A

is installed, RDA can also control the TDS (transmitter data strobe) input, so that a new parallel word (TD₀-TD₇) is loaded into the transmitter holding register. Thus, jumper A makes it possible to use the CTS (clear to send) handshaking signal. The TEOC (transmitter end of character) pulse is used here to generate the RTS handshaking signal, and also to control the TDS input, together with CTS. This handshaking input, when active, prompts the UART to output a new serial word. Set-reset bistable N₁-N₂ precludes conflicts arising between the

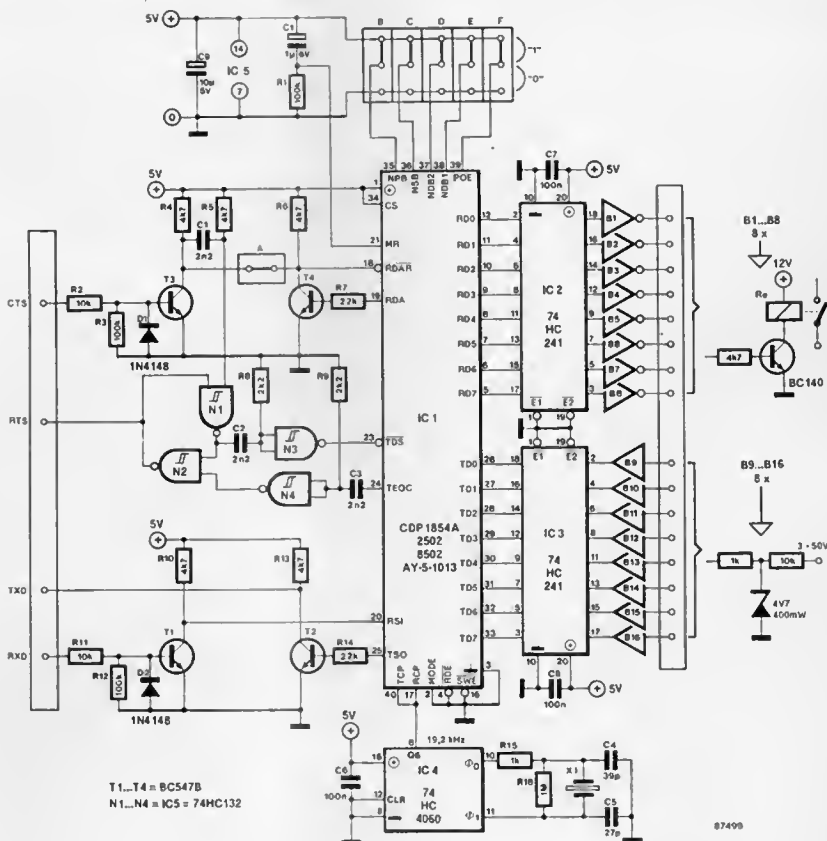


Table 1

link	fitted	not fitted
A	no RTS & CTS	RTS & CTS
B	no parity bit	parity bit
C	2 stop bits	1 stop bit
D/E	---- see below ----	
F	even parity	odd parity

D	E	data word
0	0	5 bits
0	1	6 bits
1	0	7 bits
1	1	8 bits

signals in question. Power-on network C₁-R₁ ensures that the UART is properly reset and initiated. TSO and TEOC then go high, while RDA is forced low. When link A is not fitted, the presence of the inverted TEOC pulse at input $\overline{\text{TDS}}$ causes the transmission process to commence.

The author has developed this circuit mainly to enable two IBM PCs to communicate with the aid of the Turbo Pascal program listed in Table 2. Before this can be run, the status of serial port COM1:

(AUX:) should be defined by typing DOS command
 MODE COM1:1200,n,8,2 <CR>
 (1200 baud, no parity, 8 data bits and 2 stop bits).

Pins 6 (DSR) and 20 (DTR) on the 25-way D socket should be interconnected, and the same goes for pins 4 (RTS) and 5 (CTS) when no handshaking is being used. When it is intended to use the handshaking facility on the bidirectional interface, link A should be removed, and socket pins 4 and 5 connected to interface terminals CTS and RTS respectively.

Sv

Table 2

```

var n : integer;
    v : char;

begin
  repeat
    n := 0;
    repeat
      write(aux,chr(n));
      read(aux,v);
      write(ord(v),' ');
      n := n+1;
      delay (500);
    until (n = 256) or (keydepressed = true)
  until keydepressed = true
end
  
```

11

INTEGRATED STEREO AMPLIFIER

The Type TDA1521 from Valvo/Mullard is an integrated HiFi stereo power amplifier designed for mains fed applications such as stereo TV. The device works optimally when fed from a $\pm 16\text{V}$ supply, and delivers a maximum output power of $2 \times 12\text{W}$ into $8\ \Omega$. The gain of the amplifiers is fixed internally at 30 dB with a spread of 0.2 dB to ensure optimum gain balance between the channels.

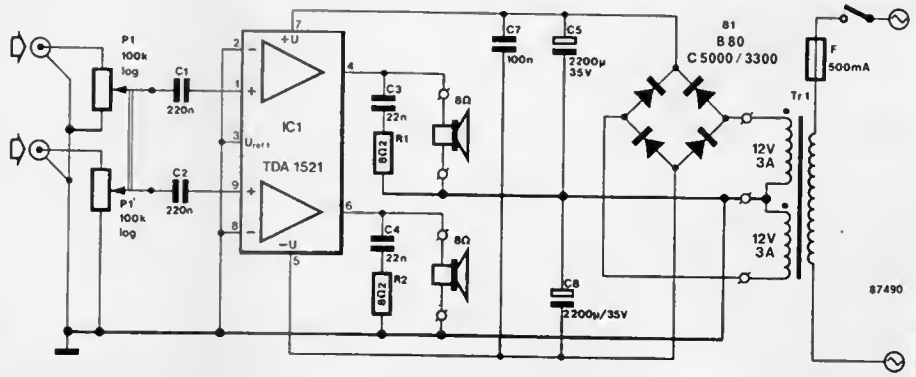
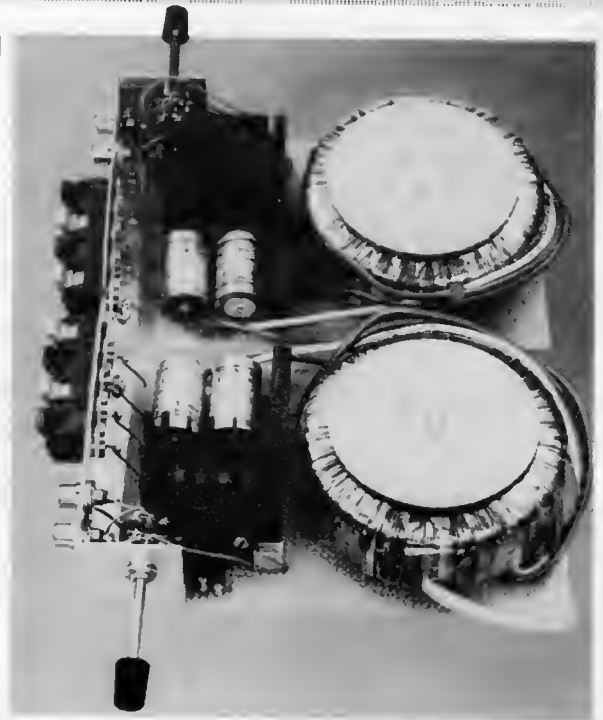
A special feature of the chip is its built-in mute circuit, which disconnects the non-inverting inputs when the supply voltage is less than $\pm 6\text{V}$, a level at which the amplifiers are still correctly biased. This arrangement ensures the absence of unwanted clicks and other noise when the amplifier is switched on or off. The TDA1521 is protected against output short circuits and thermal overloading. The SIL9 package should be bolted onto a heat-sink with a thermal resistance of no more than 3.3K/W ($R_L = 8\ \Omega$; $V_s = \pm 16\text{V}$; $P_d = 14.6\text{W}$; $T_a = 65^\circ\text{C}$). Note that the metal tab on the chip package is internally connected to pin 5.

The accompanying photograph shows that this high quality stereo amplifier has a very low component count, and is readily constructed on a piece of Veroboard.

The following technical data are stated as typical in the data-sheets for the TDA1521 ($R_L = 8\ \Omega$; $V_s = \pm 16\text{V}$):

- Distortion at $P_o = 12\text{W}$: 0.5%
- Quiescent current: 40 mA
- Gain balance: 0.2 dB
- Supply ripple rejection: 60 dB
- Channel separation: 70 dB
- Output offset voltage: 20 mV
- 3 dB power bandwidth: 20-20,000 Hz

R



87490

from an idea by M Wieggers

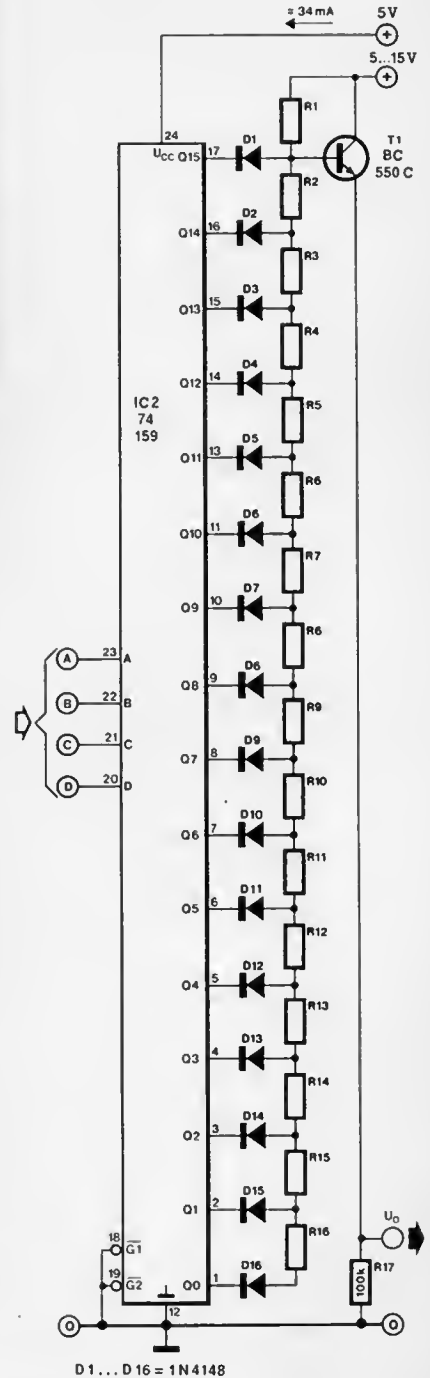
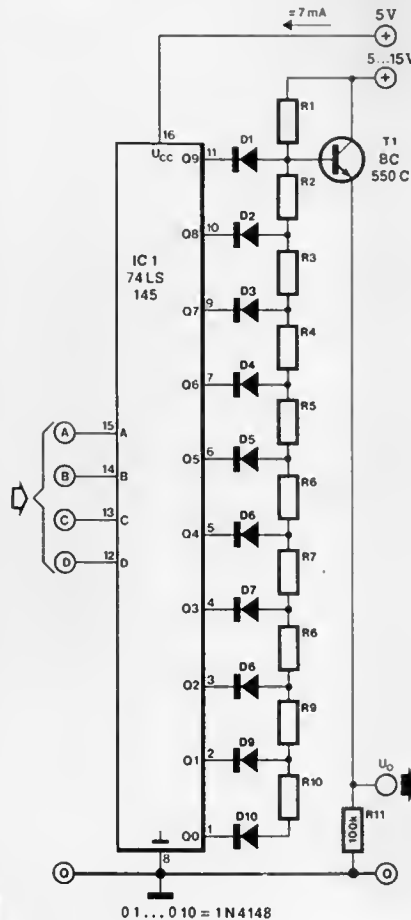
Two simple to build 4-bit digital-to-analogue converters are described here. One translates a 4-bit BCD code into 10 analogue voltage levels, the other accepts a 4-bit binary code and outputs 16 voltage levels. Both circuits comprise a digital decoder with open collector outputs for controlling a resistance ladder. The analogue voltage is obtained by controlled connection to ground of a particular section of the ladder, and buffering the drop so obtained with a transistor.

Notwithstanding their relatively low resolution (10 or 16 steps), the circuit should have many possible applications, including driving digitally controlled power supplies, triangular wave and sawtooth generators, and A-D converters.

Table 1 lists the **relative** values of the resistors in the ladder network, starting from $R_1 = 1K0$. Three values are given for each resistor: the left-hand column shows the theoretical value, while the nearest equivalent from the E24 and E96 series appears in the centre and right hand column, respectively. Note that the starting value can be changed to individual requirements, provided all other resistors are dimensioned accordingly, i.e., their values should be multiplied with the same factor with respect to $1K0$. It is a relatively simple matter to add an 11th or 17th output level by driving the decoder such that none of its output transistors is enabled. This results in an output voltage which is 0.6 V lower than the supply for the ladder network. In the case of the 74LS145, this condition is obtained by applying a non-valid code to the inputs, i.e., one greater than 9₁₀ (1001₂). Similarly, on the 74159, enable input $\overline{G1}$ or $\overline{G2}$ can be made logic high.

Sv

R _n	10-step BCD version			16-step binary version		
R ₁	1000	1K0	1K0	1000	1K0	1K0
R ₂	111	110	110	66.7	68	66.5
R ₃	139	130	140	76.3	75	76.8
R ₄	179	180	178	87	91	86.6
R ₅	238	240	237	103	100	102
R ₆	333	330	332	122	120	121
R ₇	500	510	499	145	150	147
R ₈	833	820	825	178	180	178
R ₉	1667	1K6	1K69	222	220	221
R ₁₀	5000	5K1	4K99	286	270	287
R ₁₁				381	390	383
R ₁₂				533	510	536
R ₁₃				800	820	806
R ₁₄				1333	1K3	1K33
R ₁₅				2667	2K7	2K67
R ₁₆				8000	8K2	8K06



87418

LOUDSPEAKER PROTECTION

Many modern AF power output stages are capable of delivering considerable power levels in the supersonic frequency range. When the loudspeaker can not handle that power, the voice coil is rapidly overheated, and causes a short-circuit. If the power output stage is not properly protected, it breaks down and supplies a direct current that effectively destroys the loudspeaker.

The present loudspeaker protector is composed of three sections: a measuring amplifier, a detector, and a relay driver. Four channels are shown here as an example. Potential divider R₁-R₂ determines the sensitivity of the protection circuit, while D₁-D₂ protect the input of A₁. Opamp A₅ is set up as a low pass filter with a cut-off frequency of 0.5 Hz, so that it can

function as a DC detector. The second section of the circuit is composed of four detectors A₉-A₁₂. A₉ compares any negative direct voltages to a reference set with R₈-R₉, while C₃-R₇ determine the delay time. Opamp A₁₀ has a similar function for positive direct voltages. The circuit is actuated when

$$\frac{V_{in}R_2}{R_1 + R_2} - 0.65 > \frac{15R_2}{R_8 + R_9}$$

Comparators A₁₁ and A₁₂ function as the power limiter. Positive and negative peak voltages are rectified in D₃-D₄ and averaged with the aid of R-C combinations R₃₆-C₃₃ and R₂₆-C₂₃. The relatively long periods of these networks precludes erroneous triggering of the circuit on peaks in the input signal.

The power limiter is actuated when

$$\frac{V_{in}R_2\sqrt{2}}{R_1 + R_2} - 0.65 > \frac{15R_{28}}{R_{28} + R_{29}}$$

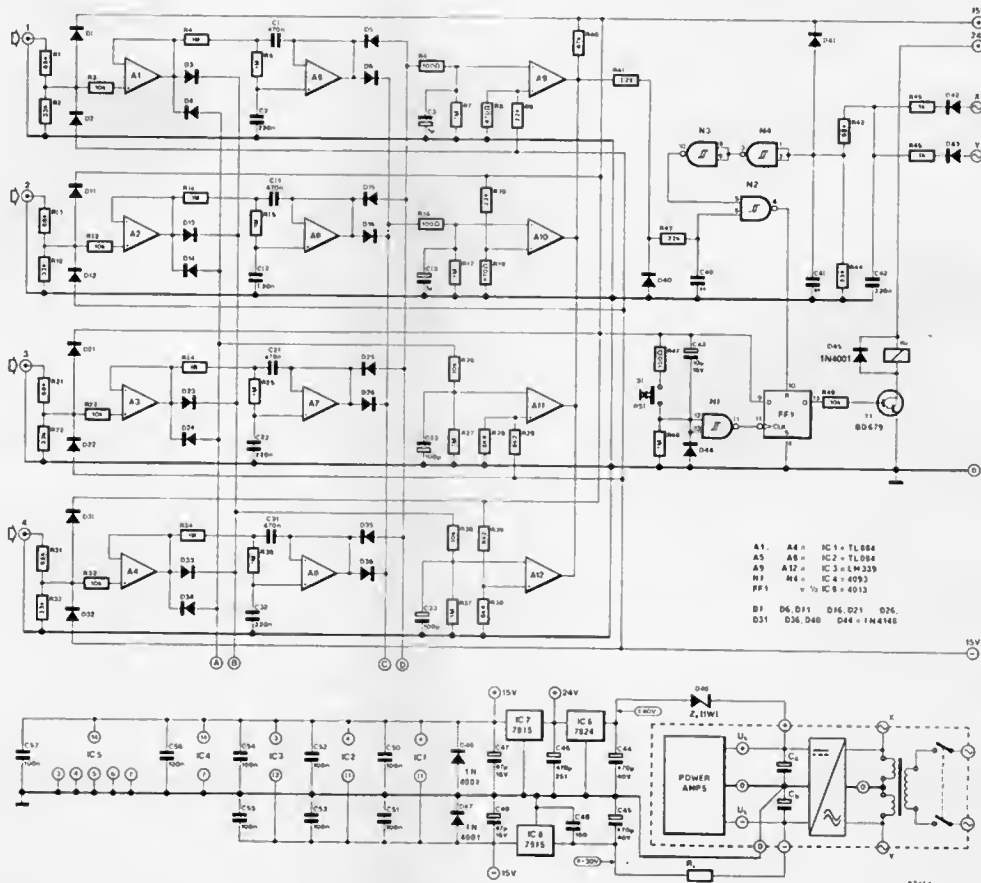
This equation is also valid for the positive detector set up around A₁₂. The stated component values result in P_{max} ≈ 30 W in 8Ω.

When the input signals are all right, the open collector outputs of A₉-A₁₂ are in their high impedance state, so that the output voltage is +15 V via R₄₀. When a fault condition exists at one or more of the inputs, junction R₄₀-R₄₁ is pulled down to -15 V.

The central part in the relay driver is bistable FF₁. Gate N₁ is a resettable power-up delay circuit which clocks FF₁. The logic high level at the D (data)

input is only transferred to output Q when the R (reset) input is logic high. It is seen that a reset pulse can originate either from the mains detector N₃-N₄, or from the fault detectors A₉-A₁₂. The loudspeaker protector is conveniently fed from the amplifier's symmetrical supply, but care should be taken to dimension D₄₈ and R_V such that the indicated voltage across C₄₄ and C₄₅ is not exceeded. If the amplifier supply delivers less than 28 V, IC₈ may be omitted, and the loudspeaker relay, Re, replaced with a 12 V type fed from the +15 V rail. Voltage divider R₄₃-R₄₄ should then be redimensioned such that the input of N₄ is held at about +13 V when R₄₃ + R₄₄ ≈ 100 kΩ.

Sv



There is little doubt that the headphone amplifier described here belongs in the so-called *high end* class of audio equipment, and is, therefore, perfect for incorporation in, or adding to, the *Top-of-the-range Preamplifier* described in (1), although it is also suitable as an autonomous, high quality, unit. The circuit diagram of the headphone amplifier appears in Fig.1. The unit is based on Type OP-50 power operational amplifiers, whose technical features are summarized in Table 1. Clearly, everything feasible has been done by the manufacturers, Precision Monolithics Inc., to ensure optimum operation of the device, and it is with this in mind that the remainder of the amplifier was designed.

Both supply rails to the amplifier ICs are adequately decoupled and filtered with a small series resistor, (R_4 - R_5) and a combination of an electrolytic and a solid capacitor (C_4 - C_2 and C_5 - C_3). With reference to the upper of the two identical channels, preset P_2 enables compensating the (small) offset voltage at the output of the OP-50, while C_1 - R_3 forms a compensation circuit to minimize overshoot for a given closed-loop voltage amplification, A_{vCL} . In the present application, A_{vCL} is about 6, since

$$R_1 = R_2 / (A_{vCL} - 1)$$

When it is intended to alter the amplification, R_2 should be left at 20 k Ω . Also observe that the indicated values for R_3 and C_1 are valid when A_{vCL} is between 5 and 20, while $R_3 = 3.3$ k Ω and $C_1 = 1$ nF when A_{vCL} is between 20 and 50. No R-C compensation is required when A_{vCL} is greater than 50.

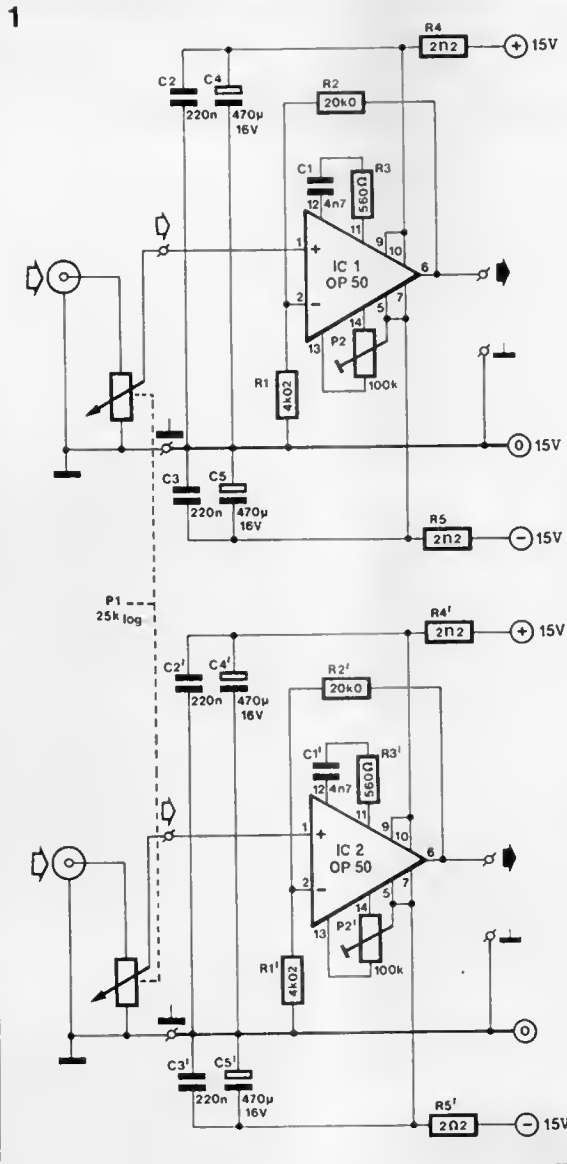
The +15 V supply for the headphone amplifier is a relatively extensive circuit based on a precision regulator Type LM325, which features excellent noise suppression whilst ensuring smooth and simultaneously rising output voltages

OP-50 Power operational amplifier

Features:

- Open-loop gain: 10⁶ V/V min.
- Input offset voltage: 25 μ V max.
- Input bias current: 5 nA max.
- Offset voltage drift: 0.3 μ V/ $^{\circ}$ C max.
- Common mode rejection ratio: 126 dB min.
- Power supply rejection ratio: 126 dB min.
- Noise level: 5.5 nV/ \sqrt Hz ($f = 10$ kHz)
4.5 nV/ \sqrt Hz ($f = 1$ kHz)
 ± 50 mA
- Output current: ± 50 mA
- Drives capacitive loads up to 10 nF.
- On-chip thermal shutdown circuit.

Data taken from manufacturer's data sheet.

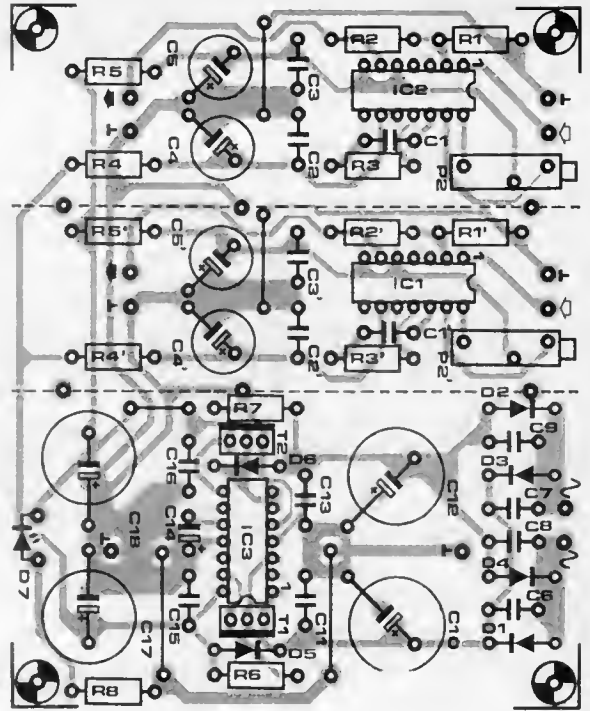
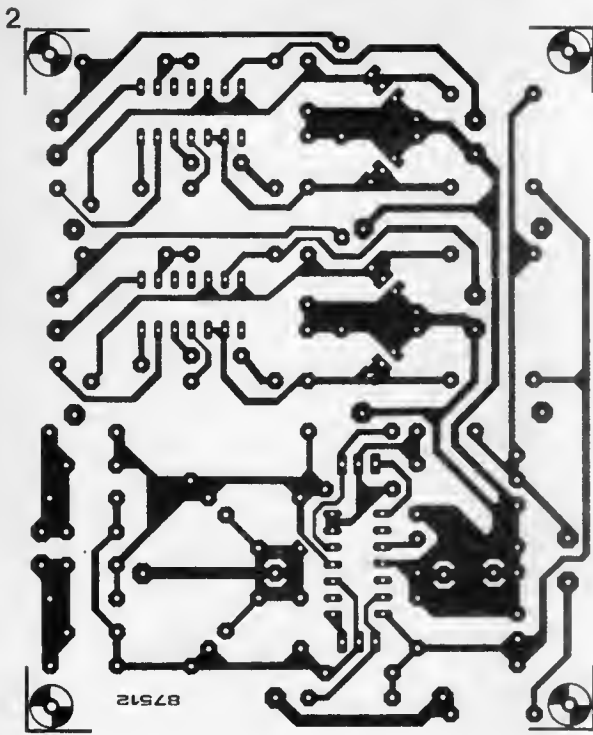


at power-on. Mains-borne interference and clicks from S_1 are suppressed in varistor R_9 and high-voltage capacitor C_{19} . The four diodes in rectifier bridge B_1 are bypassed with rattle suppression capacitors to ensure minimum noise on the supply rails to the opamps.

The headphone amplifier can function optimally only if great care is taken both in the choice of the components and in the construction on PCB Type 87512, details of which are shown in Fig.2. As already stated, the headphone amplifier is suitable for building into the Top-of-the-Range Preamplifier. This makes it possible to feed the ± 15 V regulator from the raw voltage across C_9 (+) and C_{10} (-) of the existing ± 18.5 V supply, while the inputs of the volume control of the headphone amplifier are driven direct from the outputs of IC₄ (R) and IC₄' (L).

Opamps IC₁ and IC₂ should be soldered direct onto the PCB, and are preferably fitted with a DIL-type heatsink. Provision has been made to screen the amplifiers and the supply on the board by means of two sheets of brass or tin plate, which are mounted vertically onto the dotted lines, and secured with three soldering pins each. Series regulators T_1 and T_2 can do without a heat-sink. When the board is complete, its underside should be thoroughly cleaned with a brush dipped into white spirit or alcohol to remove any residual resin. Next, the track side is sealed with a suitable plastic spray.

When possible, use insulated sockets for the stereo input and output of the amplifier. At the input side, few problems are expected to arise when using gold-plated phono sockets mounted onto a separate ABS or epoxy plate. When a good quality, insulated, 6.3 mm, stereo headphone socket proves unobtainable, the nearest alternative is a non-insulated type, whose common tag is connected direct to the ground point on the PCB, between C_{17}



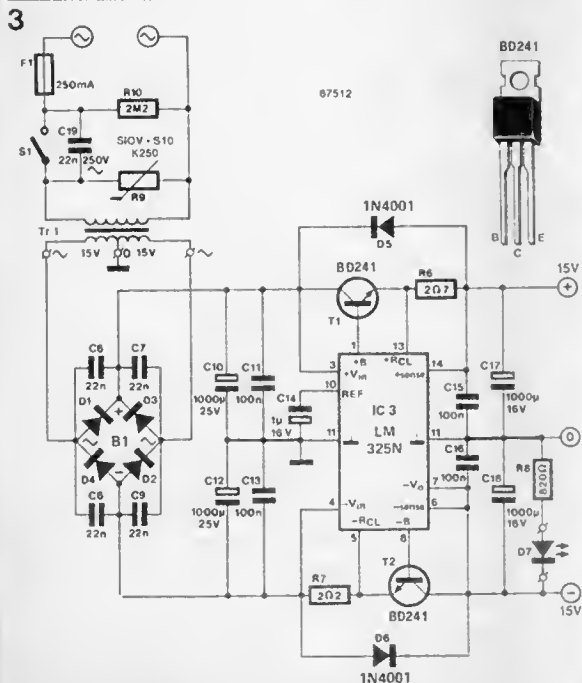
and C_{18} to effect central earthing. Mains transformer Tr_1 is preferably a toroidal type fitted behind a metal screen to ensure minimum hum and other interference picked up by the amplifier inputs. Presets P_2 and P_2' are trimmed for minimum offset voltage at the respective

amplifier output—this is likely to require a very sensitive DMM. The headphone amplifier can be terminated in $100\ \Omega$ to $1\ k\Omega$, and is therefore perfect for use as a high-quality line driver also. The outputs are short-circuit resistant. Finally, a brief summary of the

amplifier's expected performance at $V_o = 6\ V_{rms}$ and $Av_{cl} \approx 6$:
 Total harmonic distortion: 0.0025% (100 Hz); 0.003% (1 kHz); 0.011% (10 kHz).
 Signal-to-noise ratio: $\geq 80\ dB$.
 Response flatness: $\pm 0.4\ dB$ from 10 Hz to 20 kHz.

Literature references:

- ⁽¹⁾ *Top-of-the-Range Preamplifier*. Elektor Electronics, November and December 1986, January 1987.
- ⁽²⁾ *Linear and Conversion Applications Handbook (1986)*. Precision Monolithics Incorporated.



Parts list

- Resistors ($\pm 5\%$):
 $R_1; R_1' = 4K02F^*$
 $R_2; R_2' = 20K0F$
 $R_3; R_3' = 560R$
 $R_4; R_4'; R_5; R_5'; R_6; R_7 = 2R2$
 $R_8 = 820R; 0.5\ W$
 $R_9 = S10V\ S10\ K250$ varistor (Siemens; ElectroValue (0784) 33603).
 $R_{10} = 2M2$
 $P_1 = 25K$ logarithmic stereo potentiometer.
 $P_2; P_2' = 100K$ multitrurn preset.
 Capacitors:
 $C_1; C_1' = 4n7$
 $C_2; C_2'; C_3; C_3' = 220n$
 $C_4; C_4'; C_5; C_5' = 470\mu; 16\ V;$ radial
 $C_6; C_7; C_8; C_9 = 22n$
 $C_{10}; C_{12} = 1000\mu; 25\ V;$ radial
 $C_{11}; C_{13}; C_{15}; C_{16} = 100n$
 $C_{14} = 1\mu; 16\ V;$ tantalum
 $C_{19} = 22n; 250\ VAC$
 $C_{17}; C_{18} = 1000\mu; 16\ V;$ radial
 Semiconductors:
 $D_1 \dots D_6$ incl. = 1N4001

- $D_7 = LED$ red
 $IC_1; IC_2 = OP-50$ (Precision Monolithics Inc.)
 $IC_3 = LM325$
 $T_1; T_2 = BD241$

Miscellaneous:

- $F_1 = 250\ mA$ delayed action fuse plus panel-mount holder.
- $Tr_1 = 2 \times 15\ V; 15\ VA$ ($\approx 2 \times 0.50\ A$) toroidal mains transformer, e.g. ILP Type 03013. Jaytec, (0227) 375254.
- DIL-14 heat-sink for IC_1 and IC_2 .
- Mains entrance socket.
- PCB Type 87512 (available through the Readers Services).
- $S_1 = SPST$ miniature mains switch.
- Stereo 6.3 mm headphone socket, preferably insulated.
- 2 off phone input sockets.
- Suitable metal enclosure.

* See text

* Contact Audiokits Precision Components (see page 62).

16-KEY INPUT FOR MSX MICROS

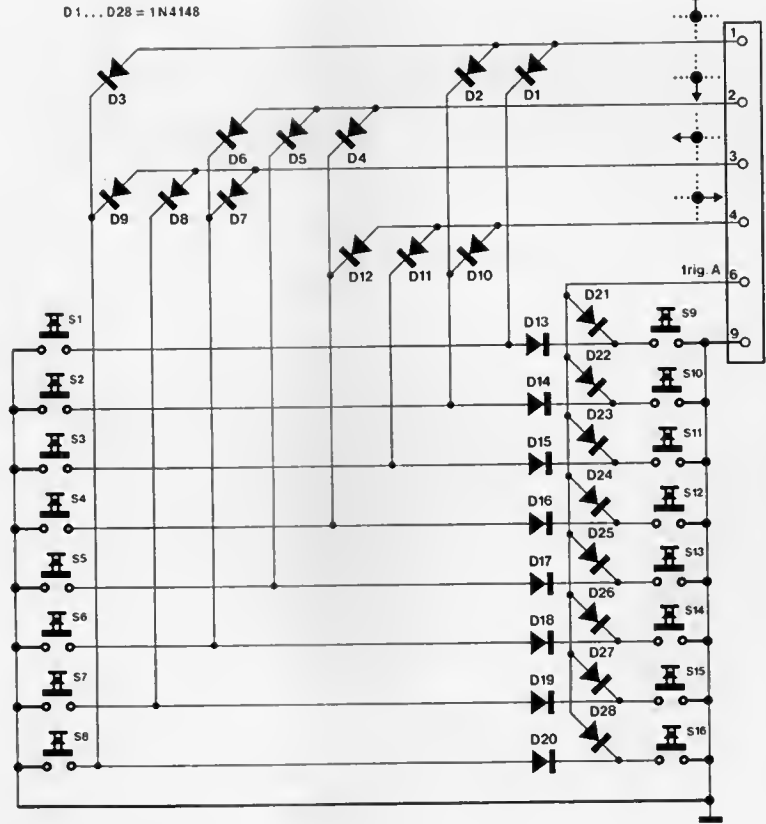
This simple circuit is an unusual, but interesting, application of the joystick port available on an MSX microcomputer. With some modifications, it should also work with other types of computer equipped with a similar "game" input. The use of the joystick port for reading 16 switches is advantageous because very little additional hardware is required, and programmers can avail themselves of standard BASIC instructions relating to the joystick.

On MSX computers, the position of the joystick handle is read with the aid of instruction **STICK(n)**, where n is 1 or 2, i.e., the number of the relevant joystick. The instruction returns an integer between 1 and 8, from which the handle position is deduced as shown in Fig. 1. Instruction **STRIG(n)** enables determining the state of the trigger (fire) button on joystick n, and returns -1 when this is actuated.

A diode matrix is used here to enable connecting eight pushbuttons S₁-S₈ to the four direction inputs on the joystick port. When actuated, either one of these buttons forces a logic low level upon one or two of the input lines, enabling the computer to identify the key number. Eight additional diodes, D₂₁-D₂₈, make it possible to double the number of keys (S₉-S₁₆). These can be kept distinct from the former 8 by connecting them to the trig. A input.

The 16 keys are identified in

2



87457-1

BASIC with the aid of instructions

$X = \text{STICK}(1)$ (or $X = \text{STICK}(2)$)
and
 $Y = \text{STRIG}(1)$ (or $Y = \text{STRIG}(2)$)
so that the key number is simply

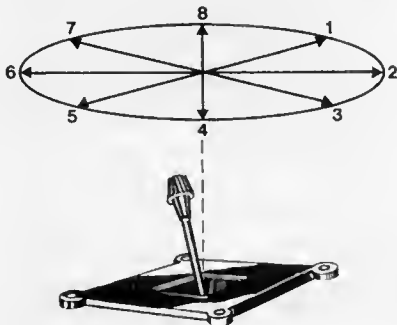
$$Z = X - (Y * 8) + 1.$$

This goes to show how a versatile extension can make good use of existing hardware whilst being controllable with BASIC commands. Finally, Fig. 3 shows the pin assignment on

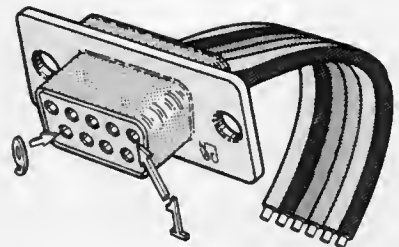
the 9-way sub D connector used for connecting the present circuit to the MSX joystick port.

R

1



3



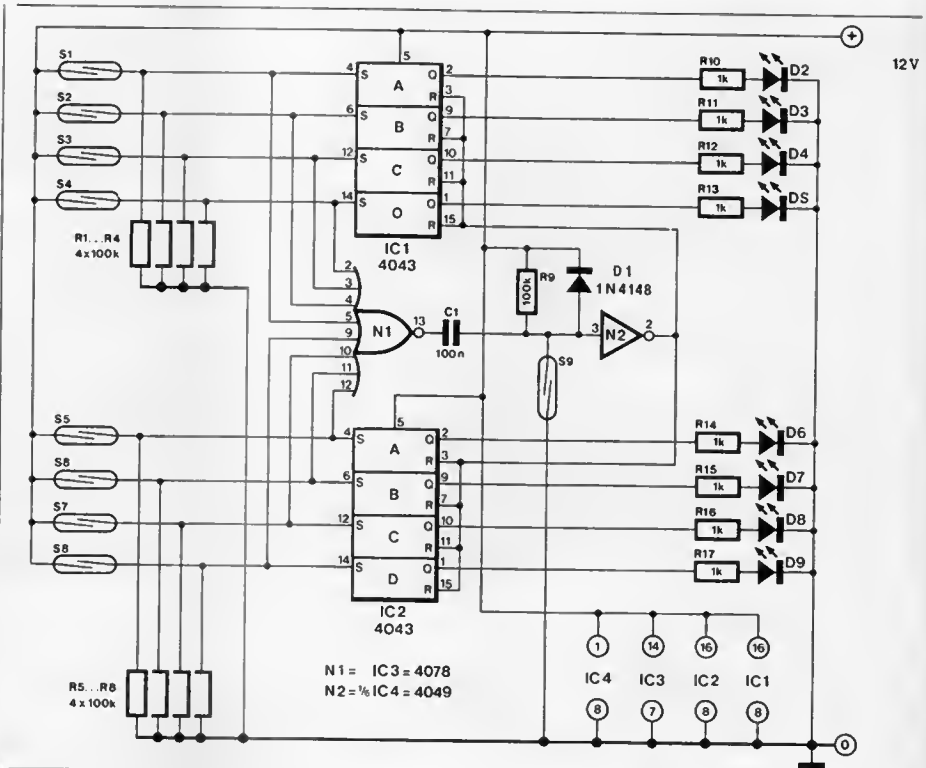
16

SECTION INDICATION FOR MODEL RAILWAY

By E J Carroll

This section indication system may be just the thing you have been looking for when you own a fairly large model railway with tunnels and tracks at several levels, and are sometimes at a loss find the whereabouts of a particular train. This circuit uses LEDs to indicate the train's position. Each track block is split up into 8 sections, whose starting points are marked with reed contacts (S_1 - S_8). A ninth reed contact is fitted at the end of the block, to enable turning off the indication for the relevant length of the track.

The circuit is composed of 8 set-reset (S-R) bistables, which drive a LED each. All SET inputs are combined in a NOR gate, N_1 , which drives a pulse shaper and buffer to reset the bistables with a brief pulse to ensure that only the LED for the last passed track section is lit. The reed contacts are actuated with the aid of a small magnet fitted to the underside of the engine. Depending on the most suitable location of the magnet, the reed contacts are fitted in between the tracks or alongside the left or right hand rail.



Several of these section indication systems may be fitted in series to enable making a control panel with many lights to

indicate the train positions. Observing the direction of travel of the trains, section junctions are fitted with S_9 (end of

previous section) and S_1 (begin of section) located next to each other.

17

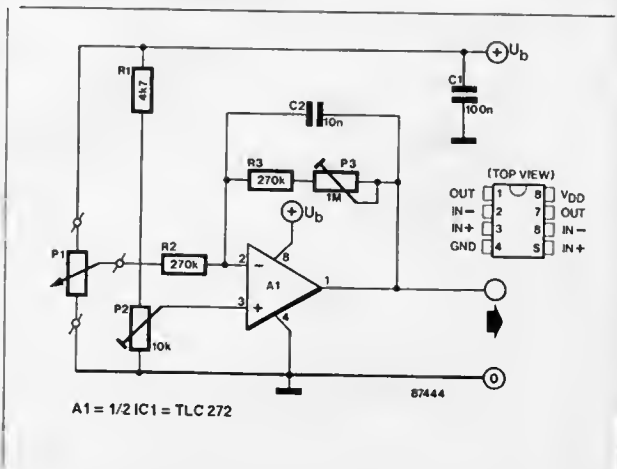
LEVEL ADAPTOR FOR ANALOGUE JOYSTICK

An analogue joystick usually contains two potentiometers, whose wipers are controlled from the central handle on the unit. Unfortunately, the angle covered by the handle is generally only about 90° , whereas the potentiometer's spindle and wiper can be rotated over 270° . The voltage range provided by a potentiometer in a joystick is, therefore, relatively small. Two of the circuits described here make it possible to enlarge the output voltage range of both potentiometers in the joystick. The circuit is readily doubled, thanks to the use of dual CMOS operational amplifier Type

TLC272.

Each of the two wiper voltages from the joystick is processed separately, which enables interesting effects to be achieved. The amplification of the circuit is determined by P_3 . This preset enables the enlarging of the potentiometer's "range" to individual requirements. Preset P_2 serves to shift the operative range of the potentiometer within the limits of the supply voltage, which may lie between 3 and 16 V.

Setting up this circuit is straightforward. Commence with setting P_3 for minimal resistance, i.e., A_1 should give unity gain.



Set the joystick handle to its centre position, so that the wiper of P_1 is at mid-travel. Adjust P_2 to make the output voltage of the circuit equal to $\frac{1}{2}V_{dd}$. Move the joystick handle to the outer positions in the relevant plane, and note the corre-

sponding output voltages from the circuit. Adjust P_3 such that the circuit outputs the required voltage span. The adjustment of P_2 enables changing the toggle point of the circuit, that is, the voltage it outputs when the joystick handle is set to its

centre (rest) position. The current consumption of the circuit depends on the supply voltage level, and also on the value of P_1 . When $V_{dd}=5$ V, and $P_1=4K7$, the current drain is less than 10 mA. The Type TLC272 was chosen because it

works fine from a single supply voltage, and also because it has an extensive input voltage range, 0 to $V_{dd}-1.5$ V.

Th

18

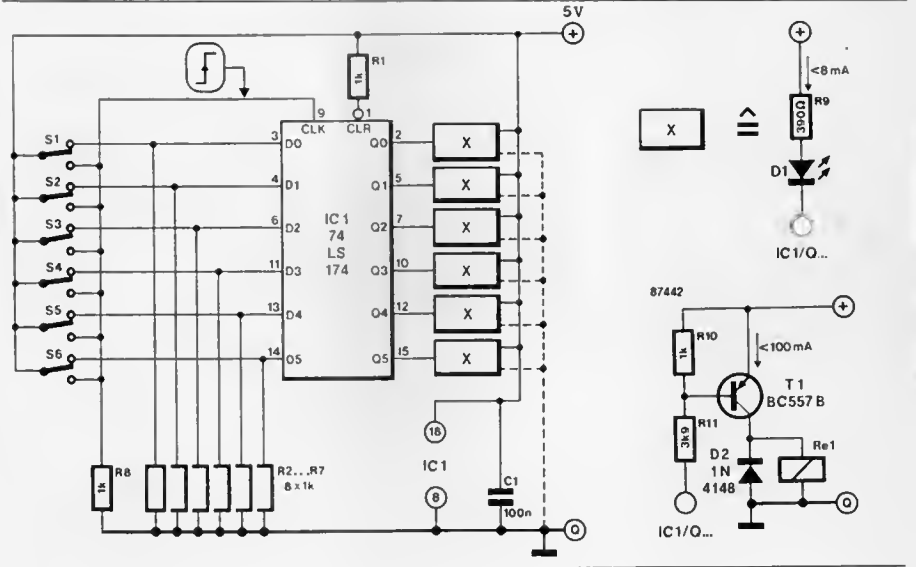
6-WAY CHANNEL SELECTOR

by U Günther

This design proves that a latching 6-way channel selector with debounced switch inputs need not always be based on the use of special integrated circuits. When none of the break-type SPDT push buttons is pressed, the data inputs of IC₁ are held at +5 V, while input CLK is held low via R_8 . When a switch is operated, the associated input of IC₁ goes low, while CLK goes high, so that the logic state of the D_0 - D_5 lines is latched and transferred to outputs Q_0 - Q_5 . Each of these can drive a LED or relay based output circuit as shown.

When more than six switches are required, a 74LS174 may be added, whose clock input is connected to IC₁.

Note that the LS chip may be replaced by a corresponding



version from the HC or HCT family. This will reduce the cur-

rent consumption from about 20 mA to 6 mA. The maximum

output current supplied by IC₁ is 8 mA in all cases.

W

19

TOILET POINTER

by R Kambach

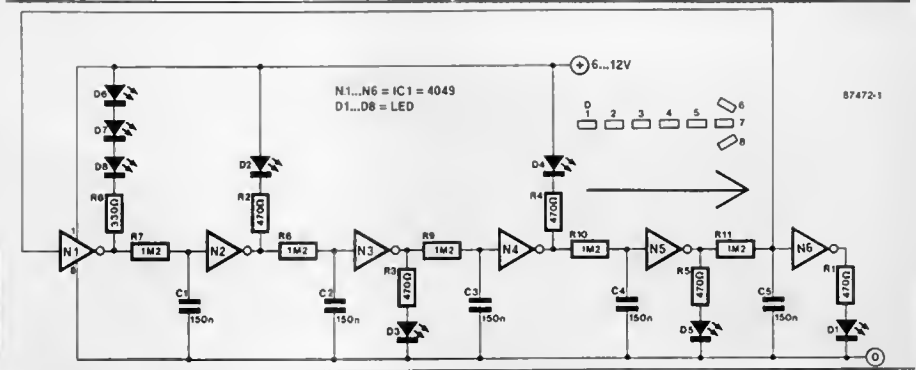
It often happens on parties that numerous guests are at a loss in finding the toilet, and politely but urgently require to be given directions to that effect. The present pointer should be helpful to many, since it captures the attention by successively lighting LEDs that are arranged to form an arrow. The circuit is based on a single Type 4049 integrated circuit, which contains six CMOS inverters. Each of these has an R-C network at its output to ensure an appropriate delay before enabling the next inverter. The outputs of

the chip are capable of driving one LED direct, although some heating is expected to arise

from this. The circuit is conveniently fed from a PP3 (9 V)

battery, and consumes a mere 50 mA.

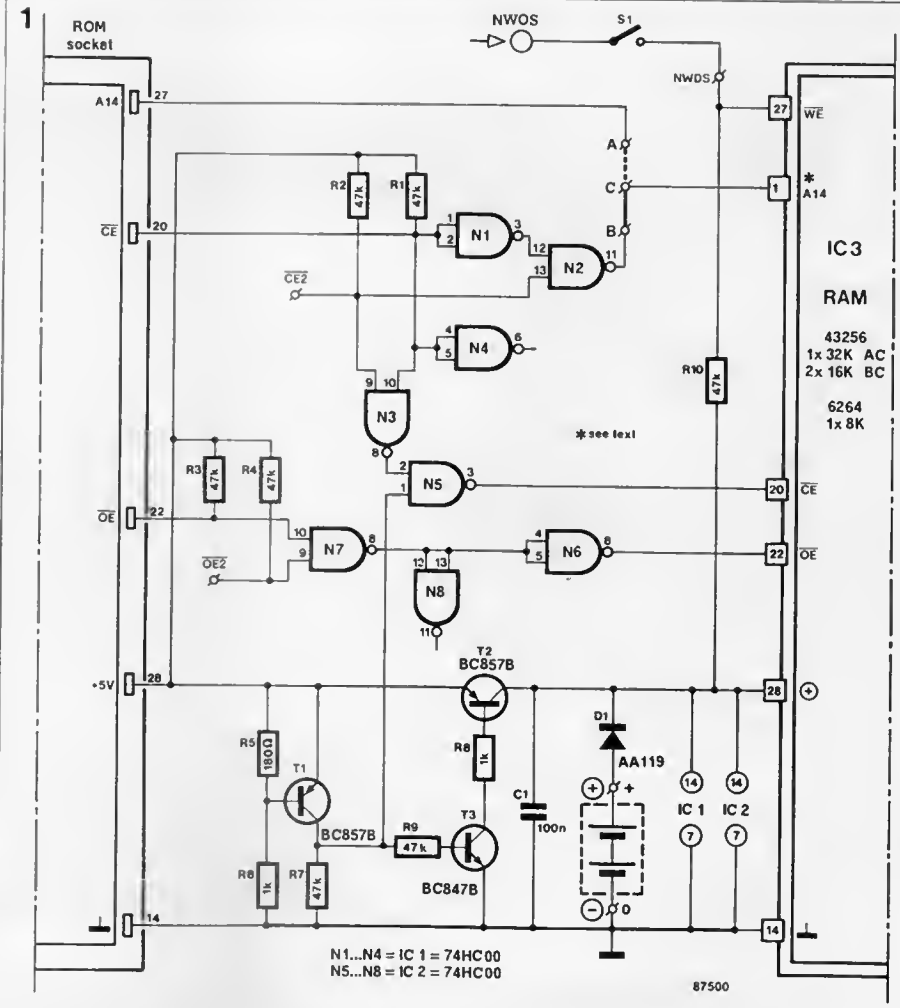
Th



This versatile, exchangeable, memory module should appeal to programmers developing software for computers other than the one being used for writing, testing and debugging the program. The battery back-up function of the module ensures that data is retained, and so makes it possible to use "portable", software that is ROM-based and yet can be altered readily without having to program and erase an EPROM a number of times.

The memory module is based on the use of a Type 43256 32 Kbyte static CMOS RAM from NEC—see Fig. 1. Other 32 K types, such as the 62256, should also work here. A battery (2 button cells, or a 2.4 V NiCd cell when D₁ is bypassed with a resistor to enable charging) enables the chip to retain its contents when the computer is off. When the +5V supply from the computer is on, T₁ drives pin 1 of N₅ high, so that this gate can enable the RAM via the \overline{CE} input. The supply set up around T₁-T₂ then feeds all the chips on the board with about 4.8 V. The drop across the C-E junction of T₂ is less than 0.2 V here since the transistor is driven into saturation. When the computer is switched off, the circuit is fed from the battery via germanium diode D₁. Voltage divider R₅-R₆ causes T₁ to be turned off when the supply level drops below some 4.5 V.

Input 1 of N₅ is grounded via R₇, so that \overline{CE} on the RAM is held high, causing the chip to switch to the power-down (standby) mode. A prototype of the plug-in RAM consumed only 1.5 μ A in the data retention mode, after briefly taking about 3 mA when



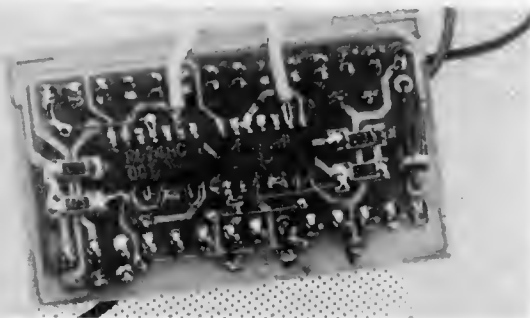
the input voltage dropped from 1.5 to 1 V. This effect is normal, however, and is due to the inputs of the HC gates briefly being in an undefined state. The ICs fitted were Types 74HC00 (SMD) and a 43256C-12L (120 ns).

The module is configured as a 32 Kbyte RAM block by fitting

wire jumper A-C, while jumper B-C selects 2x16 Kbyte. The latter configuration is required when the socket that receives the module is intended for a maximum memory capacity of 16 Kbyte (ROM or RAM), as on the BBC sideways extension board. A Type 6264 RAM can be used in the IC₃ position

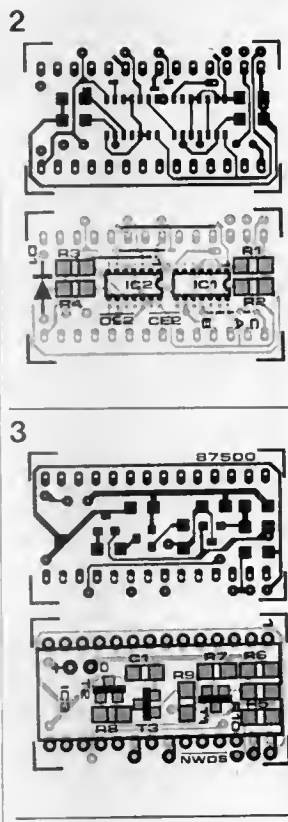
when only 8 Kbytes are required. Neither jumper need then be fitted.

Successfully constructing the RAM module requires great care in soldering the SMA parts onto the board shown in Fig. 2. It is absolutely necessary to first fit all the SMA parts at both sides of the board, then the



three wire links and jumper B-C or A-C as required. Do not forget to solder the terminals of D₁ (not an SMA part), and the battery connections, at both sides of the board. Also, through-contacting with short lengths of component wire should be effected at four locations. Push all the pins of two 14-way IC terminal strips through the straight rows of holes on the component side of the board, i.e. the side that holds the transistors, then solder the pins to the islands on the copper side, i.e., the side that holds the 74HC00s. The pins should protrude at least 4 mm. The use of a centrally cut wire-wrapping socket is not recommended here in view of the thickness of the pins. Locate the pin that protrudes from the hole marked 1, and cut it off. Mount a turned IC pin holder next to pin 28, 27, 22 and 20 of the right-hand side terminal strip, and solder these at both sides of the PCB. These pins should not protrude at the copper side, and their tops should be 1.5 to 2 mm above those in the terminal strip. When it is intended to use the RAM in its 2 × 16 Kbyte configuration, wires are connected to points OE2 and CE2 at the copper side, and guided between pins 5-6 and 9-10 respectively. Remove pin 1 of a standard 28-way IC socket, before carefully push-

fitting this onto the 27 protruding pins at the copper side. Connect the battery supply wires and the wire to S₁ (NWDS) to the respective points at the component side. Use a pair of precision pliers to carefully bend pins 28, 27, 22 and 20 of the 43256 or 6264 slightly to the right of the other pins in the row. This enables pushing these four IC pins in the right of the other pins in the row. This enables pushing these four IC pins in the previously mentioned, separate, socket pins, while the 24 others are inserted in the usual manner. The battery is conveniently mounted at some distance from the module. When a miniature battery is available, this can be fitted underneath the RAM chip. For BBC users: wires OE2 and CE2 are conveniently connected to pins 22 and 20 respectively of a 28-way IC socket for plugging into the adjacent ROM/RAM socket on the BBC's sideways extension board; the NWDS signal is available at pin 8 of IC₇. Switch S₁ is mounted at a convenient location on the computer's rear panel, and when opened inhibits writing into the RAM. It is recommended to open S₁ after turning the computer off to prevent the battery having to supply some 50 μA for prolonged periods: this current flows into the NWDS driver via R₁₀. Non-BBC or Electron Plus-1 users should note that the NWDS signal is the same as



Parts list

Note: all parts Surface Mount Assembly types unless marked *

Resistors:
R₁...R₄ incl.; R₇; R₈; R₁₀ = 47K
R₅ = 180R
R₆; R₉ = 1K0

Capacitor:
C₁ = 100n or 47n

Semiconductors:
D₁ = AA119 *
T₁; T₂ = BC857B or similar pnp SMA type.
T₃ = BC847B or similar npn SMA type.
IC₁; IC₂ = 74HC00 (Do not use HCT types).
IC₃ = 43256C-10/12/15L (NEC) or 62256 LP10/12 32Kbyte CMOS static RAM *

Miscellaneous *:
PCB Type 87500 (see Readers Services page)
2 off 14-way terminal strips with 7 mm pins.
4 off turned pins for IC leads.
Suitable battery (see text, V_b ≥ 2.4 V)

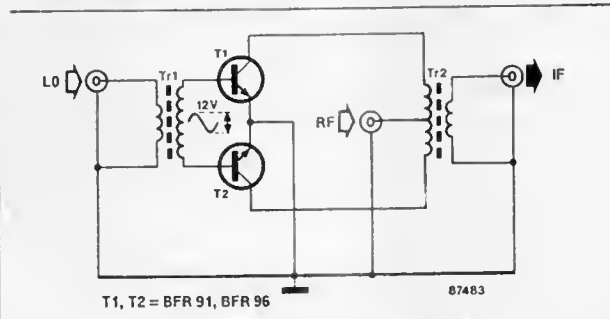
WRITE, not READ/WRITE. The MOVE command in the ADT ROM available for the BBC computer enables exchanging data between resident and sideways memory. Programmers should have little difficulty, however, in writing a short

routine that selects the relevant sideways socket(s) via the socket latch at FE3FH, and copying one or two 16 Kbyte blocks. *Th*
It is regretted that information on software for this project is not available. (Ed).

21

HIGH LEVEL PASSIVE DBM

The mixer is one of the most important sections in any good-quality SW receiver, since it determines to a large extent the sensitivity and the dynamic range. The so-called switching mixer is often used, because it has none of the technical imperfections of active mixers. The most commonly found switching mixer is the diode-based double balanced type (DBM), which is, unfortunately, a notoriously expensive component, especially when a high intercept point is required to ensure low levels of intermodulation. The application of active devices, such as bipolar transistors and J-FETs, in a passive



mixer is less well established. And yet, these components enable the mixer to remain relatively simple, since the RF input signal can be thought of as electrically insulated from the local oscillator output. The

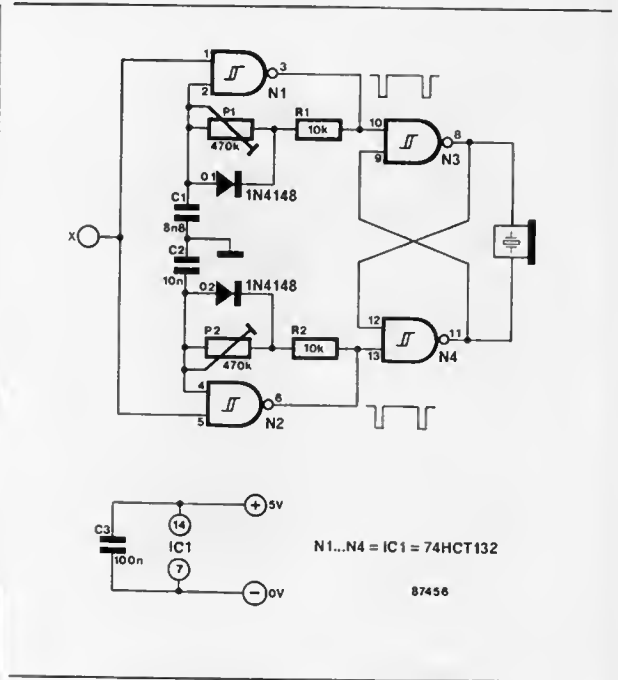
present design is based on a pair of well-known UHF transistors, which require no supply voltage or bias circuits. The input and output transformers are wound on two-hole ferrite cores (Baluns). The

primary of Tr₂ is 8 turns with a centre tap for the RF input, the secondary is 4 turns. Tr₁ is wound such that the indicated LO amplitude is available at the secondary. Only the RF input or the IF output requires correct termination on 50 Ω, the other connections are then fairly uncritical. The input intercept point of this mixer is excellent at between 31 and 36 dBm, while the noise figure and conversion loss are acceptable at about 6 dB. The LO rejection is roughly 25 dB, and depends mainly on the construction. The mixer is suitable for RF and IF signals up to 30 and 50 MHz respectively.

Piezoelectric resonators, also referred to as *buzzers*, are frequently used for providing audible signals in all sorts of electronic equipment. Buzzers are small, light, simple to use, and yet provide a loud output signal. They are either of the passive or of the active type. The former are driven by an AF signal source, while the latter feature a built-in oscillator, and require a direct voltage only. This circuit is a double AF oscillator for driving passive buzzers. It ensures a richer output sound than normally obtainable from a piezo buzzer due to the use of two oscillators, N_1 and N_2 , whose output signal lies between 1 and 10 kHz. Gates N_3 - N_4 form an S-R bistable which is controlled by the outputs of N_1 - N_2 , and drives the buzzer direct. The spectral composition of the output signal is fairly complex, due to

the presence of both the fundamental notes and the difference and sum frequency. The timbre so obtained varies as a function of the ratio between the oscillator frequencies, which are adjustable with the aid of presets P_1 - P_2 . Note that diodes D_1 - D_2 reduce the duty factor of the oscillator signals to about 25%. Optimum effects are achieved when a simple ratio is set between the oscillator frequencies, e.g. 3:4. The resulting waveform is always composed of rectangular signals, but these differ in respect of their period to ensure that the buzzer produces a rather agreeable sound. The buzzer driver is controlled by a logic level applied to point X. The quiescent current consumption is virtually negligible, while about 10 mA is drawn in the actuated state.

D



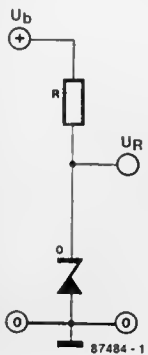
It is generally known that the accuracy of measurements in electronic circuits is mainly a function of the stability and reliability of the reference against which the unknown quantity is compared. Therefore, everything feasible should be done to maintain the stability of the reference, i.e., counteract

the adverse effects of variations in the ambient temperature, supply voltage, and load current. The zener diode in Fig. 1 is a usable reference device for applications where the above three parameters are not subject to appreciable variation. The "super zener" in Fig. 2 features excellent stability and

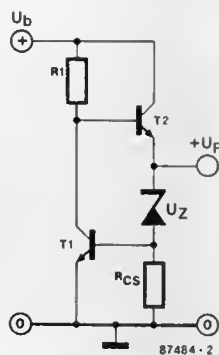
is hardly affected by variations in the supply voltage and the load current. Although the temperature coefficient of the super zener circuit can be optimized by careful dimensioning of the components, there exists a still better way for making a precision voltage reference.

The term *band gap* refers to the difference between two discrete energies of the outer four electrons in a semiconductor atom. Electrons in the highest energy band contribute to the conduction of the material. As the temperature is increased, some electrons gain enough thermal energy to escape from

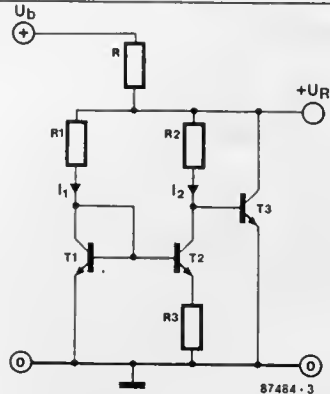
1



2



3



the valence (non-conductive) band, cross the band gap, and enter the conduction band, leaving the valence band unfilled. Thus, conductivity is a function of temperature.

With reference to Fig. 3, the temperature coefficient of current mirror T_1 - T_2 is compensated by that of T_3 . The following conditions should be met if the circuit is to function optimally: (1): $R_2 \approx 10R_1$; (2): R_3 is dimensioned such that $V_R = 1.204$ V; and (3): the transistors are exactly matched. The latter condition is probably best satisfied by using transistors on one and the same chip carrier, e.g. those in a transistor array such as the Type CA3083. The value of R de-

pends on the supply voltage and the maximum output current. It should be noted that T_3 carries the output current if the circuit is not loaded, so that the resulting dissipation may give rise to temperature differences on the chip. It is, therefore, recommended to permanently load the band-gap reference. The accompanying calculations prove that the output voltage of the circuit is not affected by temperature variations.

SV

Band-gap reference.

The reference voltage, U_R , is obtained from

$$U_R = U_{BE12} + I_2 T_2$$

R_1 and R_2 are dimensioned such that $I_1 = 10I_2$, so that R_3 drops $[U_{BE11} - U_{BE12}]$ volts.

When the current amplification of T_2 is sufficiently high, R_3 carries virtually all current I_2 :

$$I_2 = \frac{U_{BE11} - U_{BE12}}{R_3} \text{ whence}$$

$$U_R = U_{BE12} + \frac{U_{BE11} - U_{BE12}}{R_3} R_2 / \beta_2$$

For identical transistors U_{BE} is given for different values of I_{EF} as

$$U_{BE11} - U_{BE12} = kT/q \log(I_1/I_2)$$

U_{BE} of T_3 is also expressed as

$$U_{BE13} = U_{BE1} - T/T_0 + U_{BE0}(T/T_0)$$

so that U_R can be written as

$$U_R = U_{BE0}(1 - T/T_0) + U_{BE0}(T/T_0) + R_2/R_3 kT/q \log(I_1/I_2)$$

Differentiating this to the temperature domain yields

$$dU_R/dT = -U_{BE0}/T_0 + U_{BE0}/T_0 + R_2/R_3 k/q \log(I_1/I_2)$$

if R_2 , R_3 and I_1 are dimensioned such that

$$R_2/R_3 \log(I_1/I_2) = (U_{BE0} - U_{BE0}(T_0/T_0))/C$$

where $C = q/kT_0$

which results in

$$dU_R/dT = 0 \text{ (OED).}$$

k = Boltzman's constant (1.3805×10^{-23} J/K).

T = absolute temperature [K].

q = charge of an electron (1.6021×10^{-19} C).

U_{BE0} = band-gap potential (1.204 V).

U_{BE0} = base emitter voltage at $T = T_0$.

e = the base of natural logarithms (2.71828).

24

CURRENT MONITOR AND ALARM

by R Kambach

These circuits are intended for remote monitoring of the current consumption on the domestic mains line.

The circuit in Fig. 1 lights the signal lamp upon detecting a mains current consumption of more than 5 mA, and handles currents of several amperes with appropriate diodes fitted in the D_1 and D_2 positions. Transistor T_1 is switched on when the drop across D_1 - D_2 exceeds a certain level. Diodes from the well-known 1N400x series can be used for currents of up to 1 A, while 1N540x types are rated for up to 3 A. Fuse F_1 should, of course, be dimensioned to suit the particular application.

A number of possible transistor types have been stated for use in the T_1 position. Should you consider using a type not listed, be sure that it can cope with surges up to 700 V. As long as T_1 does not conduct, the gate of the triac is at mains potential via C_1 , protective resistor R_2 and diode D_3 , which keeps C_1 charged. When T_1 conducts, alternating current can flow through the capacitor, and the triac is triggered, so that La_1 lights.

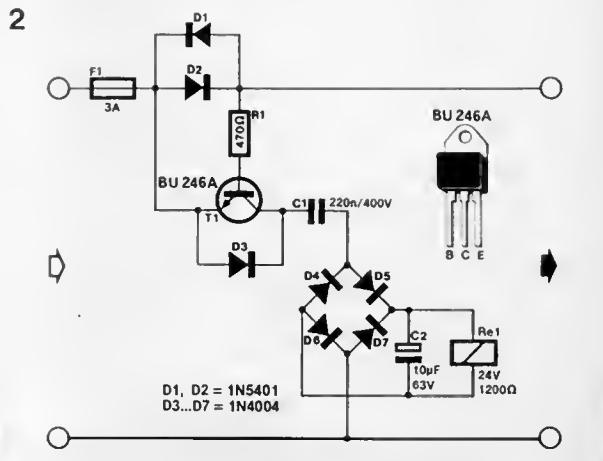
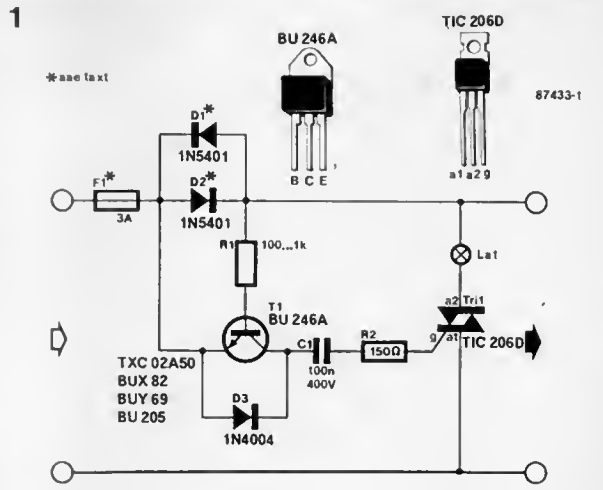
The circuit in Fig. 2 is a current triggered alarm. Rectifier

bridge D_4 - D_7 can only provide the coil voltage for Re_1 when the current through D_1 - D_2 exceeds a certain level, because then series capacitor C_1 passes the alternating mains current. Capacitor C_1 may need to be dimensioned otherwise than shown to suit the sensitivity of the relay coil. This is readily effected by connecting capacitors in parallel until the coil voltage is high enough for the relay to operate reliably.

W

Finally, an important point:

Many points in these circuits are at mains potential and therefore extremely dangerous to touch.



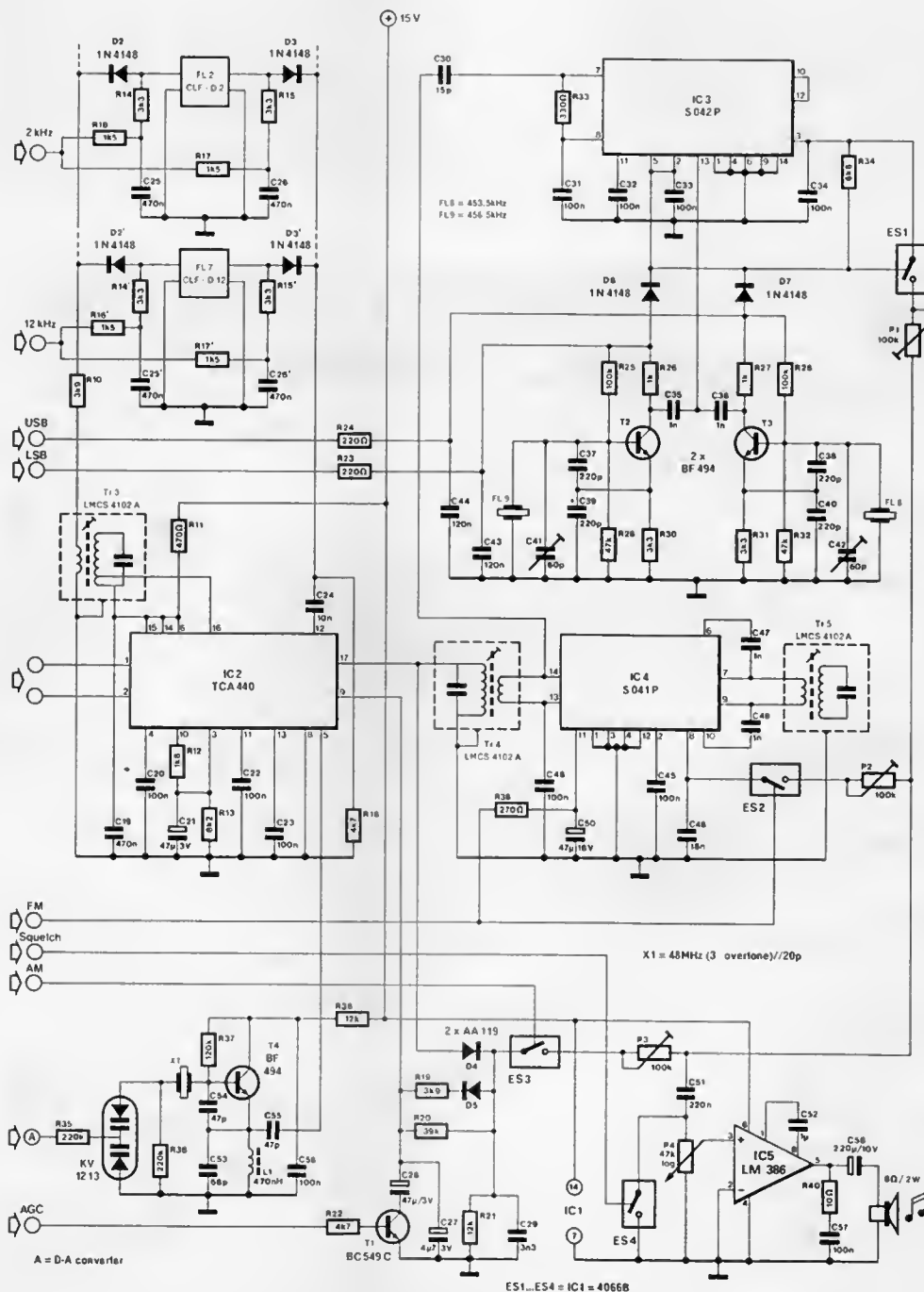
The intermediate frequency (IF) module shown in Fig. 1 accepts 48 MHz, and is suitable for receiving AM, FM and SSB transmissions. CW reception

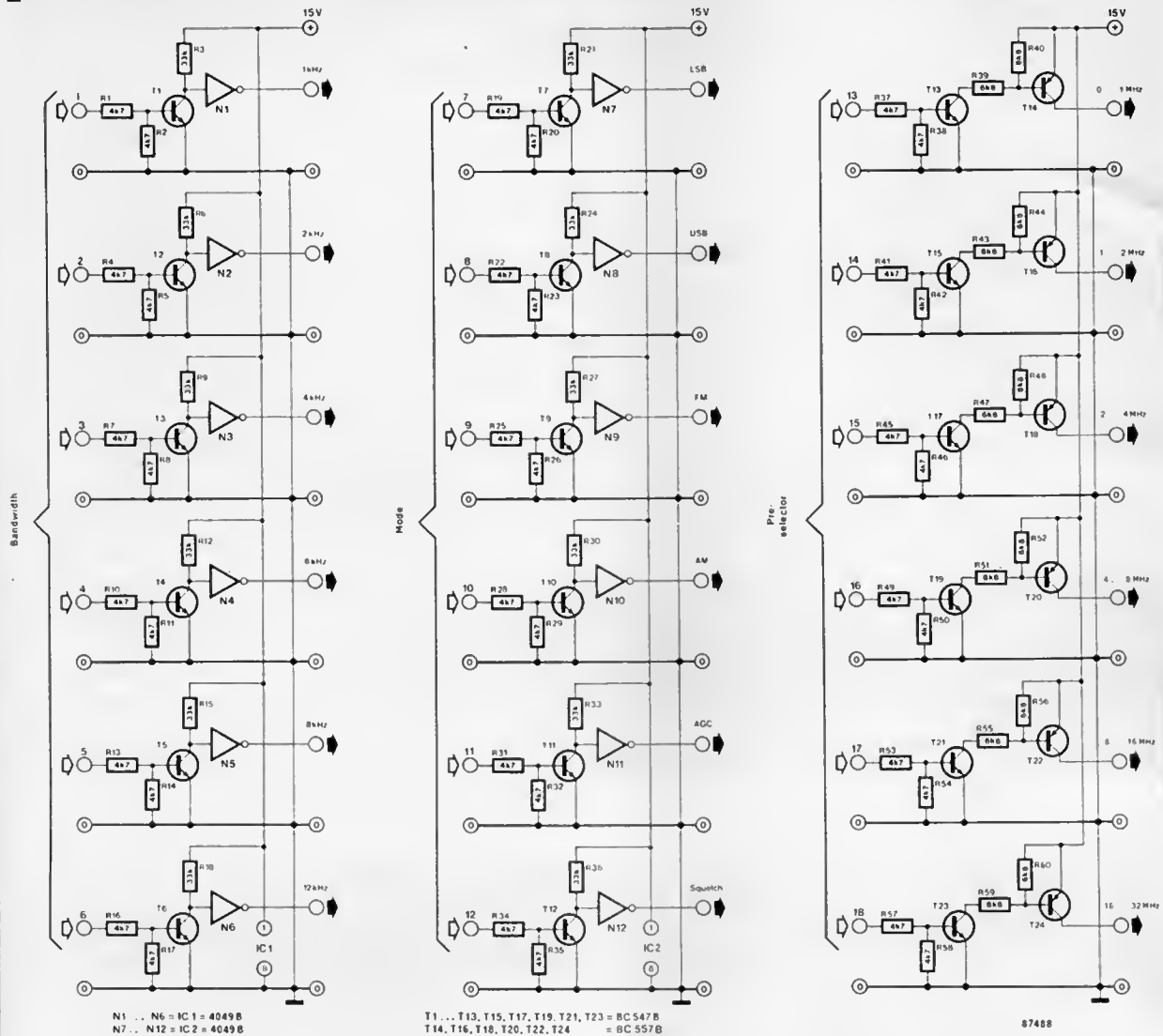
should also be possible in the SSB mode when a sufficiently narrow bandfilter is included (BW < 500 Hz). For radio-teletype (RTTY), it is best to

drive a comparator from the FM detector output. There is no need for a high level mixer to convert the input down to 455 kHz, since the 48 MHz

signal has already been filtered and occupies a bandwidth of only 12 kHz. The RF and mixer stages in the TCA440 operate up to 50 MHz, while the built-in

1





AGC has a dynamic range of about 100 dB. The mixer output is fed to diode switches to enable digital selection of the appropriate bandwidth.

The proposed selection circuit ensures a filter separation of the order of 80 dB. The choice of the 455 kHz filters is governed by the particular application and the financial means available. The CLF-D12 and CLF-D2 are for FM/AM and SSB respectively; the number in the type indication stands for the bandwidth. The Type CLF-D4 or CLF-D6 can be used equally well for communication quality AM. Unfortunately, narrow-band filters for CW and RTTY are difficult to obtain, but "add-on" 500 Hz or 250 Hz filters for commercially available receivers and transceivers (Yeasu,

Kenwood) can be used here with excellent results.

The IF output from IC₂ is rectified for the AM and AGC sections, and inductively fed to FM detector IC₄ as well as to product detector IC₃. Note that in general no AGC action is required in the FM and RTTY mode. The BFO for the product detector is based on USB and LSB ceramic resonators, which are found in most SW receivers of far Eastern origin, but may be difficult to obtain as a one off. The circuit around T₄ is a voltage-controlled 48 MHz crystal oscillator (VCXO) that operates in the parallel mode, requiring due attention to be paid to the correct output frequency if a common, series-resonant crystal is used. The synthesizer for tuning the pro-

posed receiver outputs 1 kHz steps, so that a D-A converter is required for driving the VCXO input. A resolution of 10 Hz should be adequate to ensure smooth and reliable tuning.

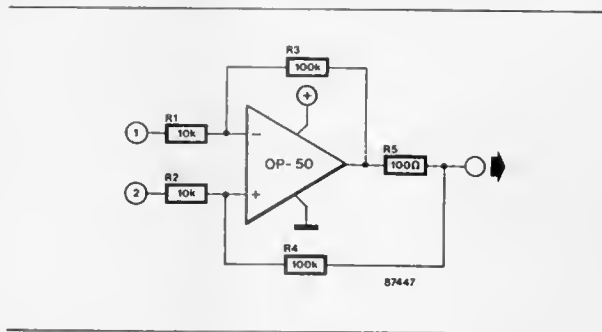
The computer interface for controlling the receiver is shown in Fig. 2. This is essentially a 5 V to 15 V logic level converter with TTL/CMOS compatible control inputs. The remote control of the receiver obviates the need for this to be housed in a neat enclosure. Albeit that the receiver therefore need not have a "desktop" appearance with all the controls fitted on a front panel, it is, of course, still necessary to provide for adequate screening and thermal stability. Sufficient AF power is available from IC₅ to drive a relatively long cable to the

loudspeaker enclosure, which is located near the computer. The receiver can be controlled from any computer that has three 8-bit output ports based on, for instance, Type 74LS374 octal latches. A receiver function is enabled when a logic 1 is written to the respective input. Example: 4 kHz bandwidth is selected by driving BANDWIDTH input 4 high, and the remaining five low. Writing a computer program for controlling the receiver should not be too difficult if the following sequence is observed: 1. actuate the squelch; 2. reset all bits on the relevant control port; 3. set the required bit; 4. turn off the squelch.

A current source based on an operational amplifier alone is likely to be less known than the combination of an opamp and a transistor. This latter circuit can, however, only supply a unidirectional current, and must incorporate a stable reference capable of sourcing the required current. The circuit proposed here is different from the usual design for a current source, because it has a real differential, high impedance, input.

In spite of the small number of components in this circuit, its operation may not be apparent at a glance. An example calculation example may help to clarify how the current source works.

Assuming that 10 V is applied to input 2, and 4.5 V to the output, the voltage drop across R_2 is 0.5 V, and that across R_4 is 5 V. It will be recalled that the output voltage of a current source is



determined by the value of the external resistance. The current passed through this gives rise to a voltage drop that need not be constant.

When input 1 is 1 V more positive than input 2, the following circuit potentials can be deduced:

The + input of the opamp is at +9.5 V, because R_2 drops 0.5 V. The operational amplifier starts regulating its output voltage until it detects equal voltages at

its + and - input. The voltage drop across R_1 thus rises from 0.5 V to 1.5 V, while that across R_3 is increased tenfold, i.e., amounts to 15 V. The output voltage of the opamp is then $11 - 1.5 - 15 = -5.5$ V. When it is recalled that the output voltage of the circuit is +4.5 V, the drop across R_5 amounts to $4.5 - (-5.5) = 10$ V. Since $R_5 = 100\Omega$, the current is $10/100 = 100$ mA.

It is also possible to establish

the output current of the circuit as follows. The amplification is $10 (R_3/R_1)$, and the output voltage is available across R_5 , which therefore carries a current of $U_i \times 10/100$, or $U_i/10$.

This circuit is probably best operated on the basis of power opamps, such as the Types L149 and L150 from SGS-Ates, which can handle currents of several ampères. The Type OP50 stated in the circuit diagram is suitable for relatively low output currents ($I_{max} = 50$ mA), and features excellent stability and precision. Its manufacturer, PMI, states that this application of the opamp is capable of handling resistive, capacitive or inductive loads equally well.

W

Source: PMI, *Analog Applications Seminar 1986: Current transmitter (Howland current pump)*.

AUTO FOCUS FOR SLIDE PROJECTOR

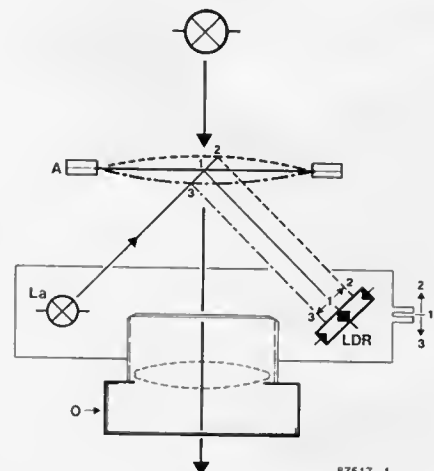
This circuit is intended as a replacement for the electronics in a partly or wholly defective autofocus driver in a slide projector. The mechanical parts in the autofocus system are assumed to be still functional.

Most automatic focusing systems in slide projectors are based on the use of an optical module, which comprises a small lamp, a few lenses and mirrors, and a light sensor made from two series-connected light dependent resistors (LDRs), which function as a potential divider. As shown in Fig. 1, lamp L_a projects a narrow beam onto the centre of the slide, A, whose surface reflects it onto the LDRs. When the slide surface bulges inside or outside, the projected image on the screen is blurred, and the beam from L is received on the surface of one of the LDRs

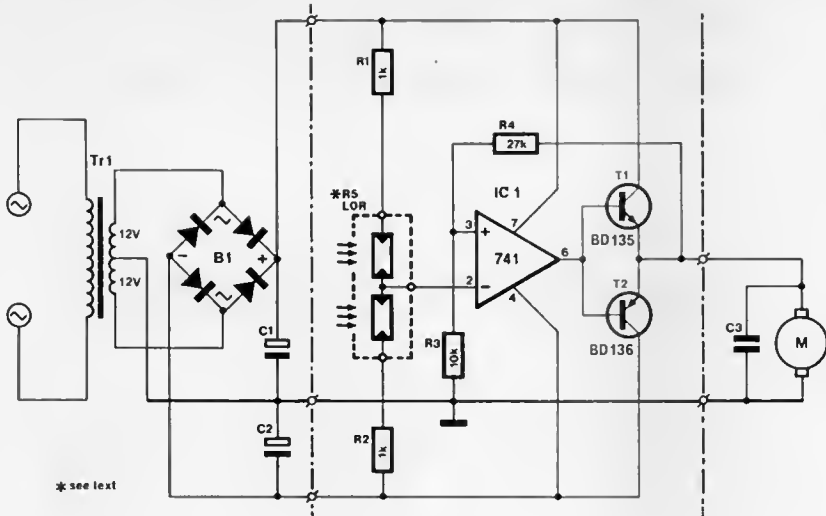
(point 2 or 3). This is detected by a motor driver circuit, which ensures that the focal distance between the objective, O, and the slide surface is corrected to maintain a sharp image, i.e., the objective is moved until the circuit detects that the reflected beam from L falls exactly in between the LDRs (point 1).

The circuit is based on the use of an existing set of LDRs as part of the optical module in the slide projector. The symmetrical supply shown to the left, and the motor plus decoupling capacitor, are also part of the projector. The inverting input of opamp IC₁ is at ground potential when the above mentioned test beam falls in between the LDRs. The output of the opamp keeps the non-inverting input at 0 V as well, so that no motor voltage is available at the emitters of power drivers T_1, T_2 .

1



87517-1



* see text

Should the reflected beam illuminate either one of the LDRs, the circuit arranges for the motor to move the objective glass towards the correct focal position, until no voltage difference between the LDRs is detected.

The feedback gain of the circuit has been kept relatively low to keep the motor from continuously moving the objective glass past the target position, causing the system to oscillate slowly. Resistors R₃ and R₄ may have to be dimensioned differently than shown to achieve optimum response as regards speed and stability.

R

28

DRIVE SELECTOR

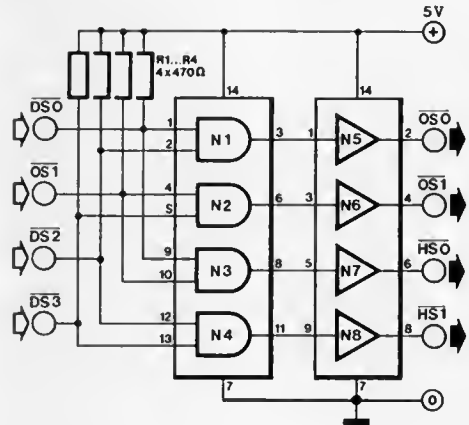
This circuit makes it possible to use double-sided disk drives with a computer that supports only single-sided units. Many of the older generation of computers were designed to operate in conjunction with Shugart-compatible, single-sided disk drives. These have rapidly been superseded, however, by the more economical double-sided drive, which has a greater storage capacity.

The Shugart standard supports the use of four disk drives, which are selected with drive select lines DS₀-DS₃. Two further lines, HS₀ and HS₁, control the head selection on each of these drives. When this circuit is installed between the computer's disk controller output and two double-sided drives, the disk operating system (DOS) can recognize four logical drives. When the computer selects drive A or B, the situation is similar to before the conversion. Selection of drive C or D, however, causes the second head in the relevant drive A or B to be activated. In this way, the total storage capacity of the double-sided drives is available even under "primitive" circumstances.

Note that the use of drive denotations A-B-C-D or 0-1-2-3 is

particular to the type of computer, or the DOS version. Finally, Table 1 provides information about the combination of the original four DS lines into two HS and two DS lines.

D



87445

N1...N4 = IC1 = 74LS08, 74HCT08
 N5...N8 = 1/2 IC2 = 7407

Table 1

logical drive	DS ₃	DS ₂	DS ₁	DS ₀	→	DS ₀	DS ₁	HS ₀	HS ₁	=	physical drive	
A (1)	=	1	1	1	0	→	0	1	0	1	=	A side 0
B (2)	=	1	1	0	1	→	1	0	0	1	=	B side 0
C (3)	=	1	0	1	1	→	0	1	1	0	=	A side 1
D (4)	=	0	1	1	1	→	1	0	1	0	=	B side 1

This program enables users of the popular Commodore C64 home computer to exchange messages between two machines.

No hardware whatsoever is needed to accomplish:

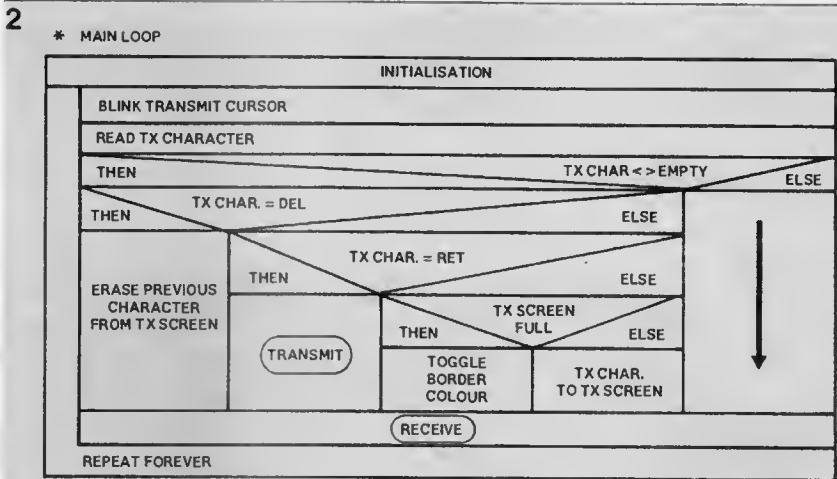
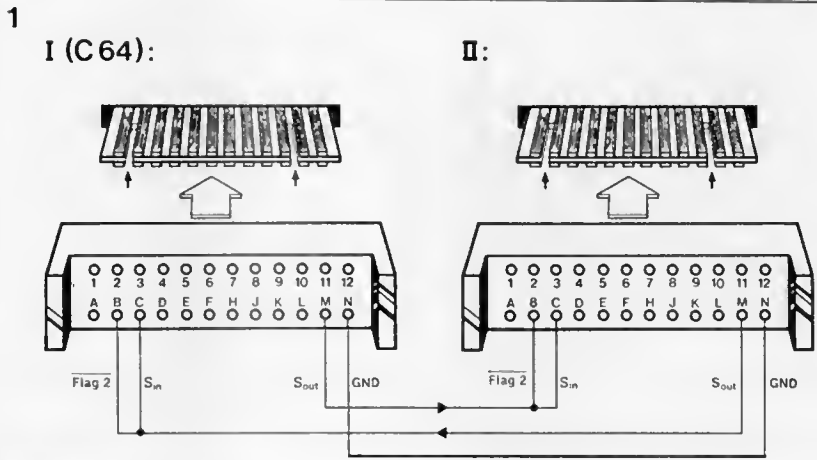
- communication over several tens of metres using a three-wire connection—see Fig.1. Longer distances, or communication over the telephone, of course require the use of a modem.
- split screen operation: the upper half of the screen displays the operator's input (LOCAL), the lower half displays the received messages (REMOTE).
- full duplex communication, i.e. transmission and reception are quasi-simultaneous processes.

The flowcharts in Fig.2 illustrate the structure of the proposed program. TX is short for transmitter, RX for receiver. Note that screen pointer updating routines are not apparent from these diagrams.

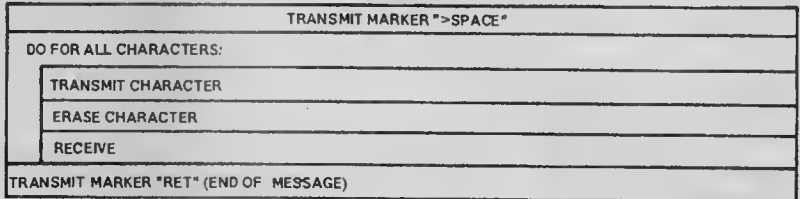
Unfortunately, since the C64 BASIC interpreter does not allow structured programming to be carried out, the constructs shown in the flowcharts are not readily detected in the practical BASIC program listed in Fig. 3. Keyed-in text is transmitted to the far computer after pressing the RETURN key. The BORDER colour changes to warn the user when the screen is full. Typing errors can be corrected in the usual way with the aid of the INST/DEL key. A short beep is sounded to signal the receipt of a message from the REMOTE computer.

Testing the program is straightforward, and does not require two computers. Figure 4 shows the connections that can be made temporarily on the computer's user port. This creates a zero modem, and causes LOCAL text to be echoed on the REMOTE screen.

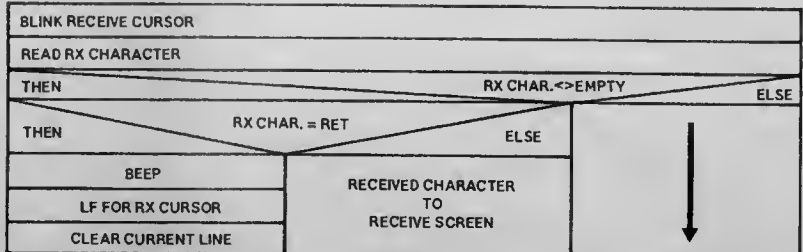
For those computer enthusiasts interested in analysing the BASIC program, and for those who intend to rewrite it for



* TRANSMIT SUBROUTINE



* RECEIVE SUBROUTINE



other types of computer, the function of the major lines can be summarized as follows:

100-125: initialize the screen and the sound generator.

130: open the serial port with parameters 300 baud, 8 data bits, 1 stop bit, no parity, no handshaking, full duplex.

140: T is the base address of the transmit screen, and T0 is the associated index. R and R0 are similar variables for the receive screen, while R1 in addition gives the maximum number of character per line.

160: blink the cursor and read the keyboard buffer.

180-200: test for DELETE, and erase the previous character.

210-230: test for RETURN and transmit message.

240-260: toggle the BORDER colour when the screen is full.

270: go to the receive subroutine.

280: repeat the above loop.

710: transmit the "begin of message" marker.

720-750: transmit and erase all characters. Monitor the receive channel for messages, after transmission of every character, reception has the highest priority.

760: transmit the "end of message" marker.

810: blink the cursor and read the receive buffer.

820: buffer empty?

830: end of message.

840: have the sound generator produce a beep.

850-870: advance the cursor to the next line.

880: clear the new line.

900: display received character on REMOTE screen.

910-920: advance cursor to next position.

W

3

```

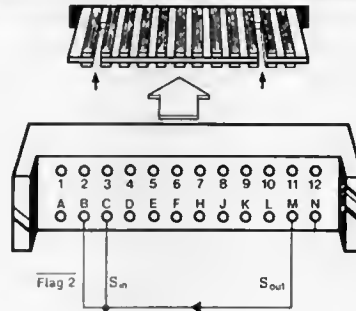
100 POKES3281,12:PRINT"":POKES3280,9:POKES3281,0:PRINT CHR$(1S2):POKES3272,23
110 S1=54272:POKE 24+S1,15:POKE S1,207:POKE 1+S1,34:POKE 5+S1,10
120 FOR H=1033 TO 1044: READ A: POKE H,A: NEXT H
125 FOR H=1273 TO 1283: READ A: POKE H,A: NEXT H
130 OPEN 2,2,0:CHR$(6)+CHR$(0)
140 T=1104: T0=0: R=1344: R0=0: R1=0
150 REM MAIN
160 POKE T+T0,60: POKE T+T0,32: GET T$
170 IF T$="" THEN GOTO 270
180 IF T$<>CHR$(20) THEN GOTO 210
190 IF T0>0 THEN T0=T0-1
200 POKE T+T0,32: GOTO 270
210 IF T$<>CHR$(13) THEN GOTO 240
220 GOSUB 700
230 GOTO 270
240 IF T+T0>=R-80 THEN GOTO 260
250 POKE T+T0,ASC(T$): T0=T0+1: GOTO 270
260 POKE 53280,1: FOR H=0 TO 15: NEXT H: POKE 53280,9
270 GOSUB 800
280 GOTO 150
700 REM TRANSMIT
710 PRINT#2,CHR$(62);: PRINT#2,CHR$(32);
720 FOR K=T TO T+T0-1
730 PRINT#2,CHR$(PEEK(K));: POKE K,32
740 GOSUB 800
750 NEXT K
760 PRINT#2,CHR$(13);: T0=0
770 RETURN
800 REM RECEIVE
810 POKE R+R0,60: POKE R+R0,32: GET#2,R$
820 IF R$="" THEN GOTO 930
830 IF R$<>CHR$(13) THEN GOTO 900
840 POKE S4276,0: POKE 54276,33
850 IF R1=40 OR R1=0 THEN GOTO 870
860 POKE R+R0,32: R1=R1+1: R0=R0+1: GOTO 850
870 R1=0: IF R+R0=2024 THEN R0=0
880 FOR H=R+R0 TO R+R0+39: POKE H,32: NEXT H
890 GOTO 930
900 POKE R+R0,ASC(R$): R0=R0+1: R1=R1+1
910 IF R1=40 THEN R1=0
920 IF R+R0=2024 THEN R0=0
930 RETURN
950 DATA 42,32,84,82,65,78,83,77,73,84,32,42
960 DATA 42,32,82,69,67,69,73,86,69,32,42
970 END

```

READY.

4

C64:



30

FLASHING REAR LIGHT

by J Donhauser

This rear light for bicycles is fed from a battery charged with current from the dynamo, and starts to flash when the cyclist halts. To preserve battery power, the unit automatically switches off 4 minutes after halting.

The circuit is essentially composed of a battery charger and a logic switching section. The NiCd battery is charged from a voltage doubler C₁-C₂-D₁-D₂-C₃ to ensure a charge current of about 20 mA when riding at a reasonable speed. This makes it possible for a charge of 3 mAh to be available after a 10

minute ride, i.e., enough for the light to flash for about 4 minutes after the bicycle is halted. A relay is used to switch between operation while riding and while standing still. When the bicycle is in motion, the voltage from the dynamo, G, ensures that N₄ is enabled, so that T₁ actuates Re, and the small 6 V

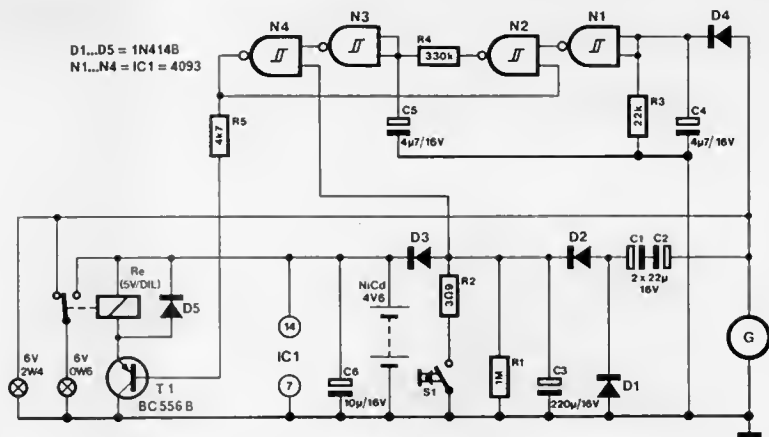
bulb is illuminated. Since C₃ is only slowly discharged via R₁, N₄ remains enabled for about 4 minutes after halting. Push-button S₁ enables immediately switching off the rear light, because R₂ then discharges C₃ in a few seconds.

Gate N₁ monitors the dynamo voltage, which is rectified by

D₄-C₄-R₃. When the direct voltage drops below approximately 2 V, N₁ switches on multivibrator N₂-N₃-N₄ which causes the relay to toggle at a rate determined by R₄-C₅. The 5 V DIL relay requires only 11 mA, while the current consumption of the 4093 is virtually negligible at about 1 μA.

It should be possible to fit the circuit and the battery in a somewhat larger than normal bicycle headlight, equipped with terminals for connecting the dynamo and the rear light. Of course, due care must be taken to avoid the battery contacts touching the metal inside of the light.

R



87446

31

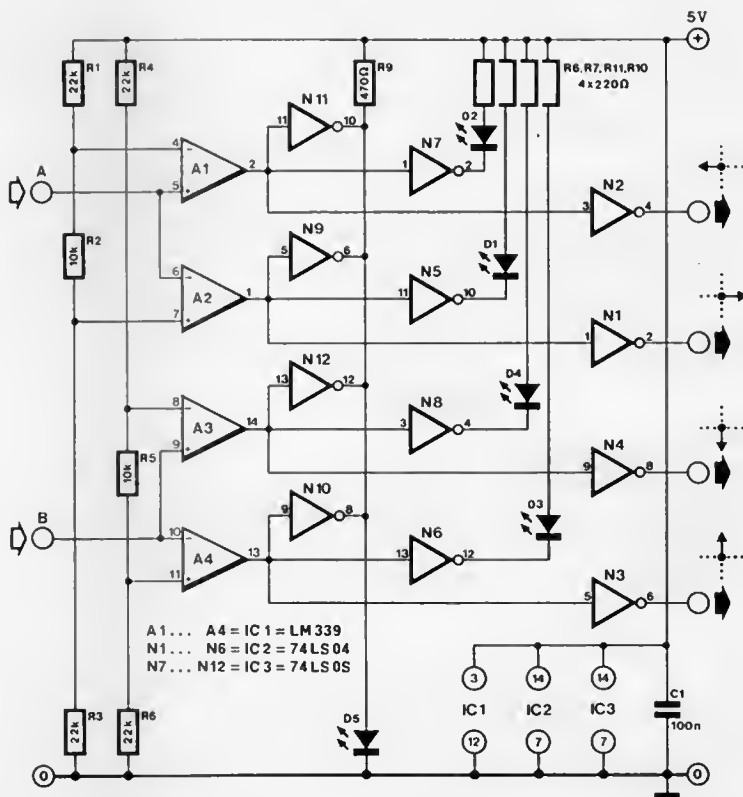
A-D CONVERTER FOR JOYSTICKS

From an idea by F Berben

Although joysticks come in an astounding variety of versions, their internal organization is virtually always a standard concept, based on either a set of relatively fragile, springy, membrane contacts, or two potentiometers. Many computer enthusiasts will agree that the latter, analogue, type offers better reliability and quality. Unfortunately, however, these can not be used in conjunction with a popular home micro such as the Commodore C64, and that is where the present circuit comes in.

The four comparators in IC₁ function as switches to translate the handle movement into digital signals. The outputs of the comparators are buffered in IC₂ to enable interfacing to the computer's joystick port. The two remaining inverters in IC₂, N₅ and N₆, along with two inverters in IC₃, N₇ and N₈, are set up as a wired NOR function to enable LED D₅ to light when the joystick handle is in the centre position. Finally, the current consumption of the converter is about 25 mA.

D



87417

DIGITAL VOLUME CONTROL

Many of today's HiFi amplifiers feature a "clicking" volume control, but this is only rarely a real stepped attenuator based on a wafer switch. In nearly all cases, this expensive system is based on a normal potentiometer, whose spindle is fitted with a mechanical construction to simulate the stepping movement. A normal rotary switch is not suitable for adjusting the volume of an amplifier because it briefly disconnects the input from the signal source when operated, and so readily gives rise to clicks and contact noise. Different problems crop up when designing an electronic volume control. Of these, distortion is probably the hardest to master, but reasonable results are still obtainable, as will be shown here.

Basically, there are two methods for making an electronic potentiometer. One is to create a tapped resistor ladder (which is not much different from a normal potentiometer), the other is to change the resistance of the two "track sections" such that the total resistance remains constant. The circuit proposed here is based on the second method, and features 16 steps in its basic form. The number of steps can be increased to, say, 64 by adding four switches and resistors.

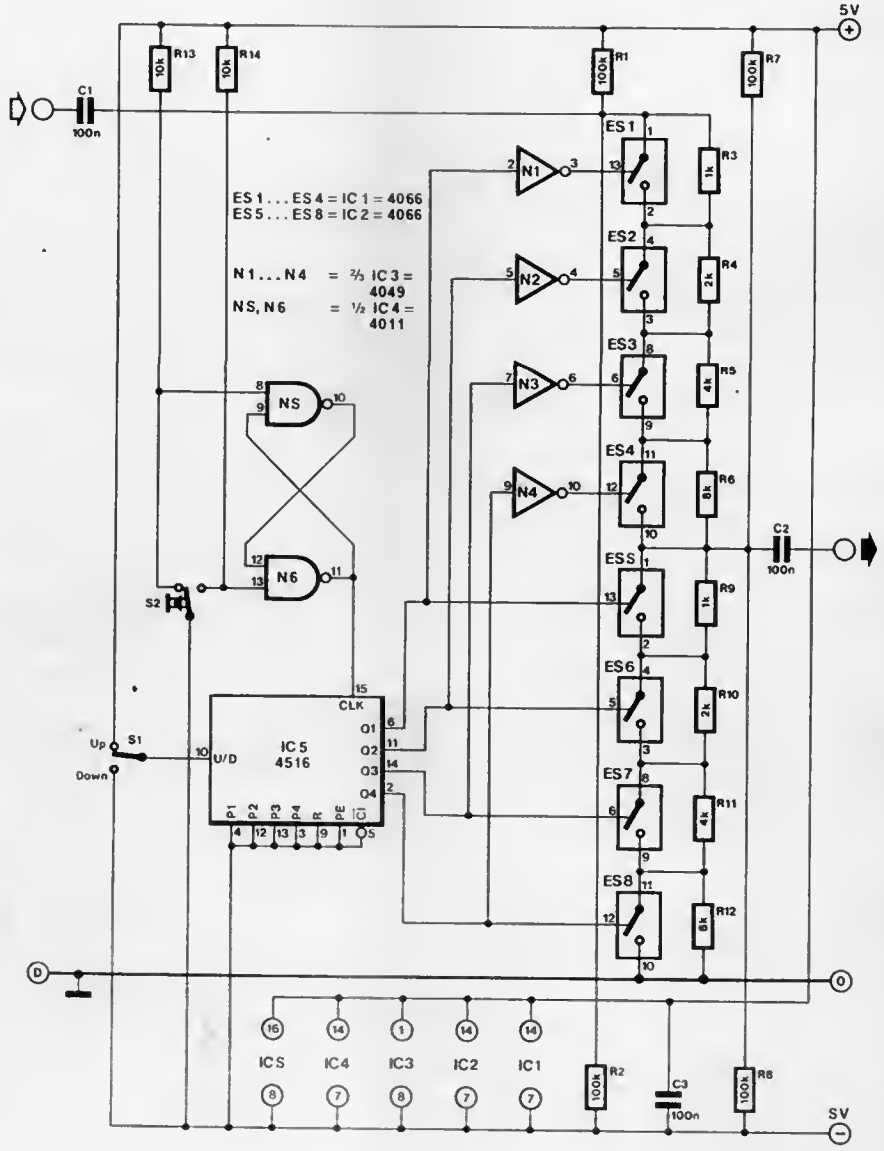
The electronic potentiometer is composed of two equal sections, which have a total resistance of 15 kΩ each. The electronic switches in each section are controlled by binary counter ICs. Since the switches in section ES₁-ES₄ and those in ES₅-ES₈ are controlled in complementary fashion, the total resistance of the potentiometer remains constant. Resistors R₁-R₂ and R₇-R₈ serve to keep the potential at the input and output at 0 V so as to preclude clicks when the step switch, S₂, is operated. Switch S₁ is the up/down selector. Gates N₅-N₆ form a bistable to ensure that the counter is clocked with debounced step pulses.

The number of steps can be increased by adding a counter and the required number of electronic switches, divided

over the two "track sections". These switches are then connected in parallel with resistors whose values correspond to binary order 1-2-4-8, etc., as

shown in the circuit diagram. Fortunately, precise binary ratios are not required here, since adequate results are obtainable with approximations

of the theoretical resistance values, and as long as the actual resistors are kept equal in both sections. D



87401

Simple DC operated motors with a permanent magnetic stator behave as an independently energized motor. The speed of an ideal motor with an infinitely low internal resistance is in direct proportion to the voltage applied, irrespective of the torque. The motor thus runs at a speed at which its reverse electromotive force (e.m.f.) equals the supply voltage. The reverse e.m.f. is directly proportional to the force of the (constant) magnetic field, and the motor speed. In theory, therefore, the motor speed can be held constant with a constant supply voltage. The speed reduction observed in practice arises from the voltage drop across the internal resistance, R_i , of the armature winding. Thus, when the motor is loaded, its current consumption, and hence V_{R_i} , increases, reducing the effective supply voltage. This effect can be eliminated by means of R_i compensation, which essentially entails measuring the motor's current consumption, relating this to the motor's instantaneous drop across R_i , and increasing the supply voltage accordingly. In fact, this calls for a voltage source with a negative output impedance, since it caters for a higher output voltage when the load is increased.

The basic set-up of the supply required here is shown in Fig. 1. The load current is measured as the drop across sensing resistor R_3 . The DC transfer function of this amplifier is written as

$$U_2 = U_1 + I_L R_2 R_3 / R_1$$

which accounts for the negative output impedance because then

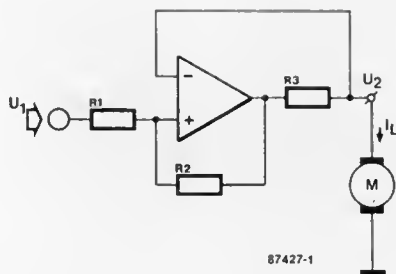
$$R_{out} = -R_2 R_3 / R_1$$

For optimum results, this impedance must be kept about equal to that of the motor.

Figure 2 shows the practical circuit of the motor driver based on a power operational amplifier. The Type L165 from SCS can supply up to 3 A at a maximum supply voltage of 36 V, and is therefore eminently suitable for the present appli-

cation. Capacitors C_1 and C_2 suppress noise on the reverse e.m.f. from the motor. Due care should be taken, however, in so extending the circuit, because this readily leads to instability. The motor itself already forms a fairly complex load, since the revolving rotor winding is mainly inductive, and the rotor itself represents a fairly large capacitance. Noise suppression components such as R_4 and C_3 add to the complexity of the load and may result in control instability, which becomes manifest in the motor's tendency to alternately reverse its direction at a relatively low rate. Also, the response to a fast change in the torque may be impaired, and high-frequency oscillation may occur (noticeable as excessive heating of IC_1 and/or R_4). When the circuit was tested with a small PCB drill, best results were obtained by omitting R_4 - C_3 and including C_2 . If the motor has a noise suppression network, C_2 must be omitted, and R_5 added to protect the opamp inputs against too high differential voltages as a result of commutation voltage peaks. Clearly, D_1 and D_2 have been included with this in mind.

1



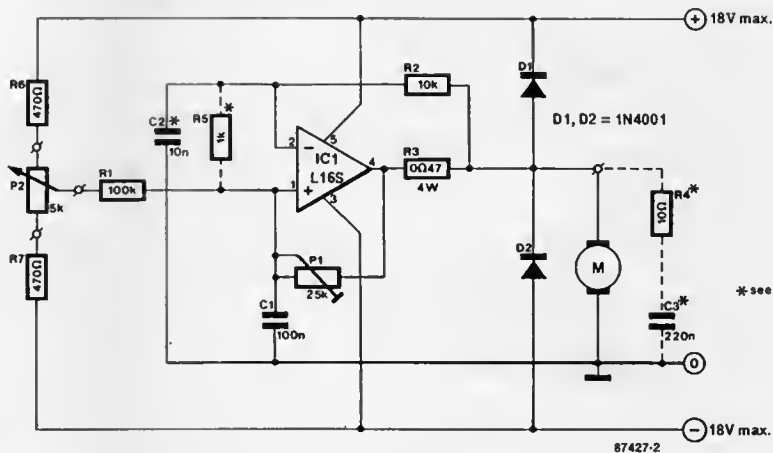
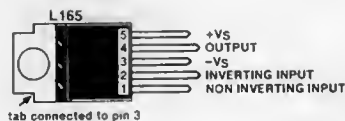
Preset P_1 is adjusted until the motor remains stable. Over-compensation of the motor will give rise to apparently uncontrolled movement. The adjustment of P_1 should be carried out when the motor has not yet reached its normal operating temperature, because its self-heating gives rise to an increase in the internal resistance.

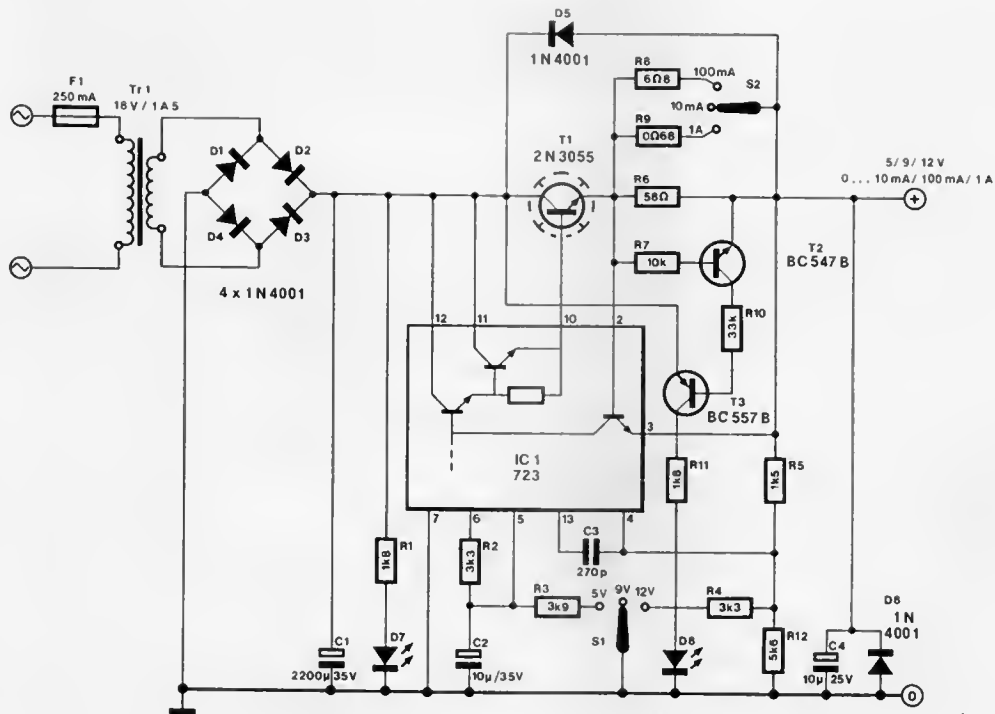
The use of a symmetrical supply (± 18 V max.) enables two-quadrant operation of the motor (cw/ccw rotation), which can then be used to power model trains and the like. The motor is halted when P_2 is set to the centre position. The ground rail may be connected to the

negative supply rail if only one direction of revolution is required (PCB drills). The maximum supply is then 36 V, making a greater voltage available for the motor, so that 24 V types can be controlled also, although it is not possible to completely halt these.

The motor can be protected against overloading by selecting a supply voltage that causes the opamp to clip when it outputs the maximum motor current. Finally, IC_1 is capable of supplying considerable current, and must, therefore, be fitted with a fairly large heat-sink. The quiescent current of the circuit is about 50 mA. TW

2





87403

by P Needham

Although the Type 723 voltage regulator has been with us for quite a few years, it is still a favourite component for making simple and good quality power supplies. The 723 possesses excellent characteristics, including a highly stable output voltage, adjustable current control, and short-circuit protection, but it lacks an output for signalling the activity of the built-in current limiter. The current limiter in the 723 consists of only one transistor, whose base and emitter are brought out to chip pins 2 and 3 respectively. When the voltage across these pins exceeds 0.5 to 0.6 V, the transistor is turned on and cuts the drive to the output transistors. In most applications, the voltage drop for the B-E junction of the current sense transistor is developed across an externally fitted resistor. In the the supply proposed here,

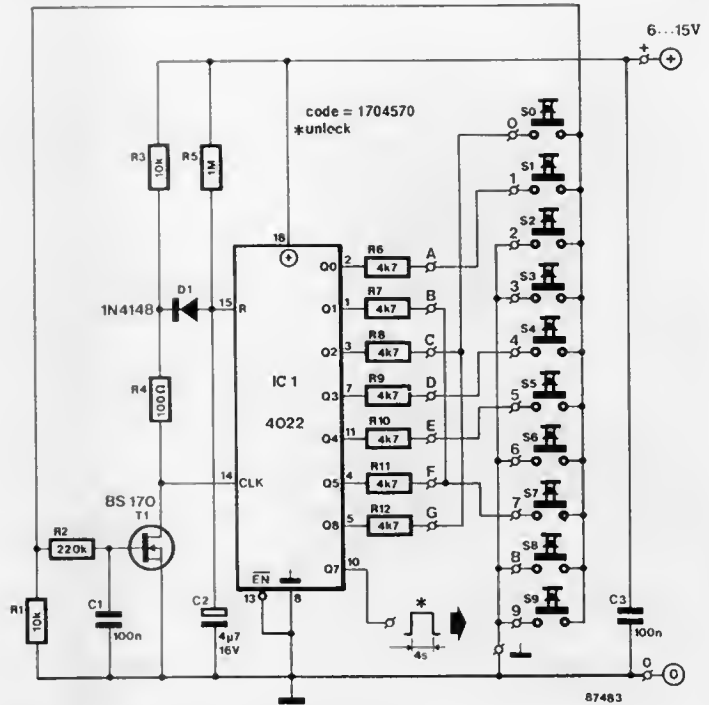
this is either R_6 , R_6/R_8 , or R_6/R_9 . A difficulty arises if it is intended to provide an overcurrent indication for the shutdown circuit with the aid of an external transistor fitted in parallel onto pins 2 and 3, since the external and internal transistor are highly unlikely to have precisely the same characteristics. When the internal transistor has the low B-E voltage of the two, the indication will not work, while in the other case the external transistor takes away the base current for the internal transistor, so that the current limiter is rendered ineffective. In this design of a power supply, a current overload indication was realized by fitting the external transistor with a high value base resistor, R_7 , to ensure that the current limiter in the 723 is not disabled. A further transistor, T_3 , has been added to keep the base current for T_2 as low as possible. Since the base-emitter junction then

has a diode characteristic, the associated voltage drop is always lower than that of the transistor internal to the 723. The three output voltages from this supply are probably the most commonly used for testing asymmetrically fed designs: 5 volt for many TTL and CMOS circuits, 9 volt for battery operated equipment or logic circuits equipped with a 7805 regulator (this requires an input of at least 8.5 V), and 12 volt for RS232 drivers, and miscellaneous opamp or transistor based circuits. The current limiter can be set to 10 mA, 100 mA, or 1 A for safely powering experimental circuits. Power regulator T_1 should be fitted with a heat sink sized at least 10×10 cm. LEDs D_7 (green) and D_8 (red) are the power on and current overload indicator, respectively. The output voltages of the supply may not be as accurate as required, and this is mainly

due to the use of resistors from the E12 series. Close tolerance is especially important in the 5 V range, since the value shown for R_3 gives a theoretical output of 4.9 V. This can be increased readily by fitting a resistor in parallel with R_3 , until the output voltage is 5.0 V precisely. Switches S_1 and S_2 are preferably SPDT types with a centre position, but three-way rotary switches should also do if in both cases the centre contact is not used. *W*

This code lock provides a high degree of security whilst being a very simple design. At the heart of the circuit is the Type 4022 octal counter. In the non-active state, C_2 is charged via R_5 , so that the reset (R) input of the counter is kept logic high. This causes output Q_0 to be actuated, while all other outputs are logic low. When S_1 is pressed, T_1 is switched on via debouncing network R_2-C_1 , and IC_1 receives a clock pulse. Also, C_2 is discharged via R_4-D_1 , ending the reset state of the counter and enabling it to advance. The time required for R_5 to recharge C_2 , i.e., to reset the counter, is the maximum time that can lapse before the next key is pressed. The above cycle is therefore repeated only when S_7 at the Q_1 output is pressed in time. When all keys have been pressed in time and in the correct order, Q_7 goes high for about 4 seconds to enable driving the unlock circuitry, e.g. a relay driver for an automatic door opener. The code for the lock shown in the circuit diagram is 1704570: this is but an example, however, and the combination code is readily altered by swapping connec-

1

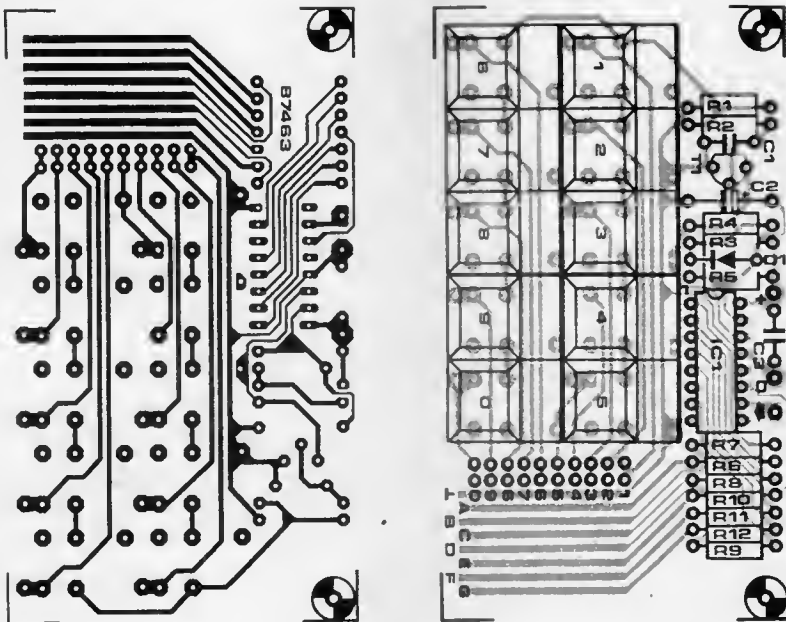


tions between the counter outputs and the switches. When the 7-digit code is considered too simple to crack, the 4022 can be replaced by a 4017,

which makes it possible to add two keys. This means that the number of combinations is 10^9 instead of 10^7 . The quiescent current con-

sumption of the code lock is negligible at $0.5 \mu A$, so that battery operation is feasible. The circuit works well from any supply between 6 and 15 V.

2



Parts list

Resistors ($\pm 5\%$):

- $R_1; R_3 = 10K$
- $R_2 = 220K$
- $R_4 = 100R$
- $R_5 = 1M\Omega$
- $R_6 \dots R_{12}$ incl. = $4K7$

Capacitors:

- $C_1; C_3 = 100n$
- $C_2 = 4\mu 7; 16 V$; axial

Semiconductors:

- $D_1 = 1N4148$
- $IC_1 = 4022$
- $T_1 = BS170$

Miscellaneous:

- $S_0 \dots S_9$ incl. = Digitast momentary action button (SE or S version, ITT Schadowl).
- PCB Type 87463 (not available through the Readers Services)



The accompanying photograph shows that the code lock can be built as a very compact unit thanks to the use of a printed circuit board that holds the 10 keys also.

SV

36

THERMOMETER

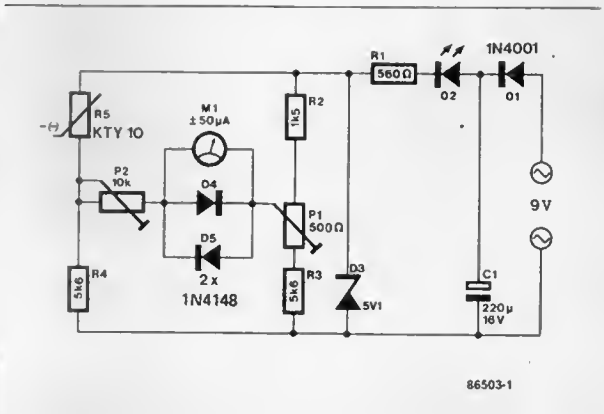
from an idea by P Needham

At the heart of this simple circuit is the well-known Type KTY10 temperature sensor from Siemens. This silicon sensor is essentially a temperature-dependent resistor, which is connected as one arm in a bridge circuit here. Preset P₁ functions to balance the bridge at 0°C. At that temperature, moving coil meter M₁ should not deflect, i.e., the needle is in the centre position. Temperature variations cause the bridge to be unbalanced, and hence pro-

duce a proportional indication on the meter. Calibration at, say, 20°C is carried out with the aid of P₂.

The bridge is fed from a stabilized 5.1V supply, based on a temperature-compensated zenerdiode. It is also possible to feed the thermometer from a 9V battery, provided D₁-D₃, R₁ and C₁ are replaced with a Type 78L05 voltage regulator, because this is more economic as regards current consumption.

TW



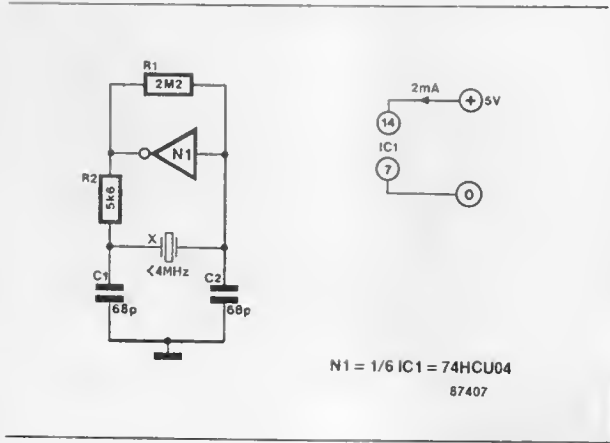
86503-1

37

PIERCE OSCILLATOR

In addition to the description elsewhere in this magazine of HC and HCT based R-C/L-C oscillators for use up to 20 MHz, this design brief concentrates on quartz-controlled oscillators which find applications in digital equipment and micro-processor systems. Such oscillators can only be made with HCU gates, because HC and HCT ones have buffered outputs that make them unsuitable for use as analogue amplifiers.

The circuit diagram shows a Pierce oscillator set up around a single gate in a Type



N1 = 1/6 IC1 = 74HCU04
87407

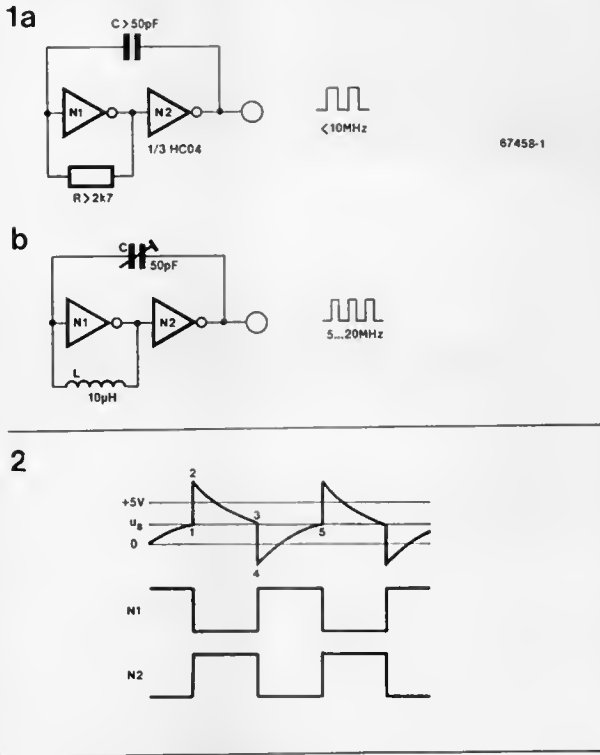
74HCU04 package. The inverter functions as an inverting amplifier with a phase shift of 180°. The circuit can be modified into a Collpits oscillator by replacing the quartz crystal with an inductor. It should be noted, however, that the use of a quartz crystal is more appropriate because it ensures minimum current consumption and adequate suppression of the third harmonic frequency. Finally, R₂ must be replaced with a 33pF capacitor if the oscillator is operated above 4 MHz.

St

Two inverters, one resistor and one capacitor are all that is required to make a HC(T)-based oscillator that gives reliable operation up to about 10 MHz. This sort of circuit is well-known, and appears in Fig. 1a.

The use of two HC inverters gives fairly good symmetry of the rectangular output signal. In the same circuit, HCT inverters give a duty factor of about 25%, rather than about 50%, since the toggle point of an HC and an HCT inverter is $\frac{1}{2}V_{CC}$, and slightly less than 2 V, respectively.

When the supply voltage for the oscillator is switched on, C initially has no charge, and the output of N₁ and N₂ are at the same logic level. Capacitor C is then charged via R, until it has acquired a charge voltage that corresponds to the toggle voltage, U_s, of N₁. Assuming the output of N₂ initially to be logic low, the waveform of the signal at the input of N₁ is essentially as shown in Fig. 2. When C is



charged up to level 1, the output of N₁ toggles, and so does that of N₂. This causes the voltage at the input of N₁ to rise, via C, to about 1.5V_{CC}, so that C is reverse charged to level 3. From there on, the amplitude changes in a mirror-inverted way to reach the initial state again (level 5 is identical to 1), and the circuit oscillates. In practice, the curve in Fig. 2 is slightly flatter, because the peaks at levels 2 and 4 are clamped to +5 V and 0 V by the protective circuits internal to the inverters.

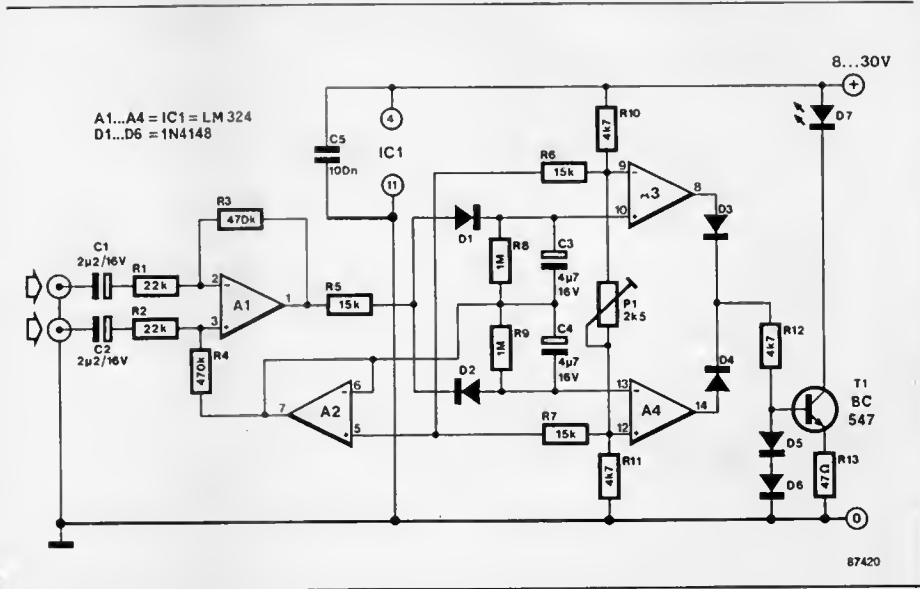
If the oscillator is to operate above 10 MHz, the resistor is replaced with a small inductor, as shown in Fig. 1b.

The output frequency of the circuit in Fig. 1a is given as about $1/1.8RC$, and can be made variable by connecting a 100K preset in series with R. The solution adopted for the oscillator in Fig. 1b is even simpler: C is a 50 pF trimmer capacitor.

D

On most FM tuners, the stereo indicator lights upon detection of the 19 kHz pilot tone. However, this need not mean that the programme is actually stereophonic, since the pilot tone is often transmitted with mono programmes also. A similar situation exists on stereo amplifiers, where the stereo LED is simply controlled from the mono-stereo switch.

The LED-based stereo indicator described here lights only when a true stereo signal is fed to the inputs. Differential amplifier A₁ raises the difference between the L and R input signals. When these are equal, the output of A₁ remains at the same potential as the output of A₂, which forms a virtual ground rail at half the supply voltage. When A₁ detects a dif-



ference between the L and R input signals, it supplies a positive or negative voltage with respect to the virtual ground rail, and so causes C_3 to be charged via D_1 , or C_4 via D_2 . The resistors connected in parallel to these capacitors ensure slow discharging to bridge brief silent periods in the programme. Comparator A_3 - A_4 switches on the LED driver via OR circuit D_3 - D_4 .

When building the circuit into an amplifier, care should be taken to select the right point from which the input signals are obtained. In general, this should be before the volume and balance controls, but behind the mono/stereo selector. The signal level should not be less than 100 mV to compensate for the drop across D_1 or D_2 . Also observe that the impedance at the selected

"tap" location is relatively low. Should the stereo light come on when a mono programme is being received, the input signals are different, and the sensitivity of one of the amplifier channels should be altered. If this is impossible or undesirable, R_3 may be replaced by a series connected preset and a resistor. The sensitivity of the stereo indicator is adjustable with P_1 . The current consump-

tion is less than 7 mA when the LED is off, and about 20 mA when it is on.

TW

40

SYNCHRONIZATION SEPARATOR

from an idea by J W v Dijk

Many monitor chassis currently offered by computer surplus stores have separate inputs for horizontal and vertical synchronization signals. Most home micros, however, have a composite video output, so that some form of interfacing is required to drive these bargain monitors.

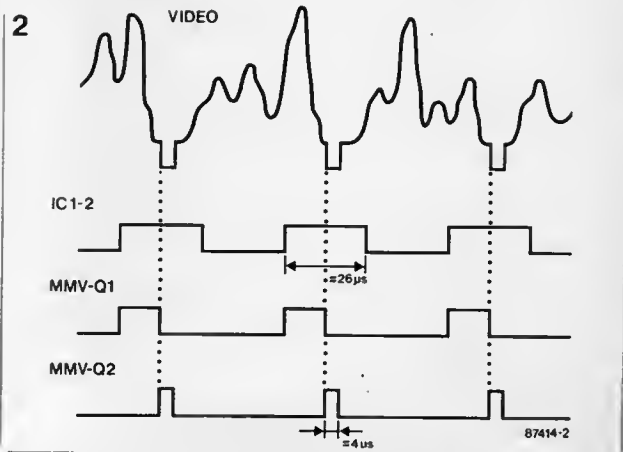
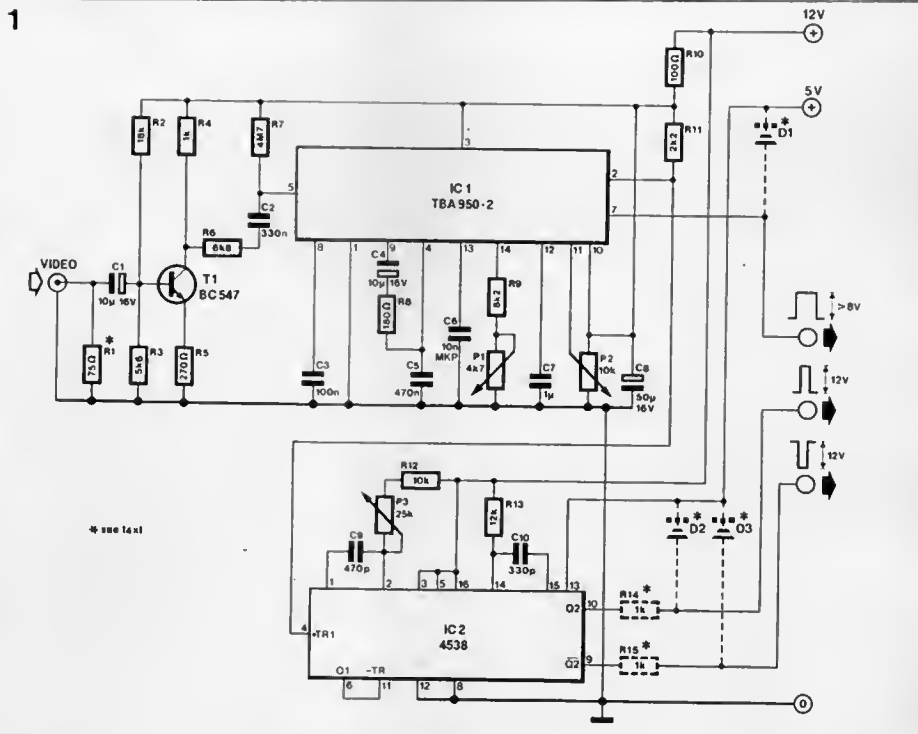
The Type TBA950-2 is a sync separator chip which is frequently encountered on TV chassis. In its standard application circuit, it requires to be driven by a flyback signal derived from the output of the line frequency oscillator. Without this signal, which is applied to pin 10, the sync pulse would end up somewhere among the picture lines. To be able to use the TBA950-2 in the present application, the horizontal pulse is slightly shifted with the aid of a double monostable multivibrator, IC_2 .

The operation of the circuit should be clear from the accompanying timing diagram. The output pulse from the TBA950 is fairly wide (26 μ s), and its positive edge triggers the first MMV (Q_1), whose negative output pulse transition in turn triggers the second MMV (Q_2). The line sync pulse for the monitor is available positive and negative at IC_2 outputs Q_2 and \bar{Q}_2 , respectively.

Adjust the circuit as follows: set P_2 to the centre of its travel, and adjust the frequency control, P_1 , such that the image is stable. Next, position the image by adjusting P_3 . If the correct pos-

ition can not be obtained, the phase control, P_2 , must be carefully readjusted, followed by P_3 . The vertical sync pulse is available at pin 7 of the TBA950-2. Finally, the dashed resistors and diodes are required if the monitor inputs are designed to accept signals with a peak-to-peak amplitude of 5 V.

D

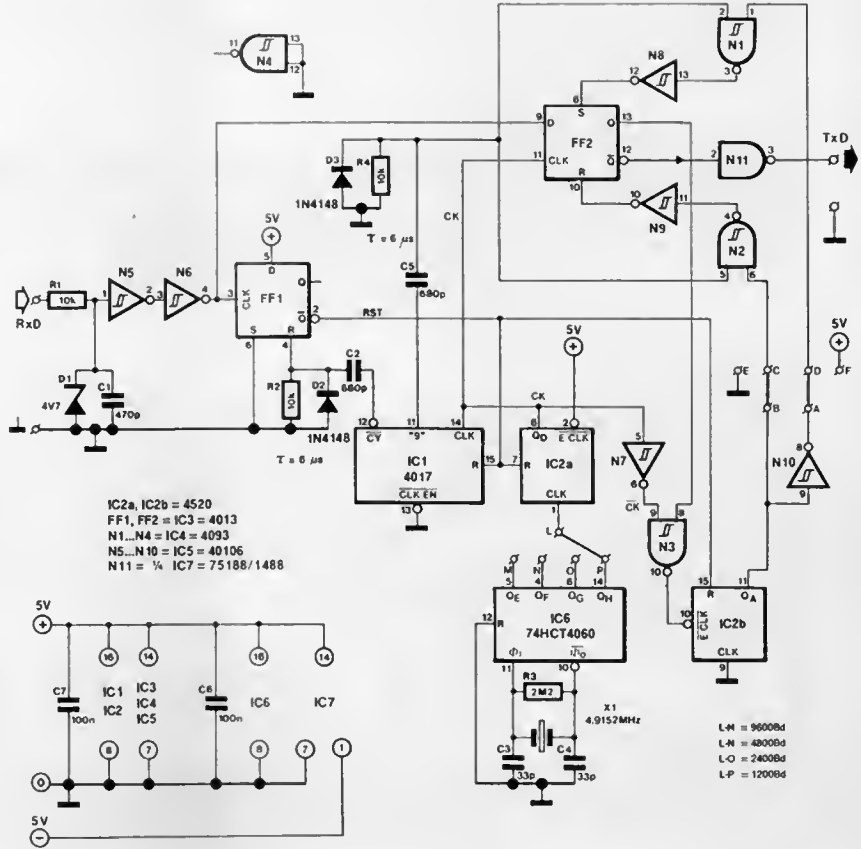


SERIAL DATA CONVERTER

Some computers and communication programs are unable to output serial data composed of 7 data bits and a parity bit. The present circuit has been designed to output this data format when it is driven with serial data organized as 1 start bit, 8 data bits, no parity bit, and 1 stop bit. This format is widely used for accessing bulletin boards, data banks, and the like with the aid of a modem, and should be available on most computers equipped with an RS232 port. The converter has a built-in clock generator which can be set to the baud rates shown in the circuit diagram, Fig. 1. Both odd and even parity can be generated, and no handshaking is required with the computer or console.

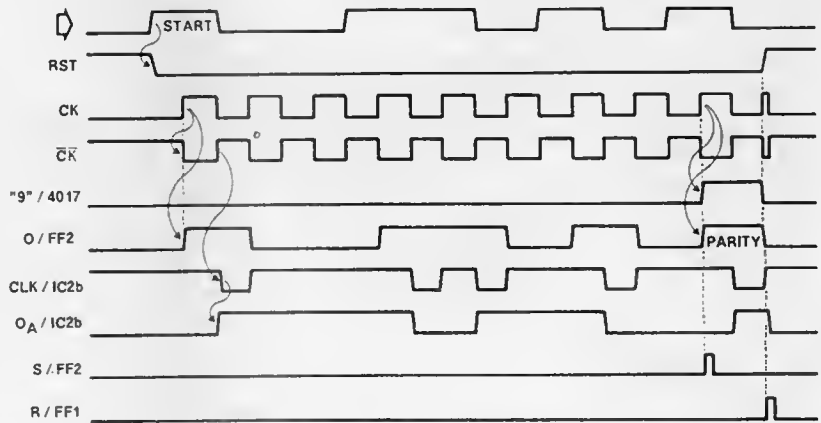
The basic operation of the converter is as follows (also refer to the timing diagram in Fig. 2). The rising edge of the start bit in the incoming 10-bit word clocks bistable FF₁, whose output \bar{Q} goes low and so enables counters IC₁, IC_{2a} and IC_{2b}, which were previously blocked by the high level of RST. Binary counter IC_{2a} starts counting the clock pulses provided by baud rate generator IC₆. The frequency of this clock signal is 16 times the bit rate on the serial input and output line. Bistable FF₂ and counter IC₁ are clocked with signal CK, whose period corresponds to that of the bits in the data stream. The received start bit and the next seven data bits are passed through FF₂, while IC₁ keeps count of the number of transmitted bits, and actuates output 9 during the reception of the ninth bit (i.e., databit 7). The rising edge of the counter output pulse is differentiated in C₅-R₅ and then applied to NAND gates N₁-N₂. These make it possible for FF₂ to be set or reset, depending on the state of parity counter IC_{2b}, which keeps count of the logic high bits in the serial word applied to the converter. Its output Q_A indicates whether the number of detected high bits is odd (Q_A=1) or even (Q_A=0), and causes FF₂ to toggle when the differentiated pulse from IC₁ makes the output of N₅ or N₉.

1



87516 - 1

2



87516 - 2

go high for a very short period. When Q_A is low, the parity bit at Q of FF_2 is high because in that case the S (set) input is driven high. Similarly, the parity bit is low when Q_A is high because the R (reset) input on FF_2 is then driven high. These two situations can occur when even parity is selected by fitting wire links A-D and B-C as shown in the circuit diagram. Odd parity is obtained by fitting links A-C and B-D, and permanently low parity by fitting C-E and D-F (note that a "low" parity level means that the relevant bit is logic high in the RS232 convention).

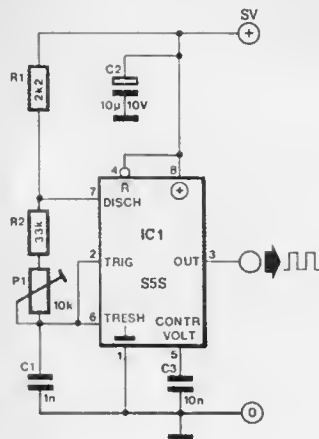
After transmission of the parity bit, the circuit is prepared for the next word by the carry (CY) output of IC_1 , providing a high

level to differentiator C_2 - R_4 . This resets FF_1 , which in response drives the RST line high to reset the counters.

The convention adopted for the logic high and low levels of the data bits in the proposed converter requires that this is inserted in an RS232 or RS432 data line. Line driver N_1 , may be omitted, and the serial output signal taken from Q on FF_2 , if the driven input can operate with pulse levels of 0 and +5 V. Finally, Fig. 3 shows a suitable alternative for the crystal-operated clock generator, which may be considered too extensive if the circuit is to work at a fixed baudrate of 1200. Multi-turn preset P_1 is set for an output frequency of 19,200 Hz.

Th

3



87516-3

42

TRANSMISSION LINES FOR TTL CIRCUITS

Although cable connections between TTL circuits are normally not as critical as those for, say, RF applications, it is still worth while to reflect on this subject because strange things often happen when a TTL transmission line is not correctly terminated. In particular, this discussion is about terminating coaxial cable and flat ribbon cable. The latter is frequently used for driving Centronics compatible inputs.

A commonly used coaxial cable is RG59B/U, which has a characteristic impedance of 75 Ω and a propagation delay of 5 ns/m. With signal rise and fall times of 4 ns, the cable may be considered electrically long if it exceeds 40 cm. One of the most common terminations used when driving a long coaxial cable with an LSTTL gate is shown in Fig. 1. This set-up is unsuitable for a HCT bus driver, since the termination provides a poor impedance match, and requires a current sinking capability of 20 mA.

An improved termination circuit is shown in Fig. 2: this ensures reliable signal transmission for cables up to 15 m. Note that the 1 k Ω pull-up resistor is only required when

the driver is an open collector gate or buffer.

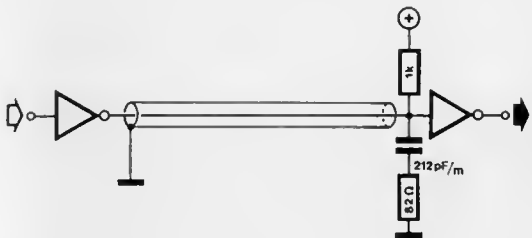
Flat ribbon cable often introduces considerable crosstalk between wires, especially when terminated in HC(T) gates, which form a high input impedance. In general, a flat ribbon cable should not be longer than about 60 cm, but longer runs are possible when individual wires are separated by grounded wires (1.8 m max.), or when each wire is terminated with a 1 k Ω pull-up resistor (1.2 m). A combination of these methods makes it possible to use flat ribbon cables with a length up to 2 m, but this is also attainable without grounded wires—see Fig. 3. The combined use of this termination network and grounded wires in the flat ribbon cable should enable a cable length of about 5 m.

St

1



2



3



87455

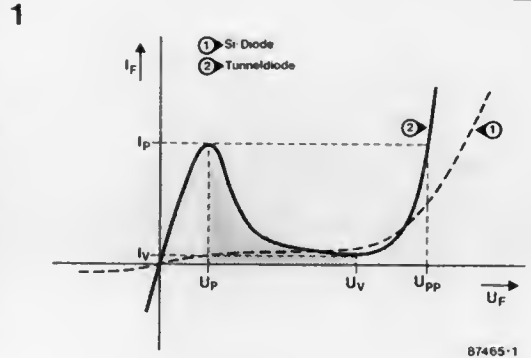
After a longish absence from the semiconductor scene, the *tunnel diode*, also called *Esaki diode*, after its Japanese inventor, has been re-introduced thanks to the fact that it can be used to save energy. In the nineteen fifties and sixties, tunnel diodes found many applications mainly in RF circuits, where their rather special properties were exploited for making fast level detectors, oscillators, mixers, and the like. As compared with a normal diode, a tunnel type utilizes a semiconductor material with an extremely high doping level, causing the depletion layer between the p-n junction to be roughly a thousand times narrower than that in even the fastest of normal silicon diodes. When the tunnel diode is forward biased, *tunnelling* of the electron stream occurs across the p-n junction. Tunnelling in doped semiconductors is a phenomenon not readily explainable on the basis of traditional atomic theory, and can not possibly be expounded in this brief article. When measuring the correlation between a tunnel diode's forward voltage, U_F , and current, I_F , it will be found that the device possesses a *negative resistance* characteristic between the peak voltage, U_P , and the valley voltage, U_V , as shown in Fig. 1. Thus, if the diode is operated in the shaded section of its I_F - U_F curve, the

forward current falls as the voltage rises. The resistance of the diode is undisputedly negative, and usually given as $-R_d$.

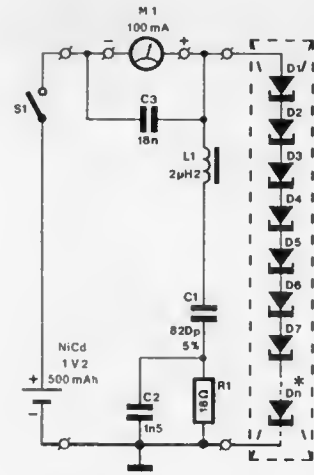
The present design exploits the above property of tunnel diodes by having a series connected set of these devices charge a battery with the aid of solar energy. As seen in Fig. 2, seven or more Gallium-Indium Antimonide (GISp) tunnel diodes are series connected and fitted on a large heatsink, which does not serve to dissipate their power (tunnel diodes get colder as U_F rises), but to effectively accumulate solar, or otherwise applied, heat, whose energy is converted into a charge current for the NiCd battery.

The operating principle of this unique design is remarkably simple. If a normal, pure, resistance, R , *discharges* a battery with current $I=V/R$, a negative resistance *charges* the same battery, since the sign of I reverses: $-I=V/-R$. Similarly, when a normal resistance *dissipates* $P=I^2R$ watts, a negative resistance *delivers* this wattage into the load: $P=-I^2-R$. When the load is itself a voltage source with fairly low internal resistance, the negative resistance must, of course, output a higher voltage for the charge current, I_c , to flow:

$$I_c = \delta[\sum(U_F) - U_{bat}] / \sum(R_d) + R_{bat}$$



2

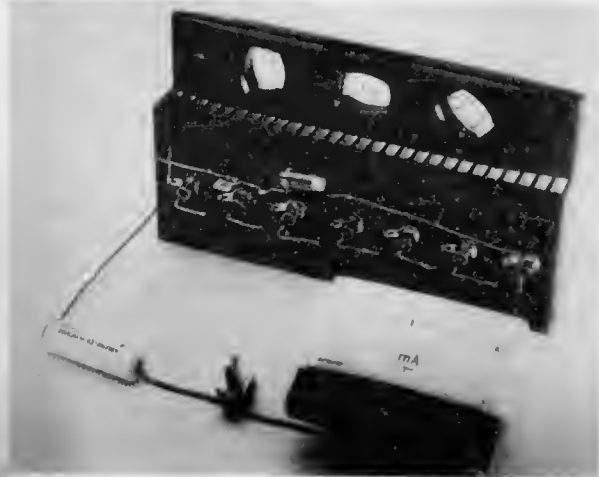


* see text

D1... Dn = 8A 7891 NG

From the notation $\sum(R_d)$ it is immediately seen that all diodes in the series chain must be operated in the $-R_d$ area, because any single diode with a $+R_d$ characteristic would cancel the object effect. To ensure that all diodes exhibit a negative resistance, a simple test circuit can be made as shown in Fig. 3. Note that the meter must be capable of indicating the direction of the current, since it may well happen that a particular diode has such a high $I_P:I_V$ ratio (*tunnel slope*) that the battery is unintentionally charged on applying a small forward bias. The test must be carried out at

an ambient temperature below 7°C (use a cleared out refrigerator), and the U_F - I_F curve is noted for every individual diode by carefully raising the forward bias with the aid of the potentiometer, and recording the resultant values of I_F , read from the meter. Put an FM radio nearby to make sure that the diode under test does not oscillate at 94.67284 MHz (F_{res} for GISp at doping level 10^{-7}). If it does, it is unsuitable for the present application. Establish the range of U_F that ensures $-R_d$ for all diodes. Depending on the production tolerance of the diodes in the available lot, this span may be as restricted

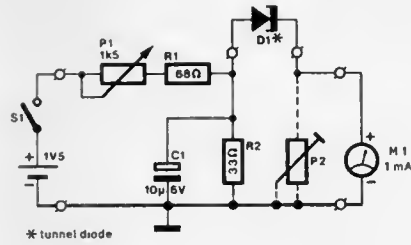


as, say, 180 to 230 mV. Calculate the number of diodes required for charging the battery with its nominal current: for the above range of U_F , at least 7 diodes must be series connected to give a charge current of about 45 mA if they are heated to $T = \frac{1}{\sum (R_{di})} \ln \left[\frac{\delta (R_{th})}{R\theta} \right] \cdot (T_d + T_a)^\circ C$, or about $35^\circ C$ if the thermal resistance of the heat sink is less than 3.5 K/W, and if it is positioned in bright sunshine ($T_a \approx 26^\circ C$).

To obtain the highest possible efficiency from this NiCd charger, the heatsink must be black for optimum heat transfer to the diodes, and it should not

be magnetic, since any external field, induced or magnetic, causes disuniform agitation of the charge carriers in the tunnels, and hence gives rise to the so-called *duct* effect; electrons tend to be dislodged from the p-n junction on the substrate, and consequently accumulate on the diode terminals, causing possibly dangerous potentials with respect to the metal enclosure. Many tunnel diodes Type BA7891NG are, unfortunately, quite sensitive to external fields, and practice has shown that they must be kept horizontal with respect to the earth's surface to preclude

3



67465-3

ducting when forward bias is applied. | from an idea by J Freshwater & C Sanjay.

44

SMD HEADPHONE AMPLIFIER

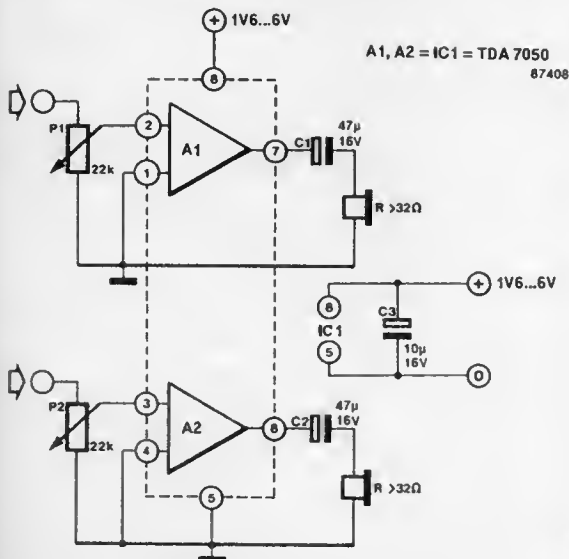
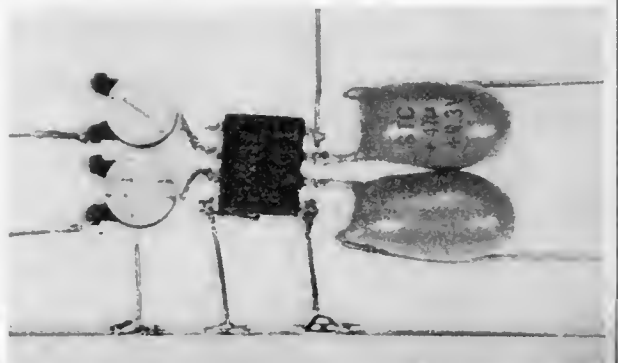
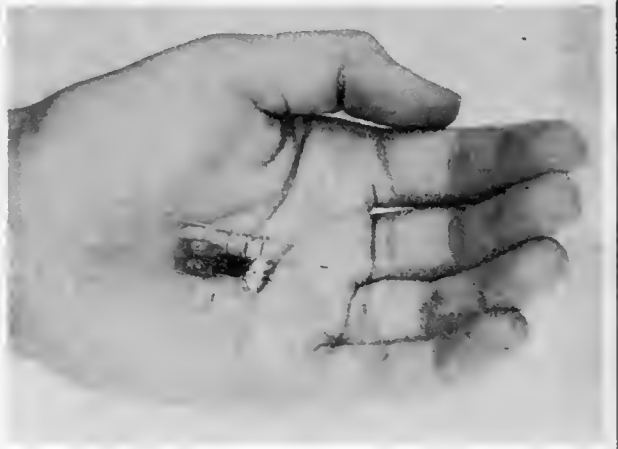
Although the use of SMDs (surface mount devices) is not yet widespread among electronics hobbyists, and the availability of these parts is still problematic in certain areas, there appears to be no way of stopping the ever increasing miniaturization of chips and circuits. A good instance of this happening at an accelerating pace is the Type TDA7050 headphone amplifier, which used to be available in a standard DIL enclosure, but is currently only manufactured in SMA technology.

The Type TDA7050 is a complete stereo amplifier with a gain of 26 dB and an output power of 2 x 75 mW. As seen in the circuit diagram, two electrolytic capacitors are required to block the offset voltage at the amplifier outputs. It is also possible to set up the amplifier in a bridge configuration to obtain an output power of 150 mW: simply omit the capacitors, and connect pins 2 and 4 to ground. Pins 1 and 3 are connected to form the amplifier's input, while the loudspeaker is connected

between pins 6 and 7. The current consumption of the chip at maximum output power is of the order of 100 to 150 mA, while the quiescent current amounts to a mere 5 mA. The amplifiers should be terminated

in 32Ω, a common value for modern headphones. The supply voltage is normally 4.5 V, and pins 6 and 7 are at half the supply potential during quiescent operation.

St



by W Teder

The basic dynamic characteristic of a chord can be analysed as a fast rising, needle-shaped pulse with a virtually exponential decay—see Fig. 1. This typical amplitude characteristic can only be faithfully reproduced by an amplifier if this is operated well below its overload margin, and that, many guitar players know, generally results in too low an average sound level. Also, when it is desired to use a high volume setting, the distortion soon rises to an unacceptable level. Although the above difficulty is widely remedied by means of a tightly set compressor or limiter, the sound may then lack the required aggressiveness. This circuit is expected to give better results than most other limiters, because it is only active in the upper range of the dynamic characteristic.

The gain of the preamplifier set up around IC₁ is adjustable with P₁. The inverting input of the opamp is grounded via the drain-source junction of n-channel FET T₁, which operates as a voltage-controlled resistance here, and is driven with a negative gate voltage derived from the limiter's output signal. The gain of the opamp is therefore inversely proportional to the gate voltage of the FET, whose drain-source resistance is reduced as the gate voltage becomes more negative. Network R₅-C₄ effectively reduces the distortion incurred by the regulating action of the FET. It may be necessary to re-dimension R₅ and C₄ to compensate for the tolerance on the FET—use an oscilloscope and a function generator to find the optimum values for these components while the circuit is being arranged to operate at maximum compression.

The limiter is fairly simple to align. Apply a 1 kHz, 150 mV input signal to the input, and monitor the output signal with an oscilloscope. Adjust P₁ such that maximum amplification is obtained with virtually no distortion. Increase the input amplitude to 300 mV: this is

likely to make some distortion noticeable. Carefully turn P₁ back until the distortion is reduced to an acceptable level. In some instances, when the distortion remains too high whatever the setting of P₁, it may be necessary to replace T₁, since the Type BF256C is

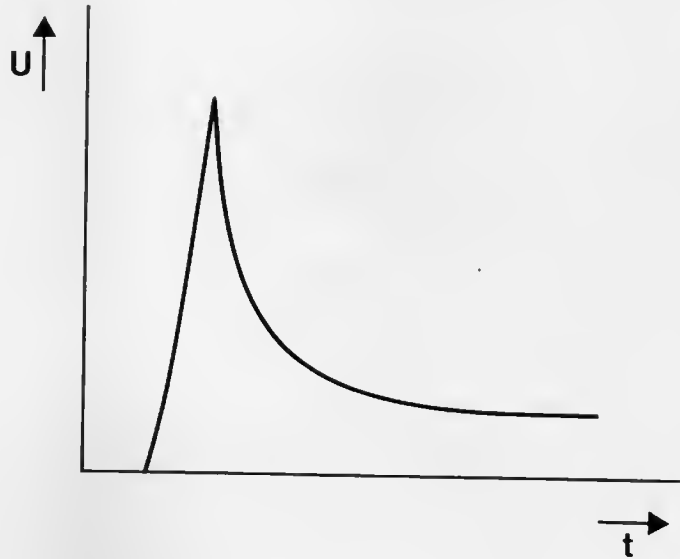
manufactured with a relatively loose tolerance.

The proposed limiter leaves the lower dynamic range unaffected, while slightly compressing the peak amplitudes in the input signal. Optimally aligned, it suffers none of the notorious side-effects such as "noise

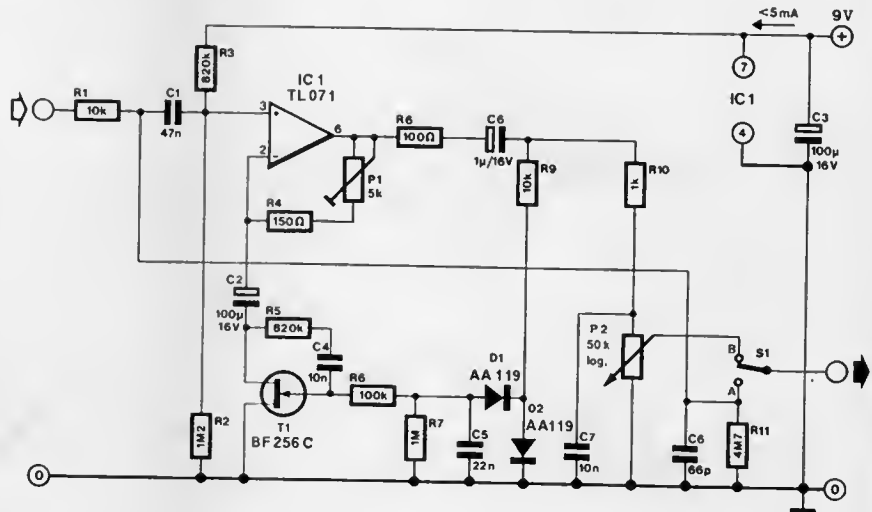
breathing" and clipping commonly associated with other units, while it enables guitar amplifiers to be driven 3 dB harder without producing appreciable distortion.

D

1



2



87471 - 2

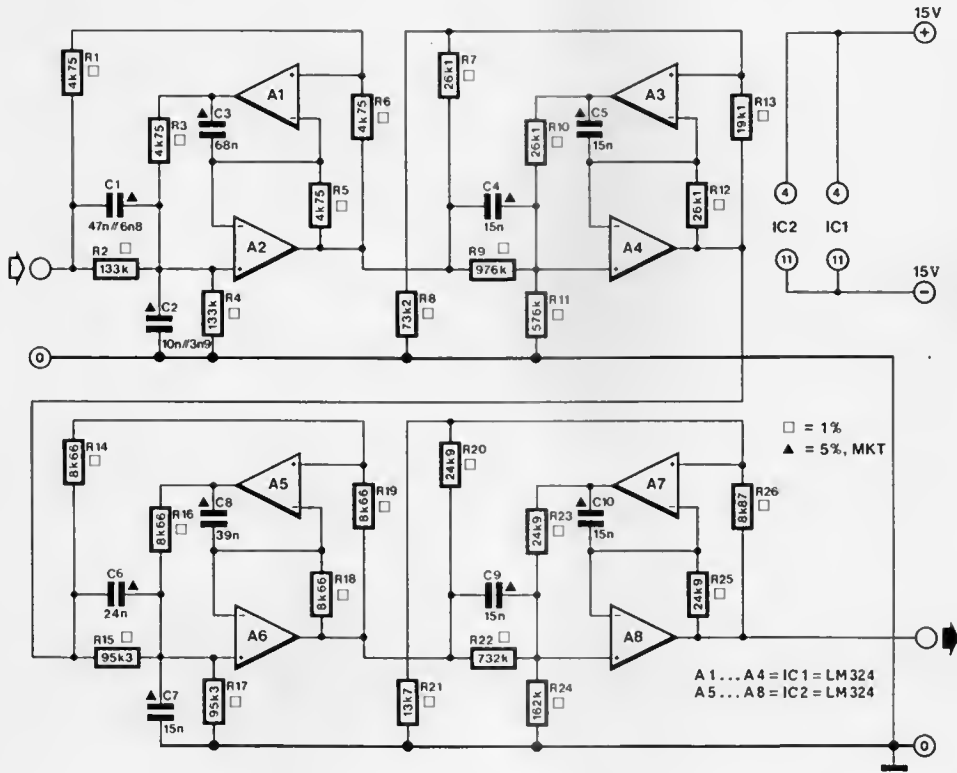
Morse, or CW (continuous wave), is still widely used thanks to the fact that the necessary equipment can be kept relatively simple, and therefore inexpensive, if the operator is sufficiently trained in selective listening. A morse decoding computer, however, requires an adequately filtered

input signal, because it lacks the noise discriminating capability of the human ear. Some receivers can be upgraded with a 250 Hz IF filter for this purpose, but such an extension is usually well beyond the financial reach of most radio amateurs. The filters discussed here operate in the audible fre-

quency range, and compare favourably with far more expensive types for 455 kHz. Figures 1 and 2 show the circuit diagram and the typical response of an eighth-order inverse Chebyshev filter which has been optimized for non-computer using listeners. The filter of Fig. 3 is less complex,

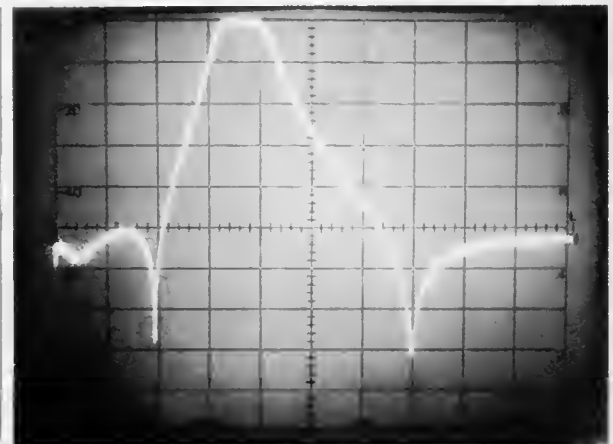
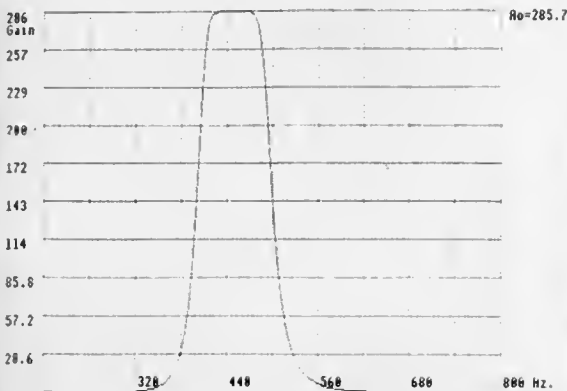
and intended for driving a computer. The associated frequency response is shown in Fig. 4. Both filters were designed with *Eldesign IIe*, an advanced filter design program for the BBC micro. The inverse Chebyshev response gives a smooth pass-band, while the characteristic ripple ends up in

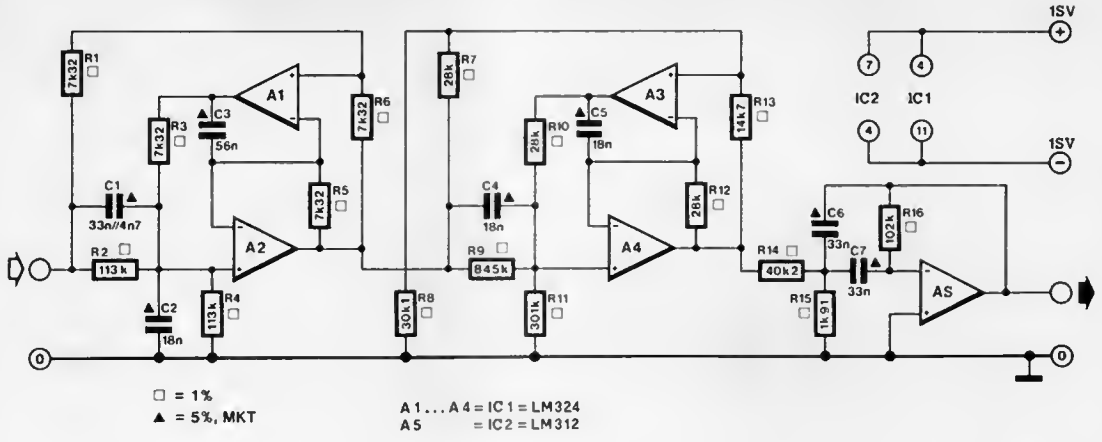
1



87489-1

2





87489-3

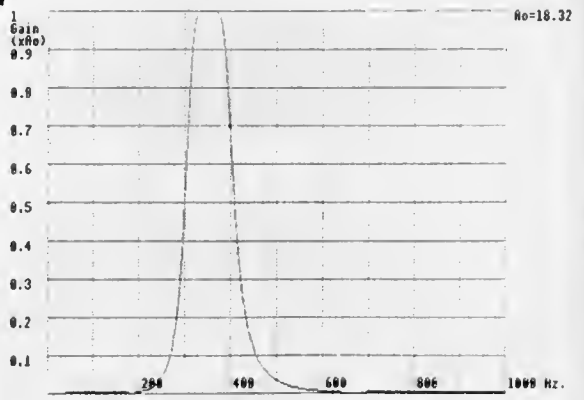
the stop band. This ensures the required phase stability in the pass-band, which is a must for processing burst-like signals such as morse.

Prototypes of the filters gave excellent results: normally hardly audible signals could be recovered for reliable decoding. The supply for the filters is preferably a symmetrical 15 V type to ensure an optimum dynamic range. Do not use any other opamp than the LM324, since types with a higher cut-off frequency may give rise to oscillation. Note that C₁ in Figs. 1 and 3, and C₂ in Fig. 1, is a

parallel combination of two capacitors from the E12 range of values, while all resistors used are from the E96 range. Should any of the filter sections persist in its tendency to oscillate, either one of the even-numbered opamps may have to be dimensioned for a slightly different roll-off point by connecting a 100 pF capacitor across the output and the - input, and a 390 Ω resistor between the - input and junction C₁-R₅ (-A₁) (example refers to opamp A₂).

B

4



47

WIEN BRIDGE OSCILLATOR

This AF oscillator can be built with only one active component, and draws so little current that it is conveniently fed from a 9 V (PP3) battery.

The basic circuit of the Wien bridge oscillator is shown in Fig. 1. The oscillator consists of two sections, namely the opamp plus R₃-R₄ which determine the amplification factor, and positive feedback network C₁-R₁-C₂-R₂ which enables the circuit to oscillate. This network is composed of a low-pass section R₂//C₂, and a high pass section R₁+C₁. The phase difference incurred in these is nulled at the frequency of oscillation, when the filters form a pure ohmic potential divider

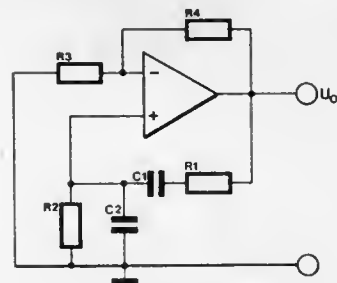
with an attenuation of 3. Therefore, the opamp must have an amplification of 3, to keep the overall amplification at unity, so that the oscillation is maintained. The output frequency, f_o, of the oscillator is

$$f_o = 1 / (2\pi\sqrt{R_1 R_2 C_1 C_2}) \quad [\text{Hz}]$$

but only if R₁ ≈ R₂ and C₁ ≈ C₂. In the practical design shown in Fig. 2, the oscillation frequency is about 1,000 Hz.

Both the inverting and the inverting input of the opamp in Fig. 1 must be held at half the supply voltage to ensure minimum current consumption if the oscillator is to be fed from a battery. Figure 2 shows how this

1



87415-1

is realized in the practical version of the Wien bridge oscillator. Here, resistors R₂ and R₃ from Fig. 1 are seen as R_{2a}-R_{2b} and R_{3a}-R_{3b}, respectively, connected as voltage dividers. This

can be done with impunity, because the voltage source is a virtual short circuit for alternating voltages, and there is also C₃ as an effective decoupling device. For an alternating

voltage, therefore, the resistors are parallel combinations. Evidently, R_{2a} , R_{2b} , R_{3a} , and R_{3b} have two times the calculated resistance of the respective components R_2 and R_3 in Fig. 1. The amplification of the opamp is adjustable with P_1 , which should be set for reliable oscillation at virtually no distortion of the output sine wave. When the oscillator is properly aligned, the distortion should be less than 0.1%.

The use of the Type TLC271 CMOS operational amplifier results in a current consumption of only 0.32 mA at $U_o = 6 V_{pp}$. It is possible to use a special low-power opamp such as the type OP-22 biased with a resistance of $1 M\Omega$ to reduce the current consumption to

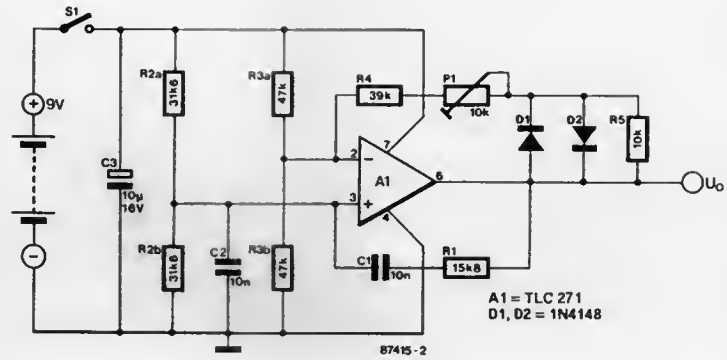
0.1 mA. However, this will cause the oscillation frequency to be limited to 1,000 Hz, due to the reduced slew rate at very low

bias settings, which in turn give rise to a strong increase in the distortion level.

Sv

PMI Application Note AB111.

2



A1 = TLC 271
D1, D2 = 1N4148

48

PRECISION CRYSTAL OSCILLATOR

from an idea by R Shankar

When designing crystal oscillators, it is good practice to ensure minimum capacitance of the active element(s), since any parasitic loading of the crystal is bound to derate the overall stability to some extent. This forms the underlying principle of the design described here, albeit that good results are also obtainable when an additional load capacitance is connected in parallel with the existing parasitic capacitance,

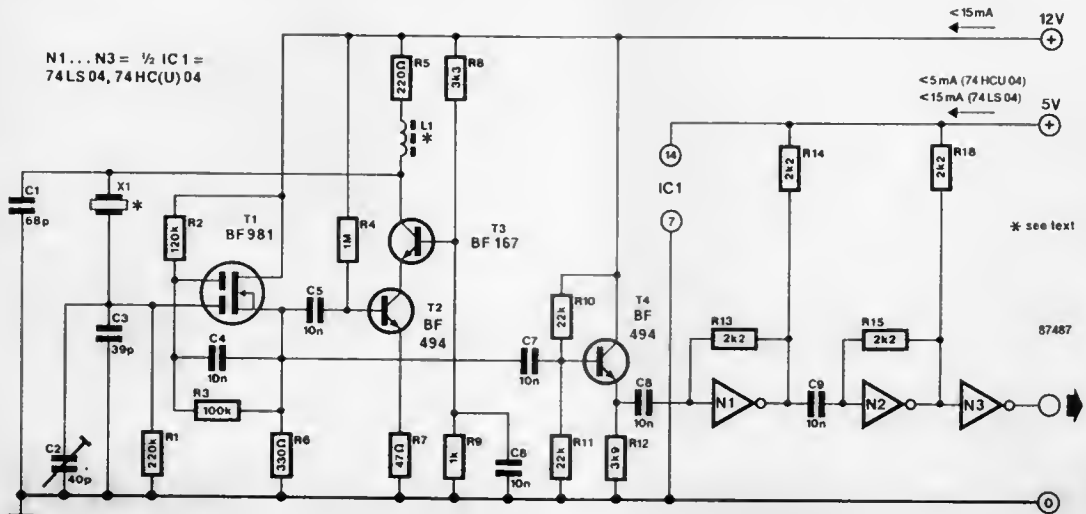
but only if the former is known to possess a low loss factor and a low temperature coefficient, i.e., if it is a very high quality capacitor (and possibly difficult to obtain).

The oscillator proposed here is a Pierce type, in which the crystal operates in parallel mode. The input is formed by a bootstrapped source follower, DG MOSFET T_1 , which has a parasitic capacitance of only 1 pF. RF transistors T_2 - T_3 are set up as a cascode amplifier. A type BF494 transistor is used in

the T_2 position because of its low B-E capacitance (0.15 pF typ.), which ensures a low output capacitance. The oscillator signal is taken from the source of T_1 , buffered in T_4 , and made logic compatible with the aid of gates N_1 - N_3 . The optimum inductance of L_1 is approximated with $L_1 = 1/f$, where the inductance and frequency are in milli-henries and megahertz respectively. Example: for $f = 10$ MHz, L_1 works out at $100 \mu H$. Trimmer C_2 serves to accurately tune the crystal

oscillator to the required frequency. The oscillator works well up to about 20 MHz. Finally, although the dissipation of the crystal is not expected to give rise to instability, it is still a good idea to keep an eye on its output amplitude so as to preclude the protective diodes in T_1 being activated and causing unacceptable instability. If required, R_7 is altered until the signal amplitude at the emitter of T_4 is less than 1 V_{pp}.

B



$N1 \dots N3 = \frac{1}{2} IC1 =$
74LS04, 74HC(U)04

* see text

87487

by C Sanjay

In many cases it may be necessary to switch between two or more aerials with minimum loss in the RF signal. Though this is not generally a problem at low frequencies, it becomes a serious one when the relevant signal is in the VHF/UHF range (50-960 MHz). The electronic switch described here keeps the switching losses minimal by making use of PIN diodes. PIN diodes are essentially current controlled resistors with properties that make them suitable for switching and attenuating RF signals. They differ from most other types of diode in that rectification of the input signal only occurs below a certain limiting frequency. Above this frequency, the resistance of a typical PIN diode will change from 1Ω to 10,000Ω when the control cur-

rent is reduced from 100 mA to 1 μA.

The circuit can switch up to four aerials, and is composed of two functional parts: the RF switching section, mounted onto the aerial mast, and the power supply & control section, kept near the receiver. In this way, the cost of setting up a multi-aerial system is reduced to some extent thanks to the use of a single downlead cable, instead of as many as there are aerials.

The required aerial is selected by biasing the corresponding PIN diode into conduction. Which of the four diodes conducts depends on the level and the polarity of the voltage applied to the switching unit via the downlead cable to the receiver. When, for example, input 1 is selected with S₁, the voltage on the core of the downlead cable is +12.7 V with respect to the cable screen,

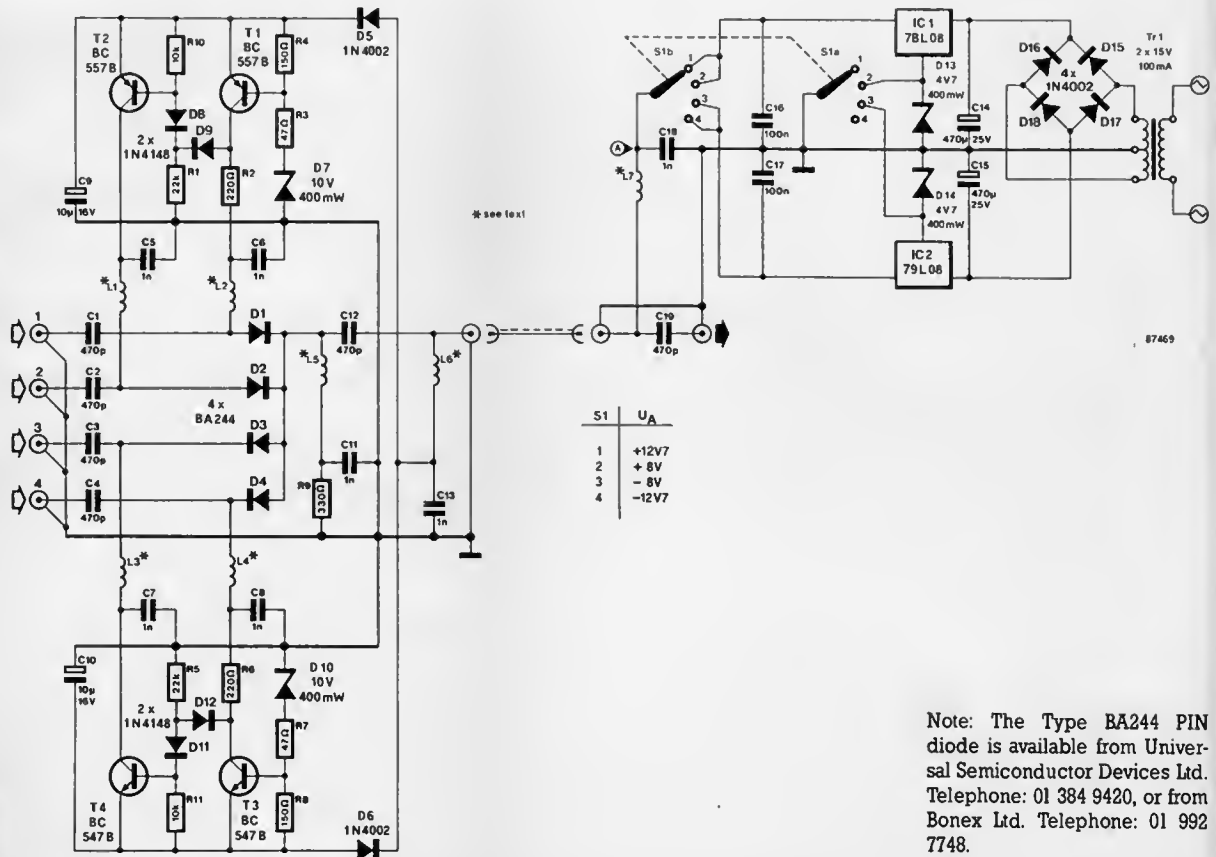
and can not reach the circuit around T₃ and T₄ because D₆ does not conduct. The level of the positive voltage causes zener diode D₇ to conduct, and so provides a bias for T₁, driving it into saturation. T₁ in turn provides the requisite bias for PIN diode D₁, and at the same time prevents T₂ from conducting. Input 1 is thus connected to the common output of the switching unit, through D₁. If S₁ is set to position 2, the supply voltage on the downlead cable falls to 8 V, which is insufficient for D₇ to conduct. T₁ now remains switched off, and T₂ is driven into saturation, providing the required bias current for the associated PIN diode, D₂. Diodes D₈ and D₉ prevent D₁ from being biased through R₂ and the base-emitter junction of T₂. Input 2 is thus connected to the common output through D₂. Similarly, when the voltage on the core of the downlead cable

is negative with respect to the screen, the circuit around T₃ and T₄ works as outlined above, with either D₃ or D₄ conducting, depending on the level of the voltage (-8 or -12.7 V).

Inductors L₁-L₆ prevent the RF signal from being earthed anywhere in the circuit, while L₇ prevents it from being short-circuited in the power supply. For VHF applications of the circuit, 5 μH inductors or chokes should be used in the L₁-L₇ positions, while 2 μH types are required for UHF operation.

The RF signal from the selected aerial is passed to the receiver input through C₁₉, which serves to block the direct voltage. In case balanced aerials are to be switched, their outputs must first be made unbalanced and, if necessary, transformed to 75Ω, using a balun.

Th



Note: The Type BA244 PIN diode is available from Universal Semiconductor Devices Ltd. Telephone: 01 384 9420, or from Bonex Ltd. Telephone: 01 992 7748.

by R van Laake & A Veen

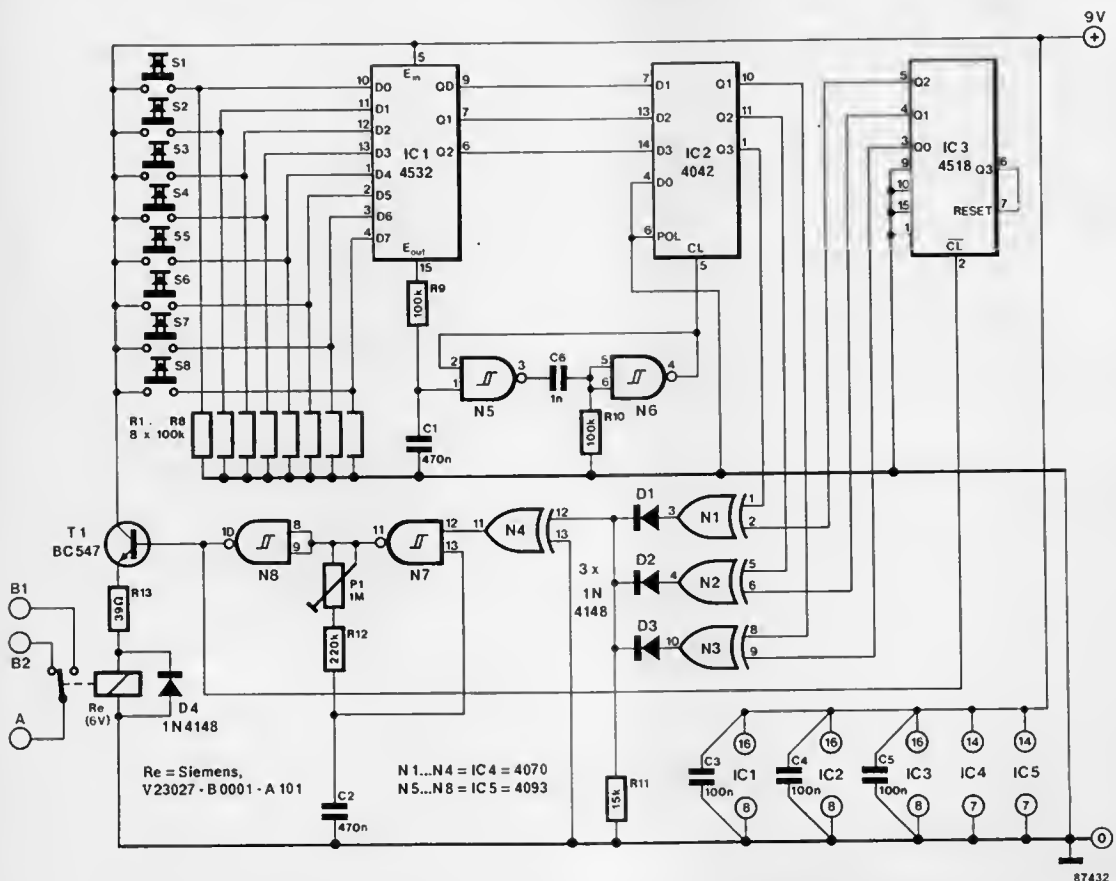
This circuit facilitates switching between programmed settings on synthesizers, expanders, and other electronic instruments. Most of these have some provision for storing or saving user-defined instrument settings, which are usually referred to as *patches* in the electronics enthusiasts' jargon. Although this facility is a great asset to many musicians, a problem arises when patches are to be called up in rapid succession while playing. On some instruments, this problem is solved by a pedal that, when pressed, enables the instrument to operate with the next patch from the user-defined file (patch increment pedal). In practice, however, the increment function of the pedal may still be considered cumbersome.

Assuming that the relevant instrument supports the use of eight patches, the pedal needs to be pressed no less than seven times to switch from, say, patch 3 to 2. This is obviously a distracting additional task when the keyboard is to be played simultaneously. This circuit uses a relay whose contact is connected to the pedal input on the instrument. The user presses a key numbered 1-8 to select the relevant patch, and the circuit arranges for the relay contact to be automatically actuated, simulating the number of pedal operations that would be required otherwise. With reference to the circuit diagram, IC₁ is a priority encoder whose outputs Q₀-Q₂ supply the binary code of the pressed key S₁-S₈. The pulse at terminal E_{out} is delayed in R₉C₁ and fed to N₅-N₆ which

serve to clock 4-bit latch IC₂. Outputs Q₁-Q₃ of this chip are applied to the inputs of XOR gates N₁-N₃, together with the outputs of counter IC₃, whose binary output state is initially assumed equal to that of IC₂. Pressing one of switches S₁-S₈ causes the output of IC₂ to change, and one of the XOR outputs to go high. This enables oscillator N₇, so that its output pulses, inverted in N₈ and buffered with T₁ energize the relay and increment the patch number on the instrument. The oscillator pulses are also applied to binary counter IC₃, which is set up to count from 0 to 7 because its Q₃ output drives the RESET input. After a maximum of 7 pulses, the logic levels applied to each of the XOR gates are equal again, so that the oscillator is disabled via N₄.

The choice between the make or break contact of the relay is governed by the type of pedal this circuit is to replace. Preset P₁ is adjusted such that the instrument is just capable of reliably following the actions of the relay. After turning on the equipment, it is necessary to first press S₁, then select the first program on the instrument, and finally make the appropriate connection between this and the patch catcher. The circuit, exclusive of the relay, consumes only a few milliamperes. The prototype, fitted with the stated Siemens relay, drew a mere 50 mA from the 9 V supply.

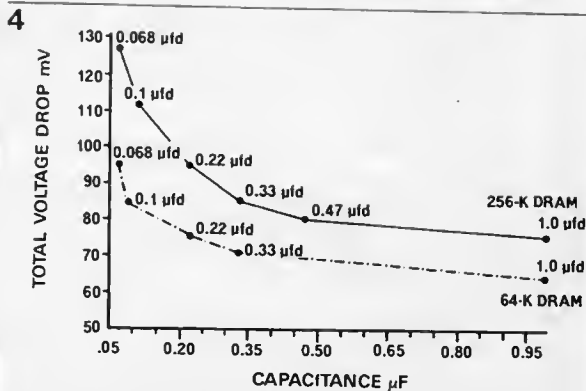
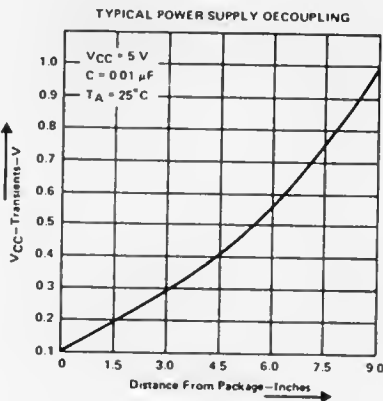
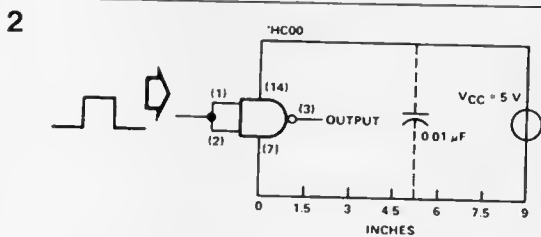
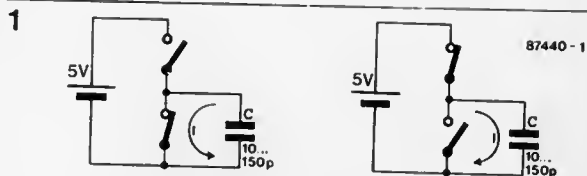
D



Failing to heed the importance of adequately decoupled supply rails is one of the most serious mistakes a constructor of digital circuits can make. Two important facts necessitate a reappraisal of the effectiveness of decoupling: the introduction of the fast HC and HCT series of CMOS chips, and the general availability of ever larger dynamic RAM (DRAM) devices. The 41256 256Kbit DRAM and 6264 CMOS SRAM, for instance, have become commonly used integrated circuits, available at relatively low cost. The fast spreading use of the new CMOS series of logic circuits has created the widely heard misunderstanding that these devices can be used without paying the least attention to decoupling of the supply lines. However, a reduced current consumption relative to TTL devices is by no means a carte blanche for designers to skimp on decoupling provisions, as will be seen below. Why does a logic circuit draw current? The current consumption of TTL chips goes mainly on account of indispensable, internal, resistors. CMOS structures are complementary, and theoretically consume no current at all in the *static* mode. As soon as any kind of switching is to be done, both by TTL and CMOS circuits, the charge of the capacitance at the output must be reversed as illustrated in Fig. 1. The switch currents internal to the IC are only a fraction of those required for the load capacitance, and can, therefore, be disregarded, except in the case of counters. TTL and CMOS circuits thus consume an equal peak current during switch operations. Decoupling capacitors are fitted direct to the IC supply terminals to prevent the instantaneous supply voltage from briefly dropping to an unacceptable level when the switching takes place. The graph in Fig. 2 is reproduced from a Texas Instruments data-book, and shows the correlation between the capacitor-to-package distance and the peak amplitude of the spikes on the

supply line to a typical HCMOS gate. This shows beyond doubt that decoupling capacitors must be fitted as close as possible to the IC supply terminals, to rule out the stray inductance of supply tracks on the PCB, however neatly these may run in parallel. Often, tuned circuits are designed with long supply tracks and a wrongly placed decoupling capacitor. Any spike is then subject to ringing effects, which further deteriorate the operation of the logic circuit in question. Not surprisingly, Mullard recommend a multi-path supply track when it is impossible to fit the decoupling capacitor close to the IC. This solution is called a *grid structure*, and is definitely preferable to creating relatively wide, single tracks—see Fig. 3. The value of the decoupling capacitor must be based on the foreseeable number of IC outputs that are *simultaneously* active. A conventional starting point is 20 to 100 nanofarad for every three ICs. Further reflection on this theme leads to the conclusion that the supply for a 256Kbit DRAM is far more difficult to decouple than that for, say, a 16 Kbit DRAM. Fortunately, the problems are not as serious as one would expect. In practice, the size of the chip carrier, and hence the parasitic capacitance, is constantly reduced by the manufacturers, whose foremost aim is to ensure optimum response of the device at high operating frequencies. Certain DRAM manufacturers recommend the use of 330n decoupling capacitors (see Fig. 4), but in practice no problems evolved from the use of the standard value of 100n.

W



From an idea by R de Haan

This circuit activates a relay upon detecting the absence of light on an LDR (light dependent resistor). It is particularly well suited to control outside lighting as used for driveways and garage entrances.

Contrary to its normal use as an astable or monostable multivibrator, the Type 555 IC in this circuit functions as a comparator. To explain this rather unusual application, it is necessary to note that the operation of a 555 is normally as follows: the output goes high upon receipt of a trigger (start)

pulse on input pin 2. This pulse is a voltage whose level is lower than $\frac{1}{3}$ of the supply voltage. The output goes low again when the voltage at the second input, pin 6, has briefly exceeded $\frac{2}{3}$ of the supply level. In the present design, the second input is not used, but the output of the chip can none the less revert to the low state, since pin 6 is connected direct to the positive supply rail. This set-up is accounted for by the accompanying Table, taken from the 555's data sheets.

In principle, the supply voltage for the circuit must equal the coil voltage of the relay. Do not

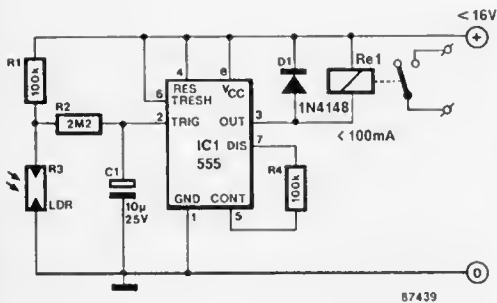
apply more than 16 V, however, as this may damage the 555. The current consumption of the circuit is 4 mA, exclusive of the relay, at a supply level of 12 V. Components R_2 and C_1 ensure a delay of about 10 s before the relay is energized, so that the circuit is rendered insensitive to rapid changes in the light intensity.

Basically, the circuit has no hysteresis effect. However, when the supply is not regulated, the actuation of the relay will lower the supply level somewhat. This lowers the internal threshold of the IC, since the trigger point is de-

finied as $\frac{2}{3}$ of the supply level (pin 2). Therefore, the hysteresis of the circuit can be dimensioned as required by fitting a resistor in series with the supply. It is also possible to fit a resistor between pins 5 and 7 of the 555, as shown in the circuit diagram. The amount of hysteresis is inversely proportional to the value of the resistor, and 100K is a reasonable starting point for experiments.

The sensitivity of the trigger circuit can be controlled if R_1 is replaced with a 1M0 potentiometer or preset.

W



NE555

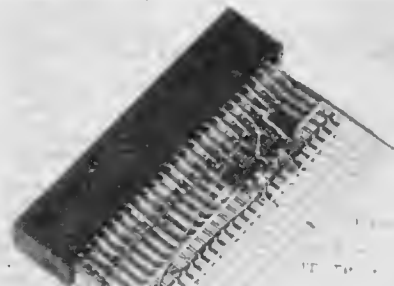
FUNCTION TABLE

RESET (4)	TRIGGER VOLTAGE (2)	THRESHOLD VOLTAGE (6)	OUTPUT (3)	DISCHARGE SWITCH
Low	Irrelevant	Irrelevant	Low	On
High	$< \frac{1}{3} V_{DD}$	Irrelevant	High	Off
High	$> \frac{1}{3} V_{DD}$	$> \frac{2}{3} V_{DD}$	Low	On
High	$> \frac{1}{3} V_{DD}$	$< \frac{2}{3} V_{DD}$	As previously established	

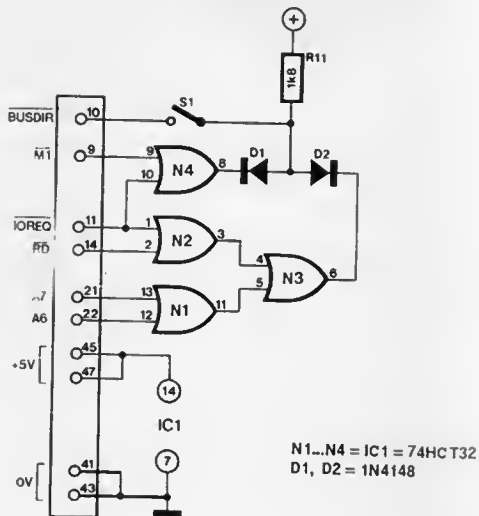
The majority of MSX computers do not require a BUSDIR (bus direction) signal from add-on circuits plugged into slots. A problem arises, however, if the extension circuits published in *Elektronika* are used in conjunction with, for example, a Sanyo MSX machine, which has a few peculiarities in its external I/O concept. In general, the more slots on an MSX computer, the higher the probability that either one of, or both, these circuits are required to be able to use the home-made extensions.

Two solutions are offered to provide for the BUSDIR signal.

One is usable for the *Universal I/O Bus* and the *I/O & Timer Cartridge*, the other for the *Cartridge Busboard*. Each of these circuits consists of one IC only. Circuit A is used with the two I/O extensions, and is readily incorporated in the computer, at a suitable location near the slot that receives the extension. If necessary, all slots on the computer are fitted with this circuit, but this makes it impossible to utilize cartridges that do supply a BUSDIR pulse, unless S_1 is included to disconnect the output of N_1 from slot pin 10. Note, however, that this switch must not be operated when the



A



computer is on.

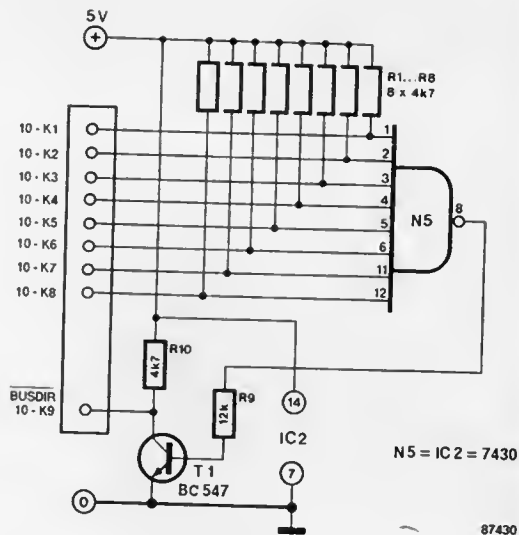
As I/O range 40h-FH is reserved for the computer-resident hardware, address lines A₆ and A₇ must be low for the selection of external I/O circuitry. Moreover, IOREQ and RD must be low to ensure that BUSDIR is only active when the CPU reads data from an I/O device. Interrupts from an external device can only be processed correctly when BUSDIR is low in response to M1 and IOREQ being low also. This requires an OR function for logic low levels:

BUSDIR =

$M1 \cdot IOREQ + IOREQ \cdot RD \cdot \bar{A7} \cdot \bar{A6}$
If you are hesitant about opening the computer to install circuit A, you may consider the use of a part of the EPROM cartridge board to hold the 74HCT32 as shown in the accompanying photograph. Note that the 50-way track connector plugs straight into a computer slot, and that a slot connector is fitted at the other side of the "adaptor-PCB" to receive cartridges.

Circuit B is intended for use on the Cartridge Busboard. Its

B



function is to pass BUSDIR from cartridges to the computer. To this end, it is necessary to first break the interconnecting tracks between the 50-way track connector separately available for wiring to 8-input NAND gate N₅. Inverter T₁ turns this simple add-on unit into an 8-input OR gate for logic low levels. The collector of this transistor is wired to pin 10 of K₉ on the busboard.

It may well happen that both circuit A and B are required for a specific I/O arrangement. In

that case, it is suggested to fit circuit A on one slot of the Cartridge Busboard, and consequently use only that slot for external I/O. Pin 8 of N₄ is then connected direct to the relevant input of N₅.

R

Note: articles in the series MSX Extensions were published in the following issues of *Elektronika*:

January 1986, February 1986,
March 1986, January 1987,
March 1987, April 1987.

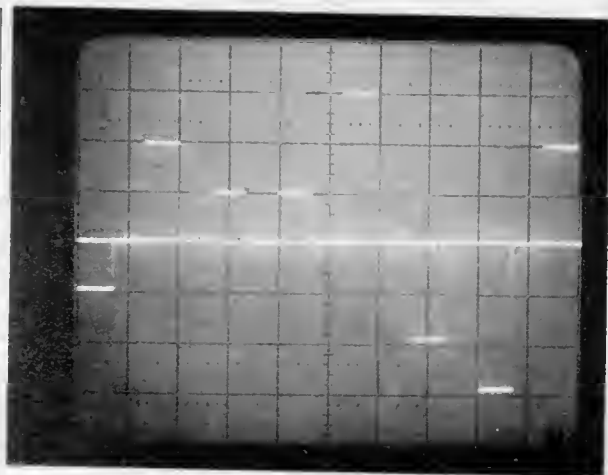
54

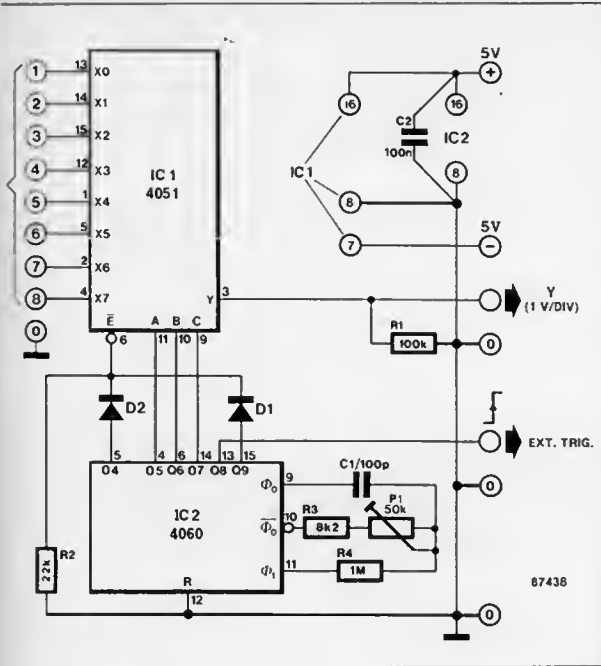
8-CHANNEL VOLTAGE DISPLAY

Simultaneously monitoring the trends of 8 slowly varying voltages is normally very difficult, if not impossible, even with the aid of 8 analogue or digital voltmeters. This circuit turns a common oscilloscope into a versatile 8-channel display for direct voltages. The trend of each of the 8 input levels is readily observed, albeit that the attainable resolution is not very high.

The circuit diagram shows the use of an 8-channel analogue multiplexer, IC₁, which is the electronic version of an 8-way rotary switch with contacts X₀-X₇ and pole Y. The relevant

channel is selected by applying an binary code to the A-B-C inputs. Example: binary code 011 (A-B-C) enables channel 7 (X₆ → Y). The A-B-C inputs of IC₁ are driven from three successive outputs of binary counter IC₂, which is set to oscillate at about 50 kHz with the aid of P₁. As the counter is not reset, the binary state of outputs Q₅, Q₆ and Q₇ steps from 0 to 7 in a cyclic manner. Each of the direct voltages at input terminals 1 to 8 is therefore briefly connected to the Y input of the oscilloscope. All eight input levels can be seen simultaneously by setting the time-





base of the scope in accordance with the time it takes the counter to output states 0 through 7 on the Q₅-Q₆-Q₇ outputs. The correct starting time for the oscilloscope trace is ensured by using the Q₅ output of the counter to supply the trigger pulse. Diodes D₁ and D₂ provide for some space between adjacent bars on the display, and create a horizontal reference line.

The timebase on the scope should be set to 0.5 ms/div, and triggering should occur on the positive edge of the external signal. Set the vertical sensitivity to 1 V/div. The input range of this circuit is from -4 V to +4 V, and connected channels are terminated in about 100K. Adjusting the 8-channel voltage display is straightforward. Simply select the previously mentioned scope settings, and adjust P₁ to make all 8 channels

visible over the full width of the scope screen—see the accompanying photograph. The circuit has a modest current demand of less than 5 mA from a simple ± 5 V supply, or from two 4.5 V flatpack batteries.

Th

55

TRACKING WINDOW COMPARATOR

by H Gulitz

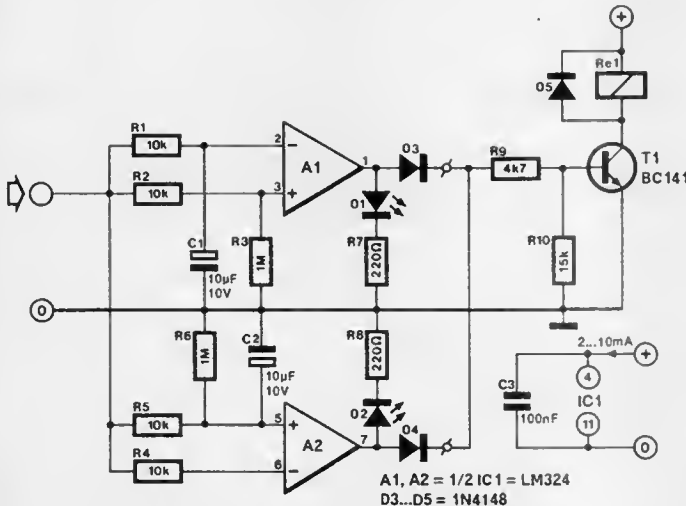
The use of comparator circuits in many different appearances and practical realizations is common in a wide variety of electronic control and measurement systems. Usually, the voltage from a sensor device is fed to a comparator which, as its name implies, compares the

measured level, U_{in} , with a fixed reference, U_{ref} , and produces a negative output (0) or positive output (1) when $U_{in} < U_{ref}$ and $U_{in} > U_{ref}$, respectively. A *window comparator* can be made by connecting two comparators with different reference levels, which define the upper and lower limit of the switching range.

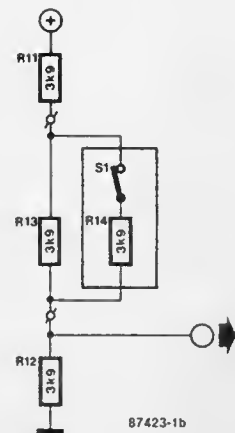
In practice, these references are usually adjusted with presets to dimension the window as required. This arrangement makes it impossible, however, to automatically shift the window up or down in accordance with, say, ambient light conditions to be measured with a light dependent resistor. This circuit has no fixed

threshold levels, but derives its reference from the measured signal, so that slow changes in this cause the window to track along. Capacitors C₁ at the inverting input of A₁, and C₂ at the non-inverting input of A₂ store the input voltage. When the voltage at the non-inverting input of A₁ rises, this opamp toggles. The

1a



b



87423-1b

associated inverting input lags, this change because of the delay introduced by the capacitor. LED D_1 lights. The process is similar in the A_2 section of the circuit when the input voltage drops. This is indicated by LED D_2 lighting.

Diodes D_3 and D_4 form an OR function to actuate a simple relay driver set up with T_1 . The relay is energized when the circuit detects a fast change in the input voltage. The ability of the

circuit to accept a variable input voltage makes it suitable for use in burglar alarms—see Fig. 1b. Several break contact arrangements R_{13} - S_1 - R_{14} may be connected in series and to the input of the window comparator. Alarm relay Re_1 is activated when either S_1 is opened or S_1 - R_{14} is bypassed. To prevent burglars from fooling the alarm, R_{14} must be fitted into S_1 , because no alarm signal is given when only S_1 is shorted.

The sensitivity of the tracking window comparator is defined by the ratios R_2/R_3 and R_5/R_6 . The relevant component values indicated in the circuit diagram give 1:100 ratio, so that, for example, a fast change of 30 mV is detected when the input voltage is 3 V. The sensitivity also depends on the input voltage. Although the circuit can in principle handle any input between 0 V and the supply level, the ICs used

give reliable operation only when driven between 1 and U_b-1 volt.

The tracking window comparator is preferably fed with a supply between 5 and 15 V. Its current consumption, inclusive of the LEDs but exclusive of the relay, is 10 mA maximum (note that the relay can be fed separately).

W

56

LOW VOLTAGE DROP REGULATORS

The fast spreading incorporation of CMOS, HC and HCT chips has created a need for voltage regulators with a very low internal drop to enable powering CMOS-based equipment from a set of batteries delivering 6 V. The recently introduced Types LP2951 and LP2950 from National Semiconductor are micropower voltage regulators with a variable output voltage of 1.24-2.9 V and a fixed output voltage of 5 V, respectively. The former features an internal voltage divider with a 5 V tap bonded out to a pin, a logic compatible shutdown input, and an open-collector ERROR output which warns of a low output voltage, often due to an insufficient battery voltage at the input. The ERROR output is extremely useful for an early warning system that arranges for a microprocessor to be reset properly before the supply voltage falls to a level that would upset the operation of the system it controls.

The voltage drop across the LP2951 is only 0.4 V at a load current of 100 mA, so a 6 V battery pack can be used to power a 5 V circuit. The quiescent current drain of the regulator is about 12 mA at an output current of 100 mA. This is fairly high as compared with a conventional regulator from the 78XX family, and mainly due to the internal series regulator transistor being driven into saturation, which causes it to have a relatively low current amplification factor (the base

current flows into the ground return line, instead of into the output load, as with the typical 78XX regulator).

The application circuit shown in Fig. 1a should be fed from an input voltage of more than 5.4 V, while its maximum output current is 100 mA. Note that both the LP2950 and LP2951 feature internal current and thermal limiting circuits. The decoupling capacitor at the output of the regulator should be a good quality tantalum type, fitted as close as possible to pins 1 and

4. At relatively low output currents, less capacitance is required in this location. For currents below 10 mA, 0.33 μ F is satisfactory, while the minimum value is 0.1 μ F for currents below 1 mA. These values apply to an output voltage of 5 V; for lower voltages, more output capacitance is needed.

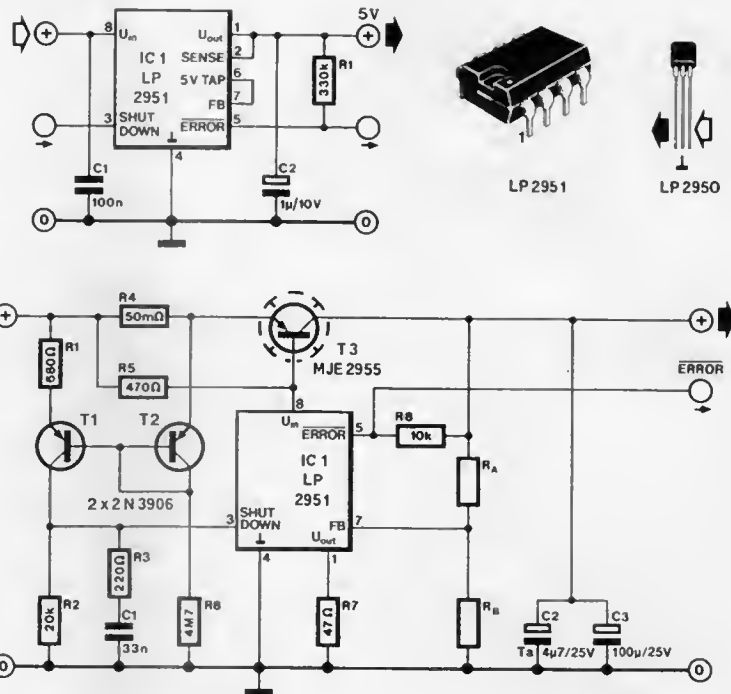
The circuit in Fig. 1b is a 2 A low dropout regulator based on the LP2951. The output voltage is calculated from

$$V_o = (1 + R_A/R_B) 1.23V$$

where 1.23 stands for the voltage at the feedback input, pin 7. For an output of 5 V, R_A and R_B may be omitted, and the feedback input pin 7 can be connected direct to the 5 V tap (pin 6) output. The sense input, pin 2, is then connected to the V_o rail. In this application, V_{in} must be at least 0.5 V higher than V_o .

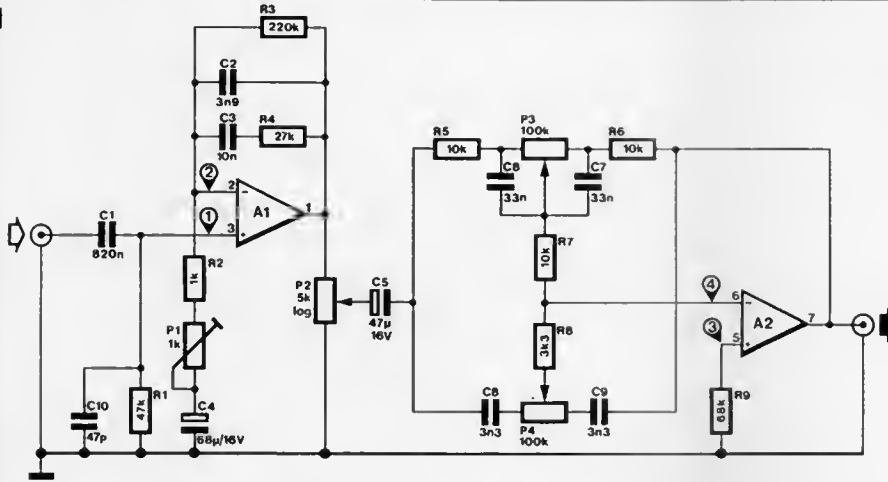
National Semiconductor applications.

R

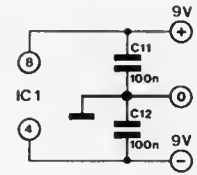


87428-1

1



A 1, A 2 = IC 1 = TLC272



This design answers the need for an inexpensive, yet good quality, preamplifier equipped with a tone control section.

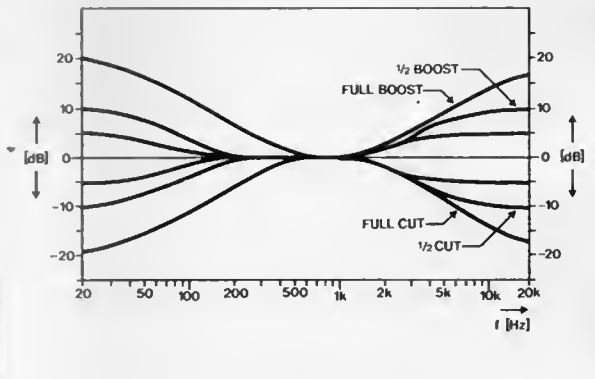
Fig. 1 shows the circuit diagram. The amplification of the input stage set up around opamp A₁ is adjustable between 10 and 20 with preset P₁. The 0 dB level at the input is 50 mV, while the input impedance and capacitance are 47 kΩ and 47 pF, respectively to enable ready connection of most record players and cassette decks. The tone control section is a standard Baxan-

dall type with P₃ and P₄ as the respective bass and treble controls. The gain vs frequency curves for various settings of the tone controls appear in Fig. 2. Here the 0 dB level corresponds to 1 V.

The current consumption of this preamplifier is modest at about 5 mA. When the circuit is correctly balanced, the indicated measuring points should all be very nearly at ground potential. The circuit shown here must, of course, be duplicated to obtain a stereo preamplifier.

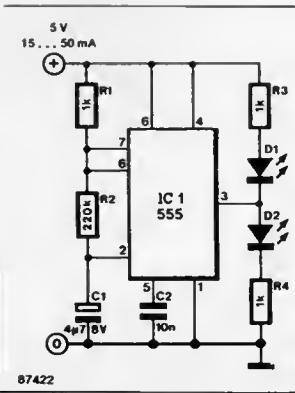
St

2



This application of the well-known Type 555 timer is intended for model railway enthusiasts wishing to construct a two-lamp flashing beacon with a minimum of components.

With reference to the circuit diagram, the number of LEDs need not be restricted to two: several may be connected in parallel to achieve a higher light intensity, but a total current consumption of 200 mA should not be exceeded to prevent the destruction of the output stages in the 555. Each LED added



should have its own current limiting resistor, similar to D₁-R₃ or D₂-R₄.

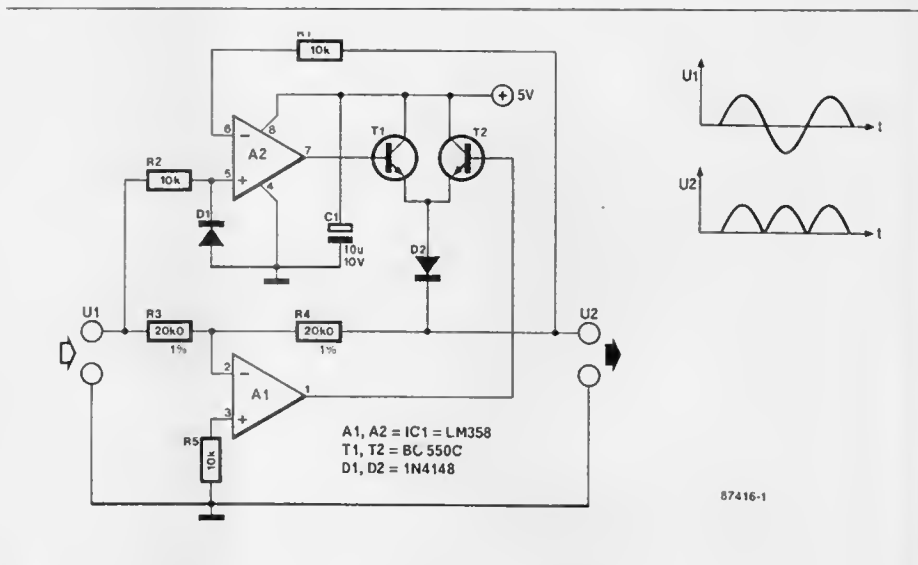
The flashing rate is defined with C₁. The stated value of this component is likely to be optimum for applications in model railways. The supply voltage for the circuit is not critical, but should remain within the range from 5 to 10 V. With two LEDs fitted and a 5 V supply, the flashing circuit should consume less than 50 mA. The intensity of the LEDs can be adapted to individual pre-

ference by changing R₃ and R₄, but too low resistance values should be avoided to prevent the destruction of the LEDs.

St

This precision rectifier operates from an asymmetrical supply, handles input signals up to $3 V_{pp}$ and has a frequency range that extends from DC to about 2 kHz. Its amplification is unity, and depends mainly on the ratio R_4/R_3 . Opamp A_1 is connected as a voltage amplifier ($A_0=1$), A_2 as an inverting amplifier ($A_0=-1$). Opamp A_2 , transistor T_1 and diode D_2 ensure that the output voltage, U_2 , is identical to the positive excursions of the input voltage, U_1 . When U_1 is positive, the output of A_1 is held low at about 0.25 V, so that T_2 is disabled and can not affect the rectified output signal.

Components R_2 and D_1 protect the pnp input stage in A_2 against negative voltages, which are effectively limited to $-0.6 V$. For negative excursions of the input signal, the function of A_1 , T_2 and D_2 is similar to the previously mentioned compo-



nents. The peak output voltage of the rectifier circuit is determined mainly by the maximum output swing of the opamps

and the voltage drop across the transistors plus D_2 : this amounts to about 3 V in all.

When the circuit is not driven, it

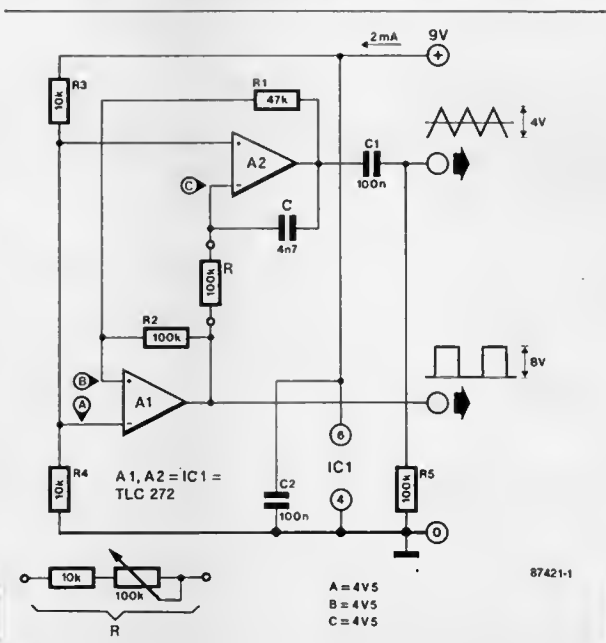
consumes about 1 mA, and is therefore eminently suitable for building into portable, battery-operated equipment.

Sv

This is a downright simple design for an AF function generator that supplies a rectangular and triangular signal, and can be fed from a single 9 V supply. The signal generator proper is a Type TLC272 dual CMOS opamp from Texas Instruments. This chip is remarkable for its low current consumption and wide operating range.

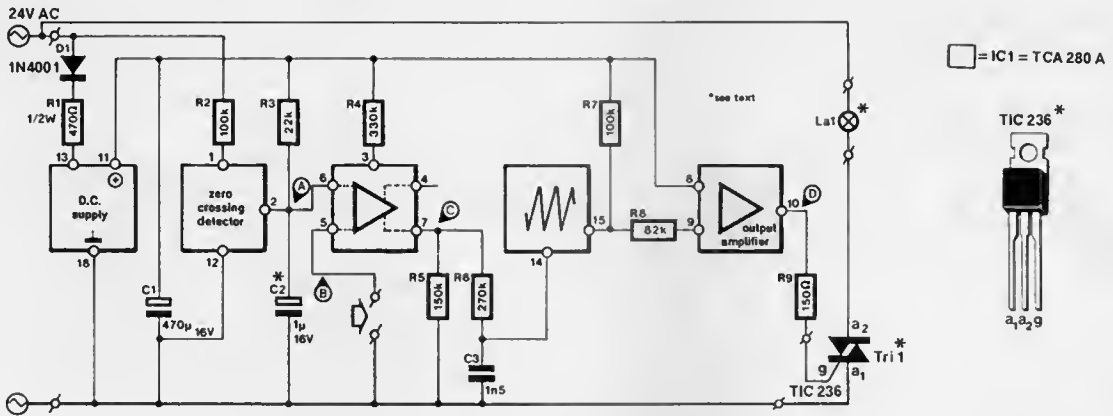
The circuit is essentially composed of two functional parts. Opamp A_1 is connected to function as a Schmitt-trigger whose toggle point is set to 4.5 V, while A_2 is an integrator that converts the rectangular signal from A_1 into a triangular waveform.

The oscillation frequency of the circuit is fixed solely by the ratio R/C and can be calculated from $f_0 = R_2/4RR_1C$. Resistor R may be replaced by the combination of the 10K resistor and 100K potentiometer as shown to



effect continuous adjustment of the output frequency within the AF signal band. The generator should not be terminated in less than 10K.

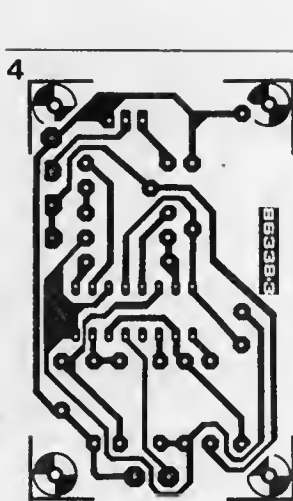
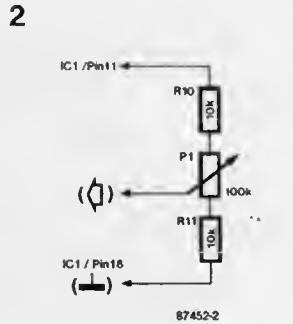
Sv



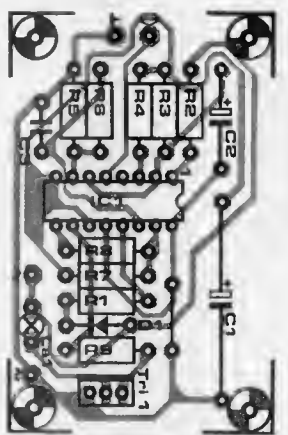
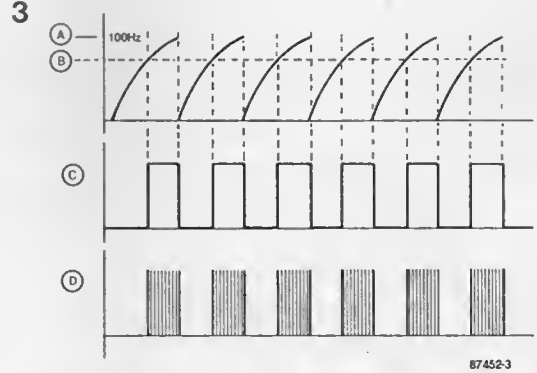
The circuit proposed here is suitable for fitting into slide projectors without a dimmer facility (24 V AC fed halogen lamps). With a few small alterations, it can also be used for dimming 12 V halogen lamps, but not those in a car, because these are fed from a DC source. The circuit shown in Fig. 1 is intended for operation from a 24 V AC supply, and can handle a lamp load of up to 150 W. For loads up to 250 W, the TIC236 should be replaced by a TIC246.

The illumination of the halogen lamp is controlled by applying a direct voltage to pin 5 of dimmer chip IC₁. A voltage of +2.5 V gives maximum illumination, while +5 V results in the lamp being turned off completely. The lamp intensity control range—2.5 V to 5 V—can be extended upwards by decreasing the value of C₂.

The TIC246 should be used when the circuit is to control a 12 V lamp that consumes more than 50 W. Figure 2 shows details of the connection of a potentiometer to the intensity control input of the TCA280A. Voltage divider R₁₀-P₁-R₁₁ is fitted externally and can be fed from the stabilized voltage available at pin 11 of IC₁. The minimum and maximum intensity of the lamp are determined by R₁₀ and R₁₁, respectively, so that the control range can be dimensioned to individual preference. When potentiometer



control is used, C₂ must always be 100n. Figure 3 shows the signal waveforms at various points in the circuit. The halogen lamp dimmer is constructed on a printed circuit board as shown in Fig. 4. When



the lamp power is greater than 15 W, the triac should be fitted onto a heatsink, and the tracks to the a1 and a2 terminals should either be covered with solder, or strengthened with short lengths of wire.

Parts list

Resistors (± 5%):

- R₁ = 470R; 0.5 W
- R₂; R₇ = 100K
- R₃ = 22K
- R₄ = 330K
- R₅ = 150K
- R₆ = 270K
- R₈ = 82K
- R₉ = 150R

Capacitors:

- C₁ = 470μ; 16 V; axial
- C₂ = 1μ; 16 V; axial*
- C₃ = 1n5

Semiconductors:

- D₁ = 1N4001
- Tri₁ = TIC236 or TIC246*
- IC₁ = TCA280A

Miscellaneous:

- PCB Type 87452 (see Readers Services).
- Heatsink for Tri₁.

* See text

by S G Dimitriou

This versatile circuit serves to raise the average output power of an AF amplifier. Its simplicity makes it suitable for applications in intercom systems, public address and discotheque equipment, and also in various types of transmitter.

Compression of music and speech essentially entails reducing to some extent the dynamic range of the AF input spectrum in order to drive an AF power amplifier with a fairly steady signal level just below the overload margin, thus increasing the average output power of the system. However, some distortion is inevitably incurred in the process of amplifying the relatively quiet input sounds and attenuating the louder sounds. It is evident, therefore, that the control of the amplifier/attenuator function in the compressor determines to a large extent just how much distortion is introduced by the circuit.

Before inserting any type of

compressor in an AF signal path, due consideration should be given to the *attack time* i.e., the time it takes the circuit to detect and counteract a sudden increase in the amplitude of the incoming signal. Allowing for personal preference and the character of the input signal (speech, popular music, etc.), the attack time of a compressor generally lies in the range from 0.5 to 5 ms. The *release time* of the compressor is the time it takes the circuit to return to the settings that existed before the rise in amplitude occurred. Contrary to the attack time, the release time is usually of the order of seconds. If it is made too short, the compressor's attenuating action may cause interference with the lowest components in the frequency spectrum. On the other hand, too long a release time (10-15 s) is also undesirable as this will give rise to an unrealistic and unpleasant effect caused by the output sound remaining com-

pletely muted long after the increase in input signal amplitude. In practice, the release time of a compressor will need to be adapted to meet the demand of the particular input signal; speech generally requires a longer release time than music. Some compressors have a provision for the setting of the release time, but the one proposed here is an auto-ranging type, that is, it arranges for the release time to change automatically with the instantaneous amplitude of the input signal.

Figure 1 shows the circuit diagram of this compressor. Despite its simplicity, the design responds adequately to a good number of contradicting requirements. As to its dynamic characteristics, an input signal change from 25 mV_{PP} to 20 V_{PP} (≈ 58 dB) is compressed into an output signal change from 1.5 V_{PP} to 3.4 V_{PP} (≈ 7.1 dB). For a less extreme signal change, e.g., from 25 mV_{PP} to 2.5 V_{PP}

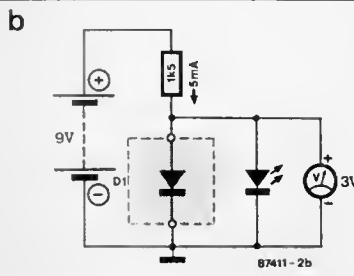
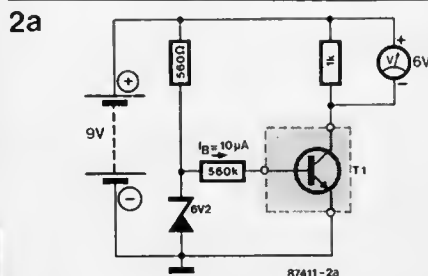
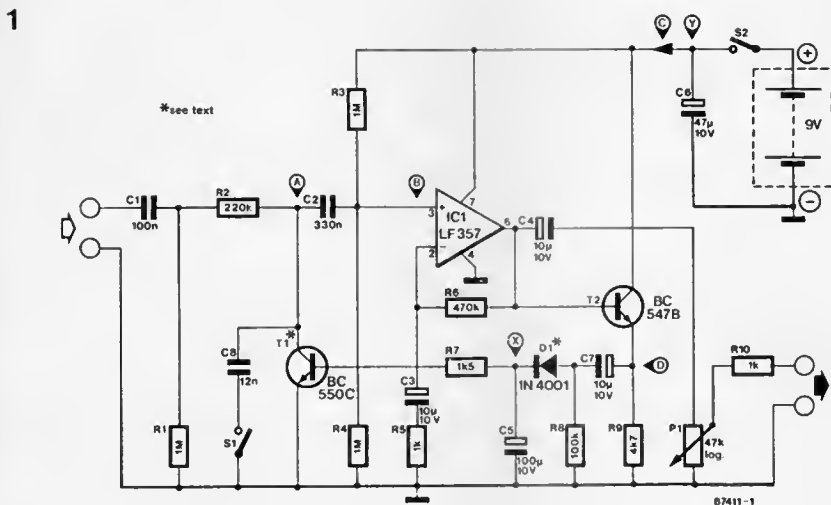
Measurement values:

- A = 0 V
- B = +4.5 V
- C = 6 mA
- D = 3.9 V

All values are typical and within 10%.
All voltages measured with respect to ground with a DMM ($Z_m = 1M\Omega$).

(≈ 40 dB), the compressed output signal changes from 1.5 V_{PP} to 2.25 V_{PP} (≈ 3.5 dB). The circuit has an extended frequency response from about 20 Hz to 40 kHz nominally, thanks to the use of a fast opamp, the Type LF357 (IC₁), which is set up here to provide an amplification of about 471 $[(R_6 + R_5)/R_5]$. Capacitor C₃ blocks the direct voltage at the inverting input of IC₁, and with R₅ sets the low-frequency roll-off of the opamp alone at about 16 Hz.

Resistors R₃ and R₄ bias the non-inverting input of the opamp—and hence its output—at half the supply voltage, ensuring optimum linearity. Capacitor C₂ feeds the input signal to the opamp while blocking the bias voltage at pin 3. Its value is not critical, but it has some effect on the low-frequency response of the compressor. The attenuator section in this circuit is essentially composed of R₂ and T₁. The collector of this transistor is held at 0 V with the aid of R₁ and R₂. In this way, T₁ is always operated in its saturation region, and its collector-emitter junction acts as a variable resistance controlled with the current fed to the base. The higher this current, the lower the c-e resistance, and the higher the instantaneous attenuation of the signal fed to IC₁. The controlling rectifier is composed of D₁-C₅-R₇. Transistor T₂ functions to provide the charge current for C₇ so as to avoid distortion otherwise incurred by too heavily loading the IC₁ output. The rectified voltage across C₅ is a direct measure of the output signal amplitude, and forward-biases the base of T₁, which regulates the attenuation as dis-



cussed. The use of a diode with a low internal resistance, D_1 , and a buffer, T_2 , ensures fast charging and slow discharging of C_s , and thus a short attack time and a long release time, respectively. As C_s is discharged via R_7 and the base resistance of T_1 , the release time of the compressor is the product of the value of these three components. When the base bias is reduced, the base resistance of T_1 increases, lengthening the release time. This is a most welcome feature, especially with speech signals. The output of the opamp is fed

to C_s - P_1 - R_{10} , which provide DC insulation and level adjustment. Two compressors are readily combined to make a stereo version by feeding them from a common battery and connecting points X and points Y (never X to Y!). In this case, T_1 and D_1 in both compressors must be matched types to ensure proper operation. Figure 2 shows two simple test circuits for selecting transistors and diodes with matching DC characteristics. The basic method is to start with noting the voltmeter reading for a particular device, and then find a

matching type from an available lot by inserting devices until one is found that gives the previously noted test voltage. In the diode test circuit, the LED lights to indicate the absence or reverse connection of a diode under test. Provision has been made to use the circuit as a noise suppressor. Referring to Fig. 1, closing S_1 connects C_s across the regulator transistor to form a low-pass filter in conjunction with R_1 and R_2 . The cut-off frequency of this LPF is a function of the current sent into the base of T_1 . The overall effect thus

obtained is an effective elimination of noise from quiet passages in the programme. For louder passages, the suppression of noise is not so important, as it is then virtually inaudible. Finally, when using this compressor, make sure that your amplifier has ample cooling provision, because it may well be continuously operated at the top of its power rating. For the same reason, check whether the loudspeakers can handle the available power.

SV

63

DISCRETE DAC

A digital-to-analogue converter (DAC) that is easy to build from a handful of readily available parts. The 8-bit digital input for the circuit is applied to resistors R_{17} - R_{24} incl., each of which drives an associated current source composed of two series-connected diodes, a transistor and a current defining resistor fed from the positive supply rail. A logic high level at the input causes the relevant current source to be switched on, a logic low level switches it off. The sum of currents from T_1 - T_8 incl. is arranged to pass through preset P_1 , which thus drops a voltage U_o in accordance with

the magnitude of the 8-bit word written to the circuit.

The current supplied by each current source is about $700/R_x$ [mA], where R_x is the value of the associated resistor between the emitter and the +V rail. In order to ensure satisfactory linearity of the analogue output voltage, resistors R_1 - R_8 incl. must be dimensioned to obtain a current ratio of 1:2 between any two adjacent sources. In practice, it is wise to first apply a logic high voltage to the MSB (most significant bit) input of the circuit, leaving the remaining inputs low, and measure U_o with the aid of a good-quality

voltmeter. Next, drive D_6 high and all other inputs low, and make sure that U_o drops to half the previously obtained level by dimensioning R_7 as required. The other current determining resistors are similarly established; the value of R_1 - R_8 incl. that gives the correct level of U_o is obtained by making suitable combinations of series and/or parallel connected high stability resistors. Alternatively, it is possible to use multi-turn presets. As all resistors R_1 - R_7 incl. must be dimensioned starting from a particular value of R_8 , this resistor must first be calculated considering that the

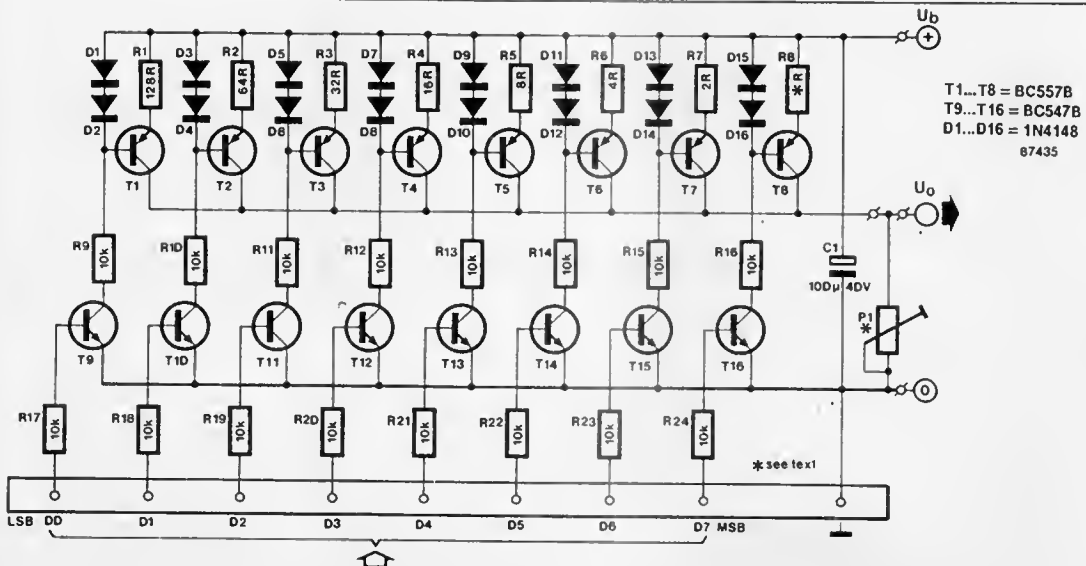
output linearity of the circuit is affected unless

$$1.4P_1/R_8 < |U_b| - 2$$

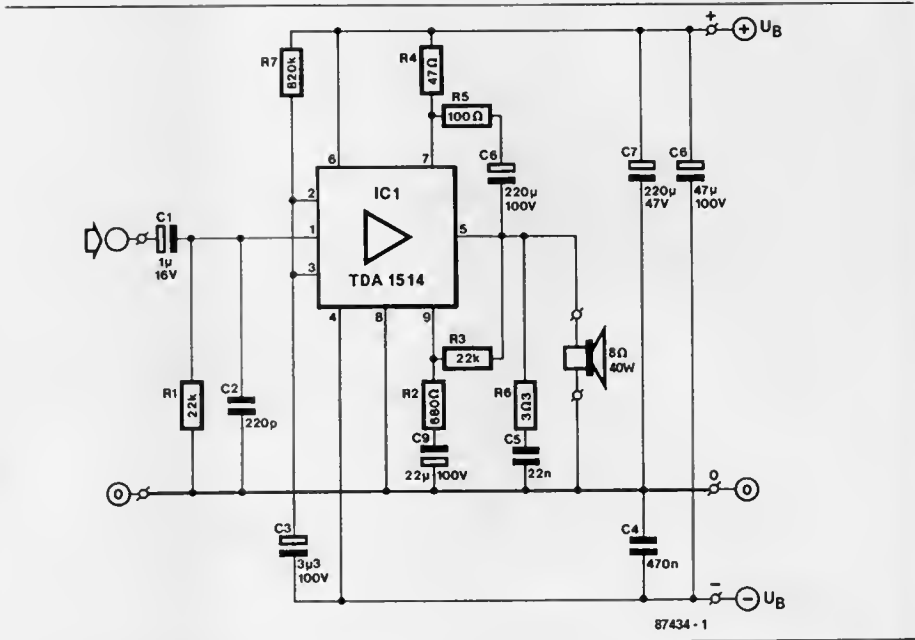
In practice, the maximum feasible level of U_o is about $1/2 U_b - 1$ [V] with only MSB high, and this level should be observed in the dimensioning of R_8 and the setting of P_1 .

Although this 8-bit DAC should be sufficiently accurate for most practical applications, it is of course possible to opt for a greater or smaller number of current sources with a corresponding increase or decrease in the available resolution of U_o .

AR



To answer the need for a compact amplifier that is capable of satisfactory operation when driven from a compact disc player, Philips have developed the Type TDA1514 AF amplifier chip, which is remarkable for its excellent specifications, ruggedness and output power. The device is housed in a 9-pin SIL POWER enclosure which has a thermal resistance of less than 1.5 K/W, so that the heatsink required must have a thermal resistance of no more than 3.8 K/W if the chip is operated at its maximum dissipation of 19 W ($U_b = \pm 27.5$ V, $T_a = 50^\circ\text{C}$). The circuit diagram shows that very few components are needed to make this high-performance amplifier. The power supply to feed the chip must be capable of delivering a current of at least 3 A; the quiescent current demand of the amplifier as shown is about 60 mA. The supply voltage should not exceed ± 27.5 V. Although this project is not supported by a ready-made printed circuit board, you should not experience too much difficulty in constructing the amplifier if it is built on a piece of Veroboard. Make sure, however, that the tracks and connections to the supply and output terminals are as short as possible, and use double tracks where this is necessary. In this context, it is advisable to fit decoupling capacitors C_3 and C_8 as close as possible to the chip supply pins. Resistors R_2 and R_3 deter-



mine the amplifier's closed loop voltage gain, which has a range of 20 to 46 dB. Finally, some measurement data obtained with a prototype of the amplifier:

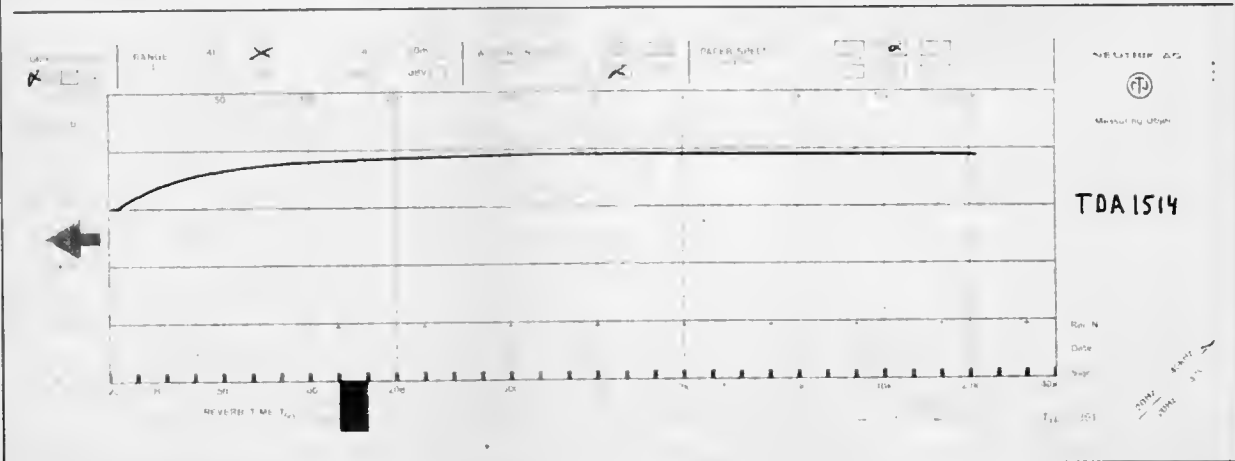
- P_o at $D_{tot} = -60$ dB;**
- $U_b = \pm 27.5$ V; $R_L = 8\Omega$: 40 W**
- S/N at $P_o = 50$ mW: 82 dB**
- Supply ripple rejection at $f = 100$ Hz: 72 dB**
- Harmonic distortion at $P_o = 32$ W: -85 dB**
- Intermodulation distortion at $P_o = 32$ W: -80 dB**
- 3 dB bandwidth at $D_{tot} = -60$ dB: 20-25 000 Hz**
- Slew rate: 15 V/ μ s**

Table

Total harmonic distortion level						
Order no.	1	2	3	4	5	6
100 Hz	-79	-84	-84	-	-	-
1 kHz	-69	-82	-78	-86	-82	-
10 kHz	-55	-76	-65	x	x	x

- : below analyser's noise floor (-87 dB)
x: analyser unsuitable for measurement.

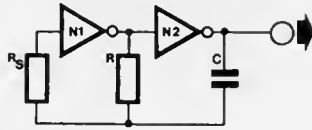
The gain vs frequency curve provides very good sound and the harmonic distortion reproduction at a considerable table show that this amplifier output power level.



When frequency stability is not of prime importance, a simple, yet reliable, digital clock oscillator can be made with the aid of relatively few components.

High-speed CMOS (HCU/HCT) inverters or gates with an inverter function are eminently suitable to make such oscillators, thanks to their low power consumption, good output signal definition and extensive frequency range.

The circuit as shown uses two inverters in a 74HCT04 or



N1, N2 = 1/3 IC1 = 74HCT04, 74HCU04 87437

74HCU04. The basic design equations are for HCU: $f=1/T$; $T=2.2RC$; $3V < V_{cc} < 6V$; $I_c = 13 \text{ mA}$

$4.5V < V_{cc} < 5.5V$; $I_c = 2.25 \text{ mA}$

$R_2 \geq 2R$; $1K\Omega \leq R \leq 1M\Omega$; $C \geq 10 \text{ nF}$.

for HCT: $f=1/T$; $T=2.4RC$;

With R_2 and R calculated for a given frequency and value of C ,

both resistors can be realized as presets to enable precise setting of the output frequency and the duty factor. Do not forget, however, to fit small series resistors in series with the presets, in observance of the minimum values for R and R_2 as given in the design equations. The values quoted for I_c are only valid if the inputs of the remaining gates are grounded.

Source: Philips CMOS Designers Guide, January 1986, p. 105 ff. St

by R Shankar

Switching audio signals digitally could be done with the aid of CMOS analogue switches or multiplexers. Simple as this may seem, there is, however, an inevitable loss in the quality of the sound due to the noisy nature of CMOS switches. Furthermore, the high on-resistance of these devices together with the large parasitic capacitances generally present

in CMOS circuits causes a high susceptibility to crosstalk. The circuit given here is a novel way of selecting one out of ten audio signals digitally without any of the foregoing drawbacks.

As shown in the circuit diagram, the ten input signals numbered 1-10 are applied to the bases of transistors T_1 - T_{10} via capacitors C_1 - C_{10} respectively. The bias voltages for the

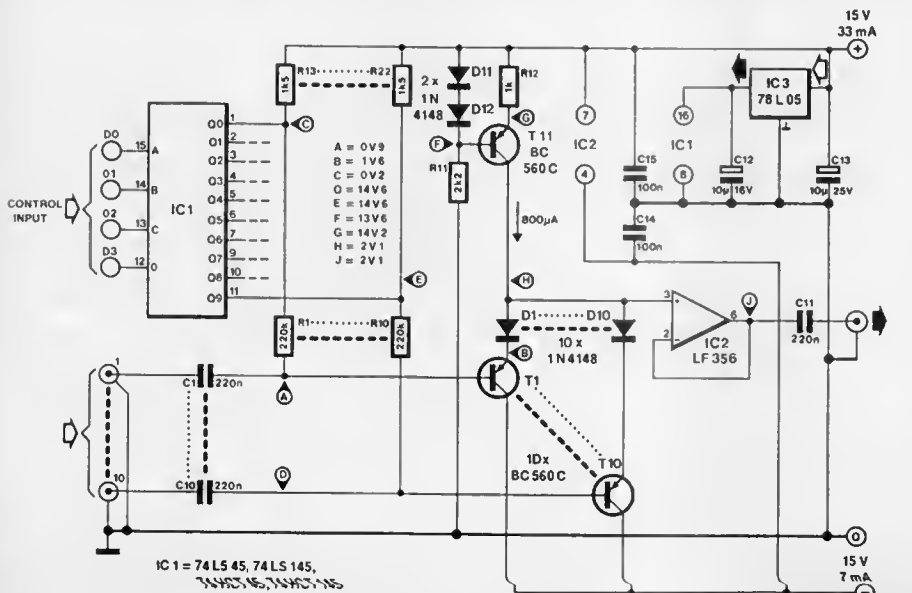
transistors are obtained with the aid of R_1 - R_{10} . Depending on the binary state applied to IC_1 , one of its outputs Q_0 - Q_9 goes low. For example, if the input code is 0010, Q_2 goes low, pulling the base of T_3 to 0 V, while the bases of all other transistors are raised to nearly +15 V. Therefore, T_3 works as an emitter follower while the other transistors are effectively reverse

biased. The output rail of the transistor array is connected to voltage follower IC_2 , which provides the output signal of the digital audio selector.

Voltage regulator IC_3 is required only if a +5 V rail is not available. If the number of channels required for a particular application is less than 10, the relevant components can be omitted. If a mute facility is required, simply short one input to ground to silence the output on selection of the corresponding channel.

This circuit can handle input signals up to $4 V_{rms}$. The total distortion does not exceed 0.01% for frequencies up to 20 kHz. The crosstalk incurred in this circuit is less than -80 dB. This value can be attained by paying due attention to the layout of the practical circuit, the decoupling of the supply lines (fit C_{14} and C_{15} direct to the relevant pins of the opamp), and the use of good quality components.

The measuring values indicated in the circuit diagram were obtained in a prototype. All voltages are measured with respect to ground with the aid of a DMM ($Z_{in} = 1M\Omega$). The channel selected was number 1.



IC1 = 74LS45, 74LS145, 74LS05, 74LS04

by P Techer

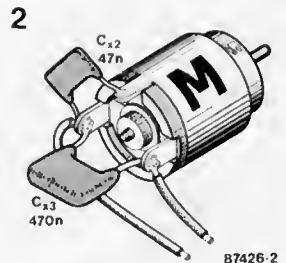
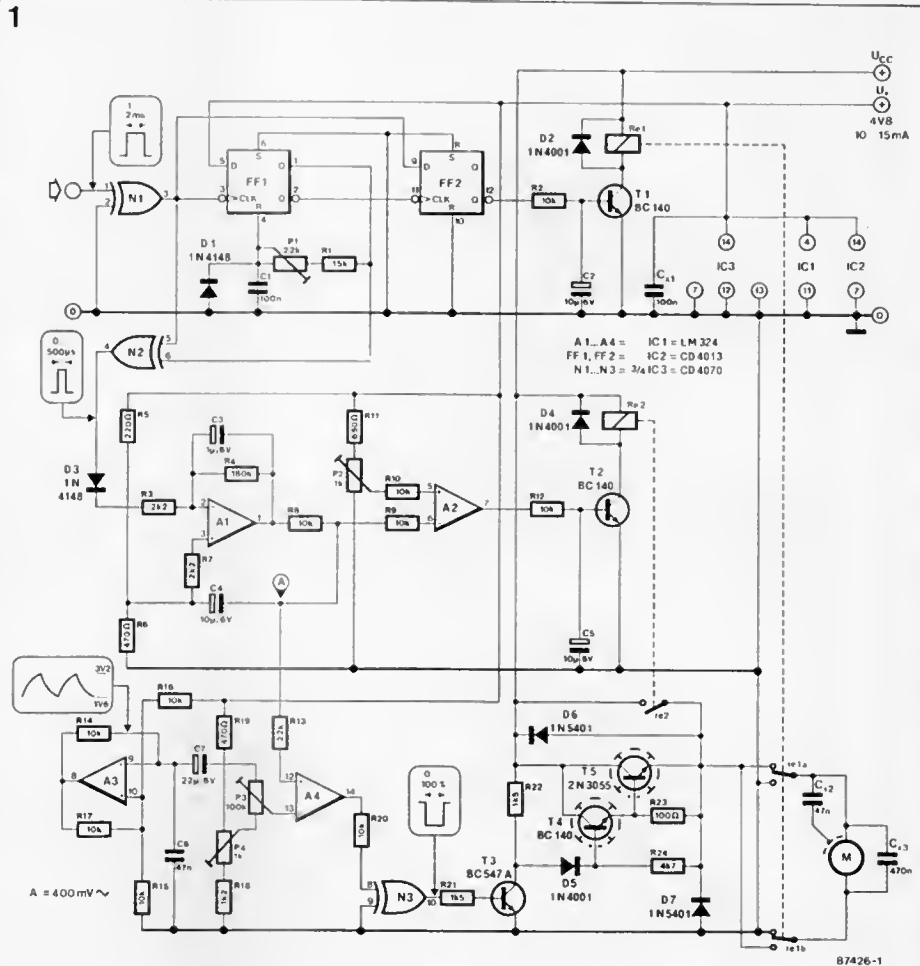
The speed and direction of rotation of a motor in a radio controlled model aeroplane or boat is generally controlled by pulse width modulation of the supply voltage to the motor driver stage.

In the present circuit, shown in Fig. 1, bistable FF₁ is set up rather unconventionally to function as a monostable multivibrator, whose period is set with R₁-C₁-P₁. This period determines the toggle point at which the motor's direction of rotation is reversed. Output Q of FF₂ goes high when the pulse at the D input (PWM signal) is shorter than that at the CLK input (signal from FF₁). This causes T₁ to actuate Re₁, so that the motor direction is reversed. The PWM control signal applied to the circuit is also fed to N₂, whose output pulse width is the difference between that of the input signal and that from FF₁. The pulse width at the output of N₂ therefore increases as the relevant control handle on the transmitter is moved further towards either extreme, and is maximum when the handle is in the central position. The output of N₂ is integrated by A₁ to obtain an output voltage proportional to the pulse width. A₄ compares this output voltage with the triangular signal at the wiper of P₃, so that a variable duty factor signal is obtained when the frequency is increased, care should be taken to observe the maximum switching speed of T₅, which is a commonly available, but relatively slow power transistor. Presets P₄ and P₃ determine the limits of the inoperative range of the handle, and the point that corresponds to maximum motor speed, respectively. More specifically, P₃ sets the amplitude of the triangular signal, while P₄ sets the offset level, to enable A₄ to output the triangular wave undistorted and with the maximum possible voltage swing. Preset P₂ is used to define the point at which the motor is switched to full speed. Some care should be taken in this setting to allow a suf-

ficiently large control range for the handle, and also to avoid the risk of Re₂ clattering or being blocked.

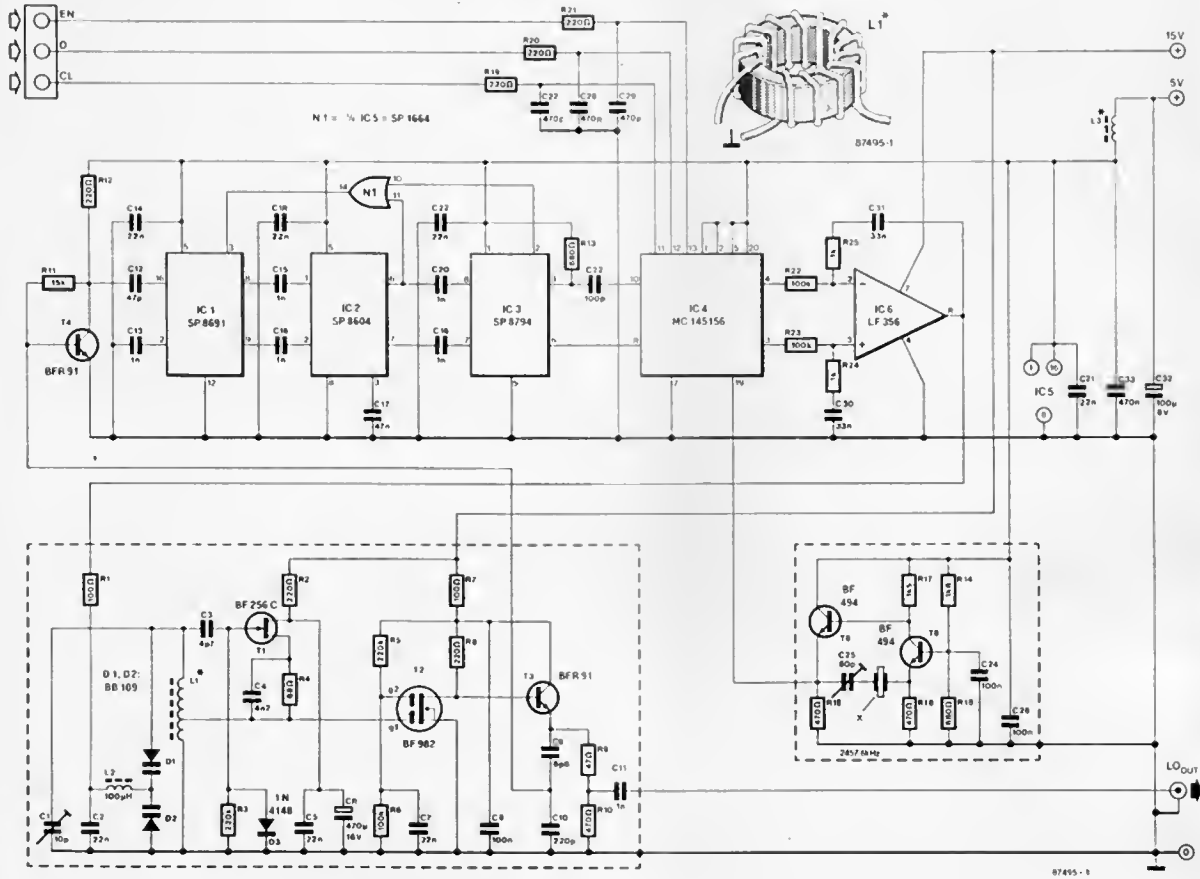
Be sure to fit the 470nF capacitor across the motor terminals, and the 47nF capacitor between one of these and the motor body—see Fig. 2. The coil voltage of the relays should be equal to the voltage for the battery that powers the motor, while the contacts must be capable of handling the current demand of the motor. Transistors T₄ and T₅ should be fitted with a heatsink. Note that although the Type 2N3055 can handle currents up to 10 A, it may be a good idea to fit two in parallel with 0R1 emitter resistors for equal current distribution when heavy loads are to be controlled. The cur-

rent rating of D₆ and D₇ must also be observed: for the stated 1N5401s, I_{f(max)} = 3 A, and two may have to be connected in parallel when this current is approached. Finally, U₊ is the model's battery voltage (4.8 V), and +U_{cc} is the supply voltage for the motor.



rent rating of D₆ and D₇ must also be observed: for the stated 1N5401s, I_{f(max)} = 3 A, and two may have to be connected in parallel when this current is approached. Finally, U₊ is the model's battery voltage (4.8 V), and +U_{cc} is the supply voltage for the motor.

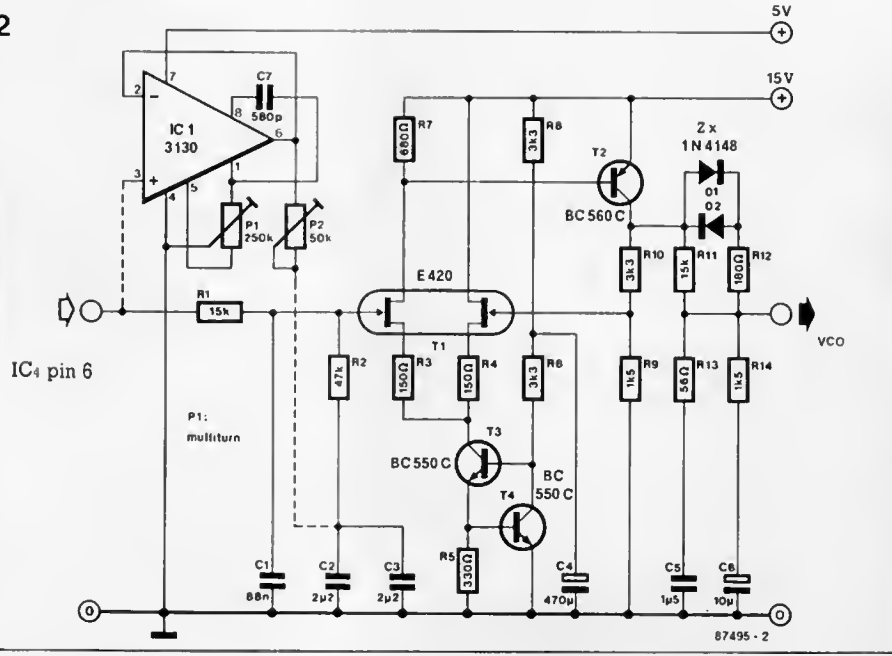
1



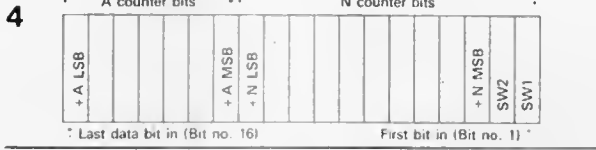
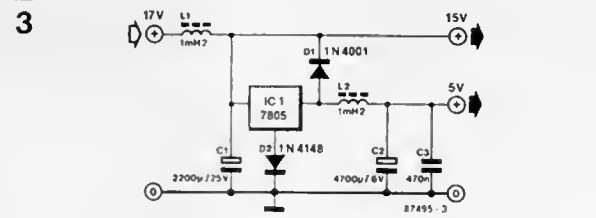
The synthesizer shown in Fig. 1 is computer controlled, and outputs a local oscillator signal (LO) between 48 and 78 MHz for driving the mixer in the SW receiver proposed on page 00. The circuit is based on the Type MC145156 synthesizer from Motorola. This IC is relatively inexpensive, and ensures good LO suppression in the receiver when used in combination with a good mixer. Also of interest is its serial control input, which enables the output frequency to be programmed from a computer.

The internal reference frequency, 1200 Hz, is obtained by dividing the signal from oscillator T_5 - T_6 by 2048. The DAC connected to the output of the first LO gives a resolution of $1200/255 \approx 5$ Hz. The divider composed of IC₁, IC₂, IC₃ and N₁ has a prescale factor of

2



128/129. Opamp IC₂ is connected as a simple loop filter with a reference signal rejection of about 60 dB. An alternative filter that ensures a rejection of 80 dB, but has a slightly longer settling time, is shown in Fig. 2. This circuit is driven from the phase detector output of the synthesizer chip. Opamp IC₁ is used in a speed-up circuit that may be included to equal the settling time of the filter with IC₂. Diodes D₁-D₂ also serve to shorten the lock-in period of the synthesizer. The use of the Type E420 (T₁) is not obligatory: other types of AF double FET should also work in this application. The power supply for the synthesizer is shown in Fig. 3. The L-C filter in the +5 V rail suppresses noise on the synthesizer supply, and D₂ has been included to compensate for the drop across choke L₂. The data format for program-



ming the MVC145156 is shown in Fig. 4. Bits SW₁ and SW₂ control the switching outputs, and are not used here. The synthesizer divides by 128N + A: when counter A reaches state 127, N is increased by 1, and A becomes 0. Data is latched into the synthesizer on the trailing edge of the clock signal. When

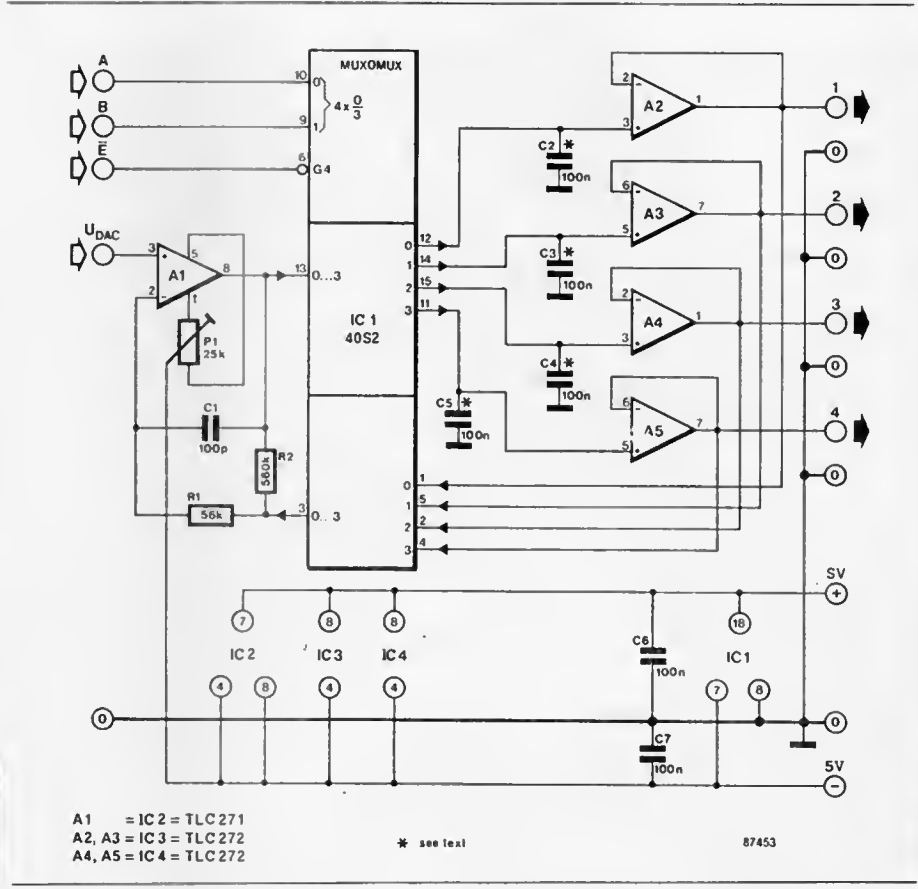
the control word is complete, the enable signal is briefly made high to transfer the data from the shift register to the programmable dividers. The squelch is then enabled to suppress locking and tuning noises. The construction of this synthesizer requires some experi-

ence in building RF circuits. The ECL dividers and the synthesizer chip should lie upside down on an unetched board to enable effective grounding and cooling. The chips are interconnected with the shortest possible wires. Great care should be taken in the construction of the VCO and the TXO. These sections should be screened and built such that mechanical stability is ensured at all times. VCO inductor L₁ is especially critical in this respect: make sure that the wire turns are secure on the core. Finally, the winding data for the home-made inductors in this circuit: (use enamelled copper wire): L₁ (VCO): 14 turns 22SWG (∅ 0.8 mm) on a T50-12 core, tap at 4 turns from ground; L₂ (+5 V rail): 8 turns 30 SWG (∅ 0.3 mm) through a ferrite bead.

69

4-WAY DAC EXTENSION

This extension circuit makes it possible to use a single DAC (digital-analogue converter) for generating four analogue voltages. Evidently, the cost of the extension described here is only a fraction of that of four DAC chips. The operation of the 4-way DAC is fairly simple. Assuming that inputs A, B and E of multiplexer/demultiplexer IC₁ are driven low, the output of A₁ is fed to the + input of A₂, while the output of this opamp is connected to the - input of A₁ via the demultiplexer and R₁. Capacitor C₂ functions as a storage device. The output voltage available at terminal 1 equals U_{DAC} because A₁ is dimensioned for unity gain. When the E input is driven high, or when a new code is applied to inputs A-B, the input voltage for A₂ is derived from C₂, so that the programmed voltage remains available at the output. The function of the other output buffers and capacitors is, of course, similar to that of A₂-C₂. For optimum performance, C₂-C₅ should be low leakage capacitors, e.g. multilayer MKT, and the input current to A₂-A₅



should remain low. The latter condition is satisfied by using opamps with FET inputs (typical bias current: 1 pA). Only A₁ requires an offset compensation since feedback is provided via the lower multiplexer

in IC₁. The E (enable) input serves to disable IC₁ during switchover to another channel. R₂ then gives A₁ unity gain to prevent the - input being left open. When a Type HCT4052 is used

in the IC₁ position, standard TTL levels can be used to drive inputs A, B and E. A "normal" CMOS 4052 requires 5K6 pull-up resistors to be fitted on these inputs, but only if TTL signals are used to drive the extension.

The current consumption of the circuit is less than 10 mA. U_{DAC} should be between -3.5 V and +3.5 V.

Th

70

VARIABLE WIEN BRIDGE OSCILLATOR

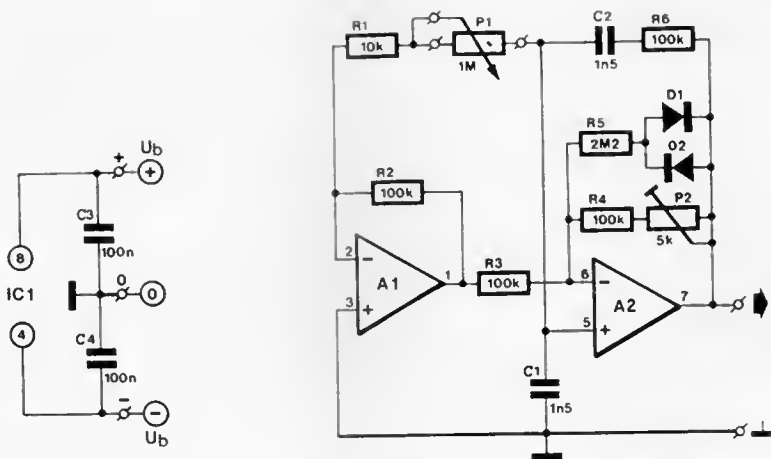
A Wien bridge oscillator can be made variable by using two frequency determining parts that are varied simultaneously at high tracking accuracy. High-quality tracking potentiometers or variable capacitors are, however, expensive and difficult to obtain. To avoid having to use such a component, this oscillator was designed to operate with a single potentiometer. The output frequency, f_o , is calculated from

$$f_o = 1 / (2\pi RC\sqrt{\alpha})$$

where $R = R_2 = R_3 = R_4 = R_6$, $C = C_1 = C_2$, and $\alpha = (P_1 + R_1)R$. Preset P₂ allows adjusting the overall amplification such that the output signal has a reasonably stable amplitude (3.5 V_{pp} max.) over the entire frequency range.

The stated components allow the frequency to be adjusted between 350 Hz and 3.5 kHz. Other frequency ranges are readily defined with the aid of the above formula, although it should be noted that the upper

1



D1, D2 = 1N4148

A1, A2 = IC1 = TLC272, TL072, OP-221 87441

frequency limit is determined mainly by the gain-bandwidth product of the opamps Type OP-221 and TLC272. The current consumption of the oscillator depends on the type of opamp

used. The following values were measured: OP-221: 0.5 mA; TLC272: 2 mA; TL072: 2 mA. The construction of the oscillator should present very few problems since a ready-made

circuit board is available through our Readers Services. Sv

(PMI Application)

Parts list

Resistors (± 5%):

- R₁ = 10K
- R₂; R₃; R₄; R₆ = 100K
- R₅ = 2M2
- P₁ = 1M0 linear potentiometer
- P₂ = 5k0 preset

Capacitors:

- C₁; C₂ = 1n5
- C₃; C₄ = 100n

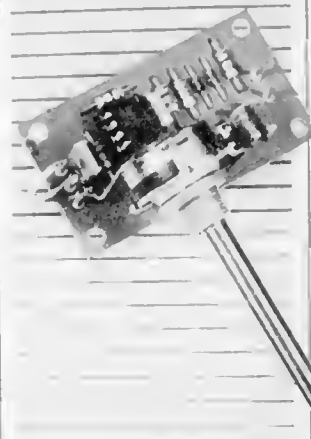
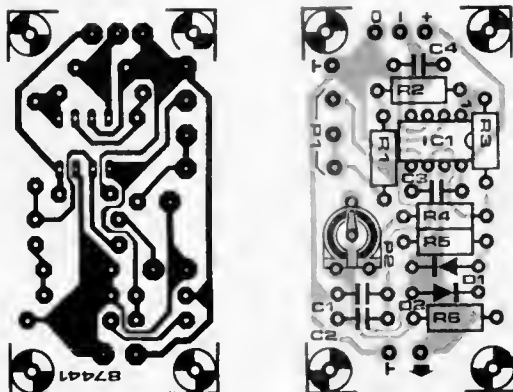
Semiconductors:

- D₁; D₂ = 1N4148
- IC₁ = TLC272 or TL072 or OP-221

Miscellaneous:

- PCB Type 87441 (see Readers Services).

2

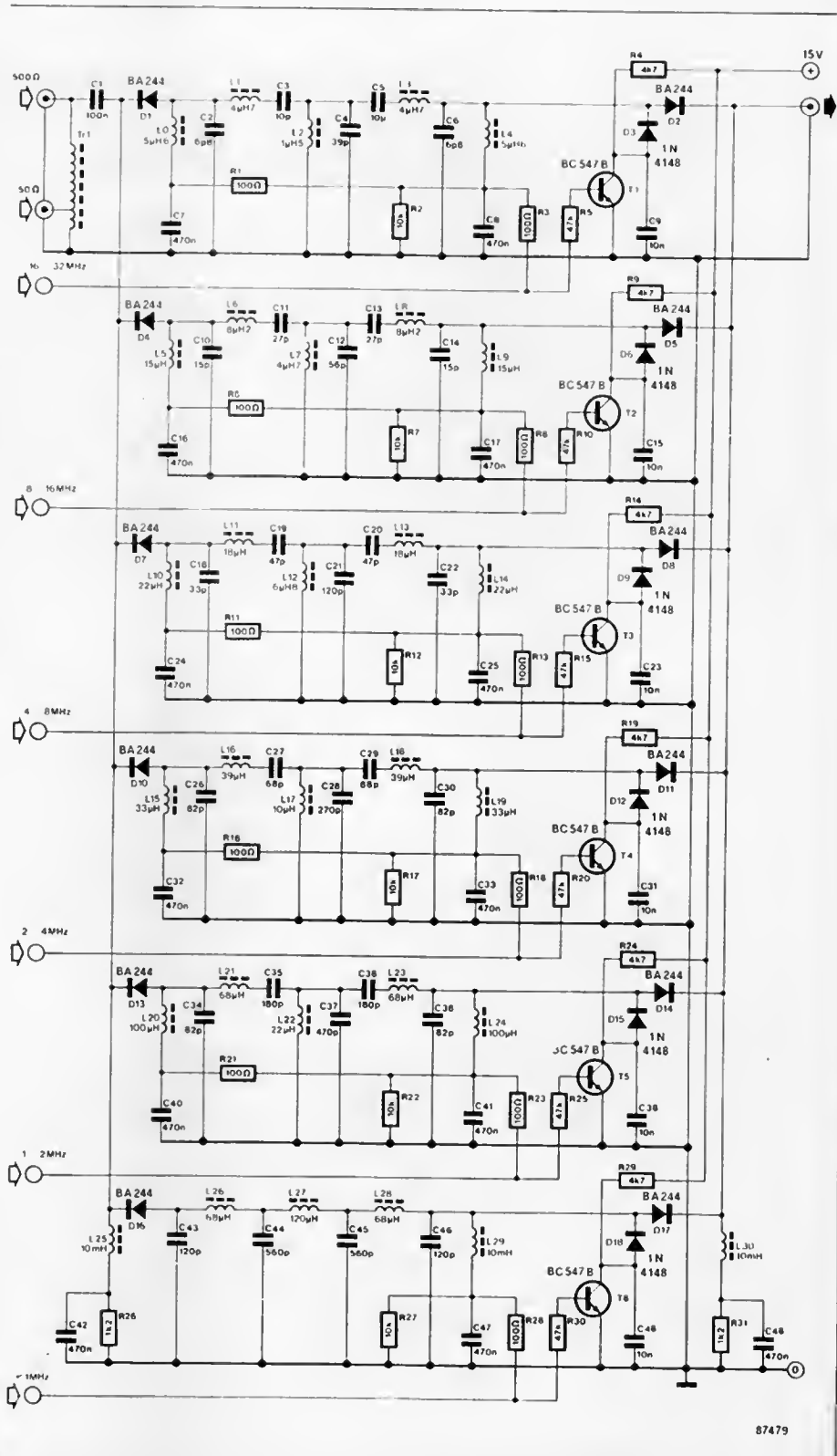


SWITCHABLE BANDSELECTOR

In many older types of SW receiver, intermodulation in the mixer was generally avoided by including a tuneable, often automatically tracking, pre-selector. In a computercontrolled preselector, the use of varactor diodes for tuning the inductors often leads to considerable intermodulation distortion. A different approach is therefore used in this design.

The circuit diagram shows the use of PIN diodes Type BA244 for selecting one of 5 band-filters followed by a low-pass section. Selection of a filter is effected by having the computer drive the associated input high. An impedance transformer is provided at the input to enable connection of 50 Ω as well as 500 Ω aeri- als. For most purposes, the 500 Ω input is preferable, since it allows short aeri- als to be correctly terminated. Input transformer Tr1 is wound on a ferrite core Type FT37-75 from Micrometals. The total number of turns is 19, with a tap at 2½ turns from the ground connection. The input should be provided with an overvoltage protection if the aerial is a large, outside mounted, array.

B



CENTRAL HEATING CONTROL

This circuit is used for optimum regulation of the flow of hot water in a central heating system. It measures the water temperature, and arranges for a particular valve or pump in the system to be switched on to achieve a user-defined temperature distribution in the home. Residual heat in the central heating system can thus be used to lower the cost of fuel. Fig. 1 shows that water in temperature range I can be used for the central heating and the storage vessel, while that in range II is also suitable for directing to the boiler. In most cases, it is not recommended to re-use water with a temperature below 30 °C. The circuit arranges for an alarm to be activated when the water temperature falls below 5 °C, or exceeds 95 °C.

The circuit diagram of the central heating control appears in Fig. 2. Relays Re₁ and Re₅ are activated upon measuring the maximum and minimum permissible temperature, respectively. The temperature sensor is a Type LM35, which has a scale factor of +10 mV/°C. Its output voltage is amplified in A₁ and fed to the non-inverting inputs of comparators A₂-A₆. The presets at the inverting input of each of these is used to set the toggle voltage, i.e., the temperature at which the relevant relay

is switched on or off. The relay drivers are open-collector power buffers with built-in freewheeling diodes to afford protection against inductive surges. The use of the Type ULN2003 makes it possible to use relays with a coil voltage of upto 50 V without the need for additional interfacing.

Each temperature setting has a hysteresis of about 2 °C. Transistors T₁-T₃ serve to disable the previously energized pump or valve upon detecting a water temperature that falls within another, predefined, range. In

this manner, only one relay is activated at a time.

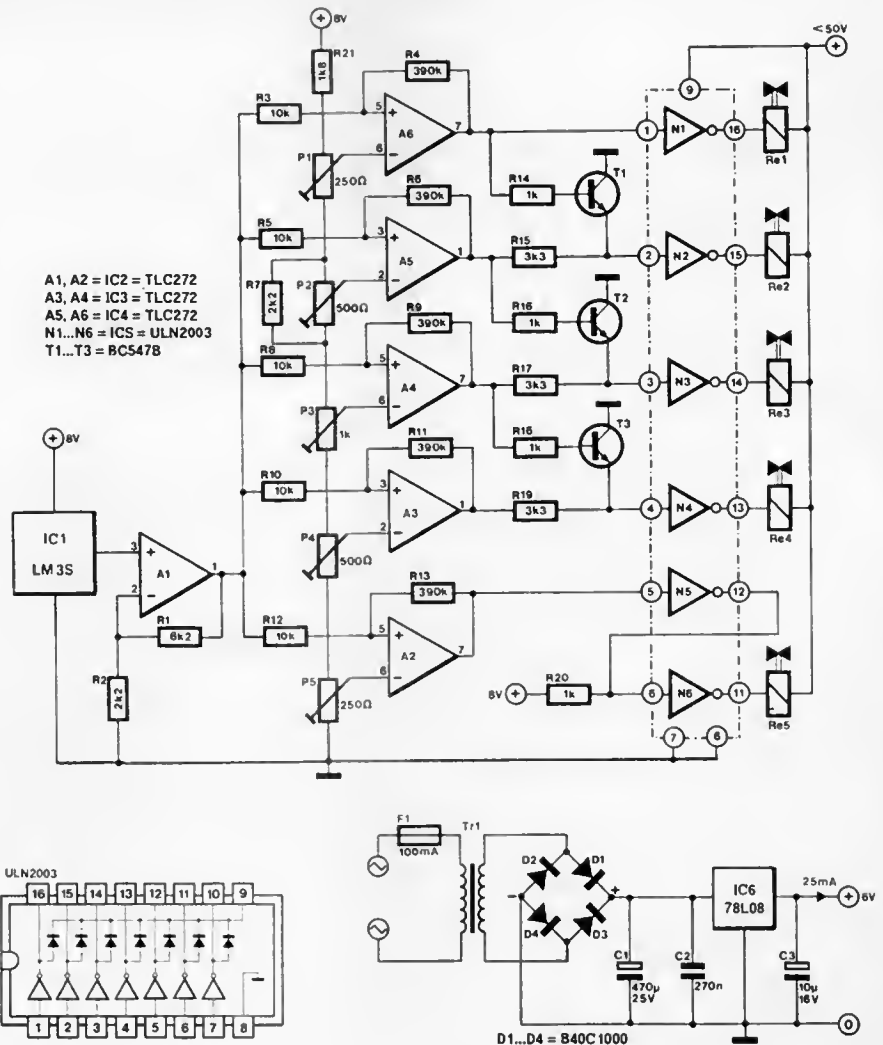
It stands to reason that the temperature sensor, IC₁, must be mounted such that it is in thermal contact with the water in the heating system. Make sure that the device is well-insulated, and that it does not cause leakage.

The temperature range settings for the presets are shown opposite.

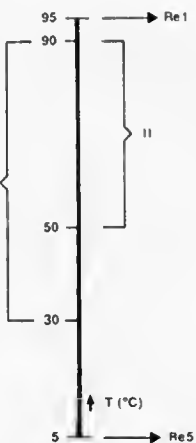
Relay	Preset	Temperature range
1	P ₁	93-103 °C (upper limit alarm)
2	P ₂	77-93 °C
3	P ₃	33-77 °C
4	P ₄	11-33 °C
5	P ₅	5-11 °C (lower limit alarm)
(hysteresis on all toggle points: 2 °C).		

Sr

2



1



87412-1

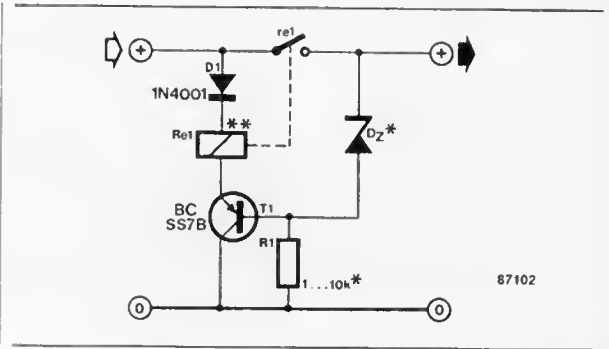
87412-2

by R Kambach

Any diode-based circuit that protects against reversal of the supply polarity introduces a certain voltage drop. Also, when relatively high currents are involved, the choice of a suitable diode, and its dissipation, may become problematic.

This circuit utilizes a relay contact to break the positive supply line when the input voltage has

the wrong polarity. The coil voltage of the relay may be lower than the input voltage, because Re is activated within a few milliseconds, and then receives the correct coil voltage via T₁-D₁. Since the hold voltage of a relay is generally lower than the actuation voltage, D₂ can be dimensioned such that the relay operates reliably with a minimum of zener current taken from the supply. *D*



The introduction of new, faster, CMOS techniques has given rise to a considerable increase in the number of available logic families. Understandably, this may cause confusion on part designers and users of logic circuits. Up until a few years, 3 families were commonly known: the CMOS 4xxx series; the TTL 74xx series; and the 74LSxx low-power Schottky series. TTL and LS chips are mutually interchangeable, but TTL consumes considerably more current at the same switching speed. The 4xxx series is about 10 times slower than the TTL family, but is more economic as regards current consumption. In many cases, TTL chips are no longer considered suitable for new design.

The new HC and HCT CMOS families are just as fast as TTL and LSTTL, and have a greatly reduced current consumption. HCT chips can work in LS based circuits, provided they are not driven from TTL or LS. This is because of the differently defined switching levels. It is, however, possible to use HCT for driving HC. With this in mind, it is possible to replace the LS family by the HC family. This is preferable since the HC family offers the highest noise immunity.

Figure 1 shows the current consumption of a HCMOS gate as a

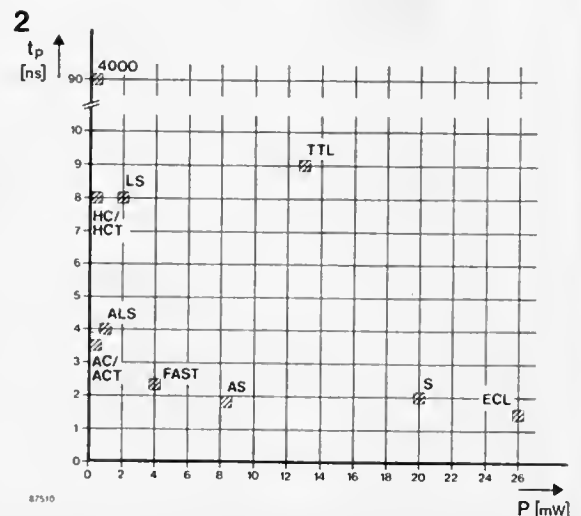
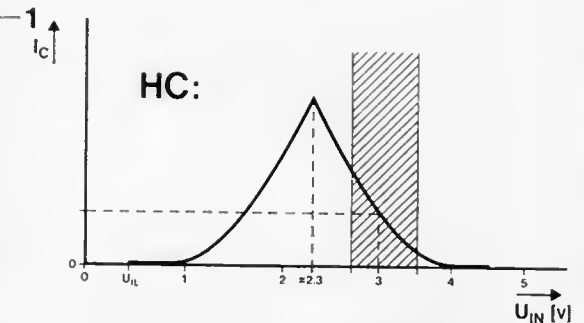
function of the input voltage. The shaded area represents the (logic high) output voltage of an LS chip. From this, two conclusions can be drawn. Firstly, the noise margin is very narrow: the HC gate sees 2.7 V as a logic high level already. Secondly, the current consumption of the gate is a few mA higher than necessary. Although usable in practice, driving HC with LS is, therefore, not recommended. Another new logic family was recently introduced: FACT (Fairchild Advanced CMOS Technology), also referred to as ACL (Advanced CMOS Logic) by other chip manufacturers. There are 2 versions: AC and ACT. ACT, like HCT, is fully LS compatible, while AC gives the same drive problems as HC. Both series are typically 2 to 3 times as fast as LS or HC.

Figure 2 shows the correlation between the propagation delay, t_p , and the power consumption, P, of various logic families. It will be noted that the modern CMOS families are almost as fast as the ECL series, hitherto renowned for its unbeatable speed. It is expected, therefore, that a CMOS equivalent will soon be available for ECL, and that ECL will gradually become obsolete.

Replacing bipolar chips in existing circuits with CMOS types is not very useful if relatively high frequencies are

involved. Finally, a rule of thumb for working with chips of different families in a single circuit: HCT can replace LS, unless driven by LS. *W*

For further reading:
RCA CMOS Databook
Fairchild FACT Logic Data Book



FRONT-END FOR FM RECEIVER

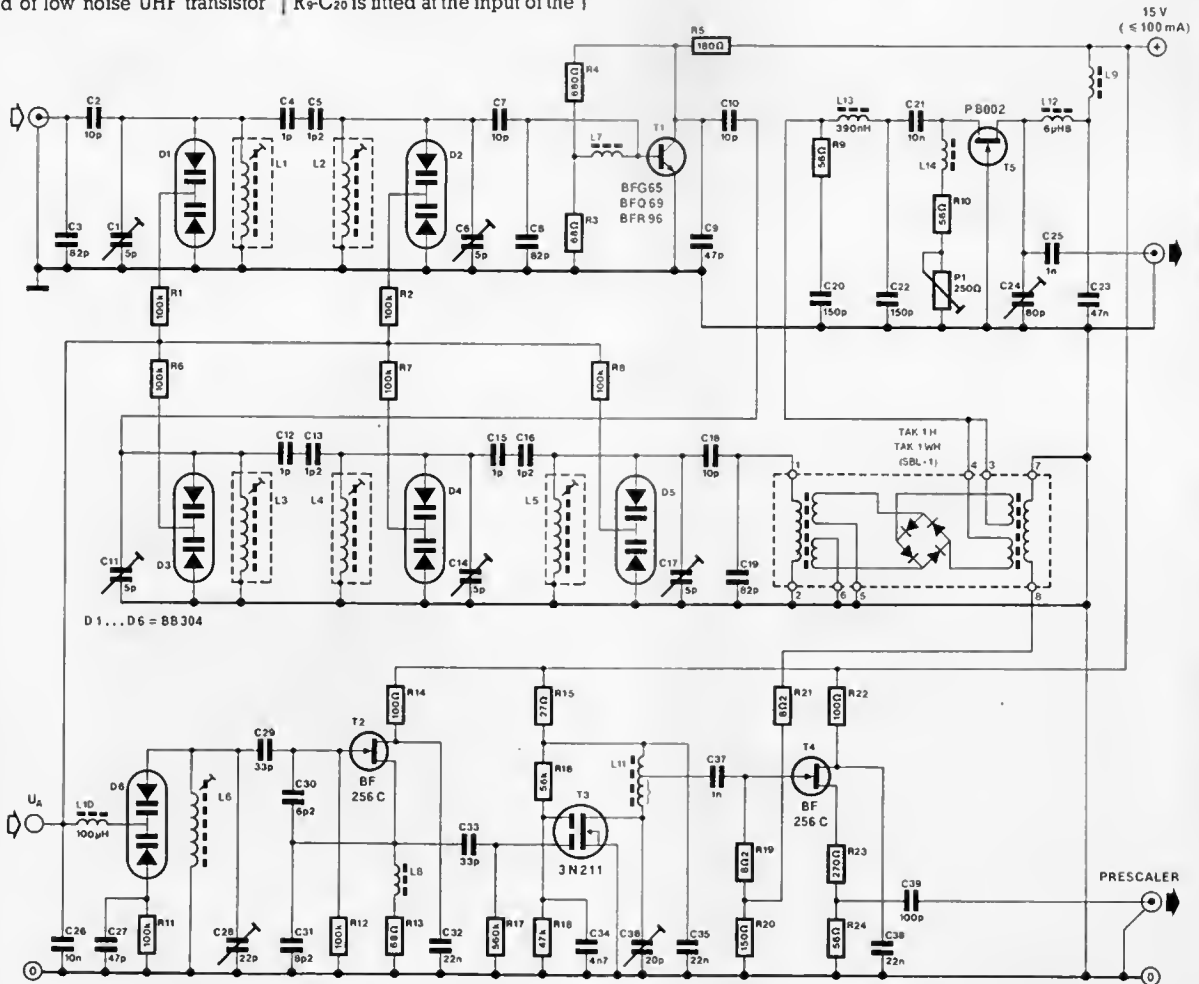
Among the most important technical characteristics of a VHF preamplifier are the noise figure, and the large signal handling capability. Although these are in principle conflicting requirements, a compromise can be found in the use of high-quality RF components. The receiver's ability to withstand high input levels can be enhanced by providing sufficient selectivity ahead of the active element(s). This is especially important for the mixer, since it generates most intermodulation products. In this FM tunerhead, the aerial signal is first passed through a slightly overcritically coupled band filter, amplified with the aid of low noise UHF transistor

T₁, and again filtered. The overall gain between the aerial input and the mixer input is about 12 dB at 87 MHz, and 17 dB at 108 MHz. The difference is caused by the adopted method of filter coupling. A wideband Schottky DBM (double balanced mixer) is used for the mixer in this design. The Type SBL-1 (LO = +7 dBm) is probably the best available of the 3 DBMs stated. Tuneable local oscillator T₂ produces very little phase noise, and DG MOSFET T₃ provides a LO power of 50 to 100 mW at a drain current of about 25 mA. FET T₄ enables driving a prescaler or a synthesizer with the LO signal. Series network R₅-C₂₀ is fitted at the input of the

IF amplifier because any passive DBM should be correctly terminated on at least two of its ports. To compensate for the 6 dB conversion loss in the DBM, and to ensure some spare IF gain, medium power RF J-FET T₃ is dimensioned to provide a gain of about 12 dB at a drain current of 25 mA. The proposed front-end gives fairly good results: its third-order intercept point is better than 0 dB when a mixer is used with IP = +20 dBm, while the noise figure is about 4 dB. This sort of performance should enable the reception of quite weak transmissions even with a powerful transmitter within a

few miles from the receiver. Finally, due account should be taken of the fact that the IF output easily delivers 10 mW, which may well give problems if the IF amplifier is not properly dimensioned. Inductor data for this project: L₁...L₅ incl. = E526HNA10014 (Toko). L₆ = E526HNA10013 (Toko). L₇...L₉; L₁₄ = 6 turns 36SWG (∅ 0.2 mm) enamelled copper wire through a ferrite bead. L₁₁ = 9 turns 24SWG (∅ 0.6 mm) enamelled copper wire on a T25-12 ferrite core; tap at 3 turns from C₃₅-R₁₅-R₁₆.

B

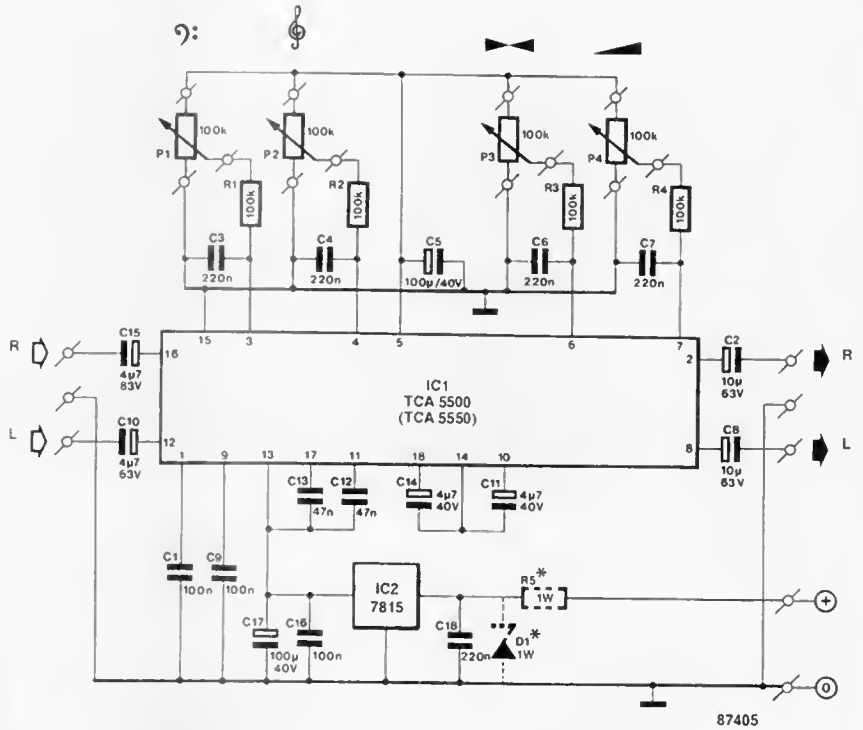


STEREO PREAMPLIFIER WITH TONE CONTROL

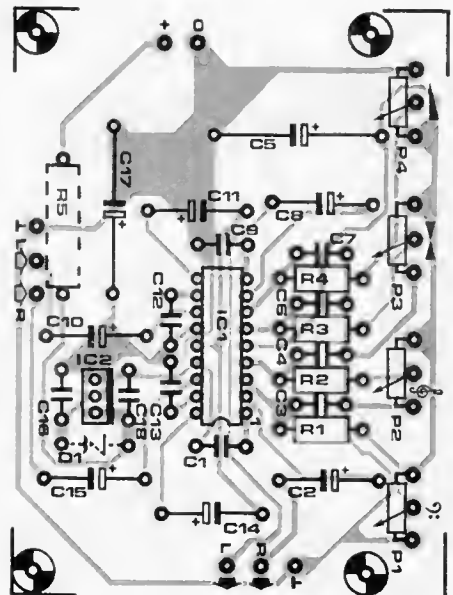
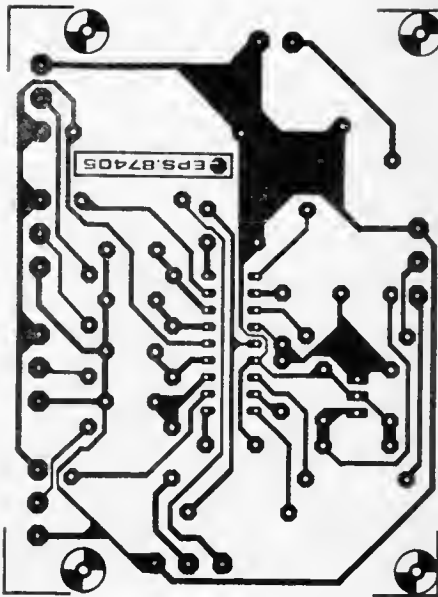
This simple, one-chip, stereo preamplifier is ideal for building into an existing AF power amplifier. It is based on a recently introduced integrated circuit, the Type TCA5500 or TCA5550 from Motorola. This double AF amplifier chip with inputs for balance, volume, and bass and treble controls forms a sound basis for a good quality preamplifier with a minimum of components. The onset points for the bass and treble controls are defined with C₃ and C₄ respectively. All (mono) potentiometers are best fitted direct onto the circuit board to make for simple mounting into a cabinet, and also to prevent hum and noise being picked up in the wiring that would otherwise be required.

The preamplifier has a current consumption of 35 mA, of which 5 mA is drawn by voltage regulator IC₂. Zener diode D₁ and power resistor R₅ should be added if the positive supply voltage available in the power amplifier is more than about 30 V.

Fe



* see text



Parts list

Resistors ($\pm 5\%$):

R₁...R₄ incl. = 100K

R₅ = see text

P₁...P₄ incl. = 100K linear potentiometer

Capacitors:

C₁; C₉; C₁₆ = 100n

C₂; C₈ = 10 μ ; 63 V; radial

C₃; C₄; C₆; C₇; C₁₈ = 220n

C₅; C₁₇ = 100 μ ; 40 V; radial

C₁₀; C₁₅ = 4 μ 7; 63 V; radial

C₁₁; C₁₄ = 4 μ 7; 40 V; radial

C₁₂; C₁₃ = 47n

Semiconductors:

D₁ = zenerdiode 27 V; 1 W
(see text)

IC₁ = TCA5500 or TCA5550
(Motorola)

IC₂ = 7815

Miscellaneous:

PCB Type 87405 (available through the Readers Services).



Specifications of the preamplifier:

Distortion: $\leq 0.1\%$ at nominal output level.

Channel separation: ≥ 45 dB.

Supply voltage: 8.8-18 V.

Tone control range: 14 dB.

Volume control range: ≥ 75 dB.

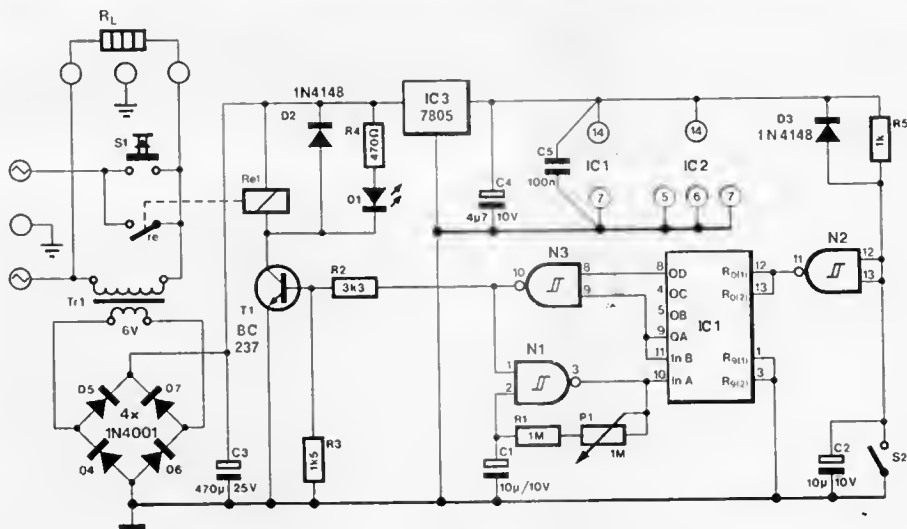
Maximum input voltage: 100 mV.

Amplification: 10.

Low output impedance.

77

TIMER FOR SOLDERING IRON



IC1 = 74LS290, 74HC290
N1...N3 = 3/4 IC2 = 4093

87491

By K Feigl

It often happens that the soldering iron is left switched on, but unattended and out of its stand. Evidently, this is a waste of energy, and an unnecessary fire hazard at the same time. This circuit arranges for the soldering iron to be switched off automatically

when it is out of its holder for more than about 20 seconds. The output frequency of clock oscillator N₁ is adjustable with P₁. Decimal counter IC₁ divides the clock by 10. When both Q_A and Q_D are high, i.e., when counter state 9 is reached, N₃ turns off T₁. Hence both the soldering iron and the timer are switched off because Rel is de-

activated. Pressing key S₁ causes the circuit to become operative again. Capacitor C₂ is not yet charged, so that IC₁ is reset by N₂. Gate N₃ is therefore driven with two logic low levels, so that T₁ energizes Rel. The mains voltage is now applied to the soldering iron (= load R_L) and Tr₁ via contact re.

Switch S₂ should be closed when the soldering iron is in its holder or stand. This causes the counter to remain reset, and hence the relay to remain energized, until S₂ is opened. The above timing sequence is then started, and can be interrupted only by placing the iron in the stand within 20 seconds. W

SIMPLE SWEEP GENERATOR

The sweep generator is an indispensable piece of measuring equipment for testing the frequency response of AF amplifiers, filters, and loud-speaker systems. At the heart of this design is the well-known Type XR2206 function generator chip from EXAR. It is seen to the right on the circuit diagram, in a standard application with 3 capacitors and a rotary switch for selecting the frequency range, and a potentiometer, P₅, for adjusting the amplitude of the output signal. The signal frequency is a function of the current drawn from pin 7 on the XR2206:

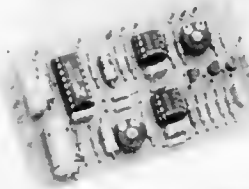
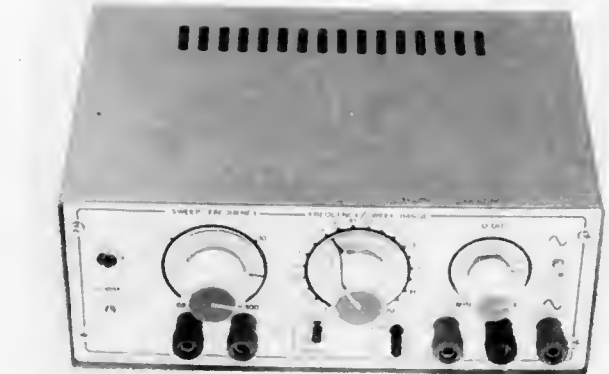
$$f_0 = 320I/C \text{ [Hz]}$$

where I is in milli-amperes, and C is in micro-farads. It should be noted that pin 7 is internally kept at 3 V, which is available at pin 10 also.

The left-hand part of the circuit comprises the sawtooth generator, IC₁, and a buffer, IC₂. The former is set up as an integrator, whose sweep period depends on the voltage at terminal C. Potentiometer P₂ enables setting the sweep period between 0.01 and 10 seconds; the maxi-

imum duration is adjusted with P₄. The sawtooth voltage at pin 6 of IC₁ has an amplitude of 5 V_{pp}, and can be used to drive the horizontal deflection (X) input of an oscilloscope via terminal K. The amplitude of the sawtooth voltage is determined by the zener voltage of D₁ and the base-emitter voltage of T₂, which is briefly turned off when the output of IC₁ exceeds 5 V. The collector of this transistor is then pulled to ground via R₃, so that T₁ is switched into conduction. The integrator is reset by making the - input of IC₂ positive with respect to the + input with the aid of T₃, R₅ and R₆. Capacitor C₁ serves to lengthen the on-time for T₁ and T₃ to ensure that the flyback of the sawtooth is finished.

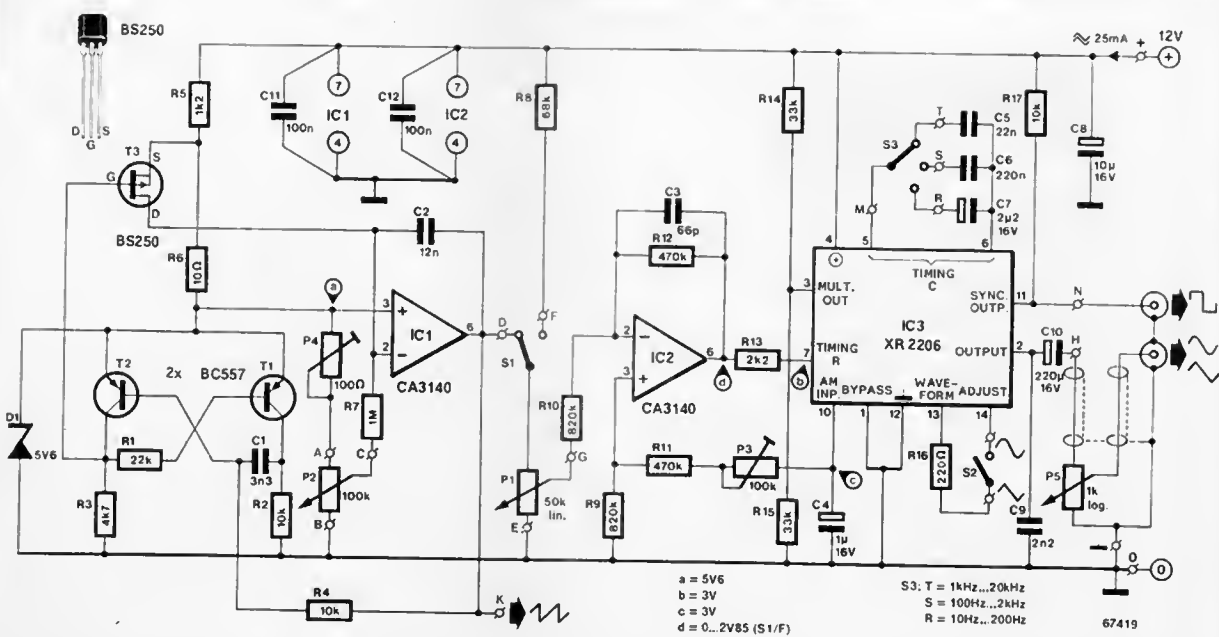
Potentiometer P₁ is a voltage divider to define the sawtooth amplitude, and hence the sweep range, while S₁ makes it possible to turn off the sweep function (position F). Opamp IC₂ is configured as a buffer stage for inverting and attenuating the sawtooth voltage, to which a direct voltage is added also. The output of IC₂ carries a sawtooth voltage with an amplitude between 0 and

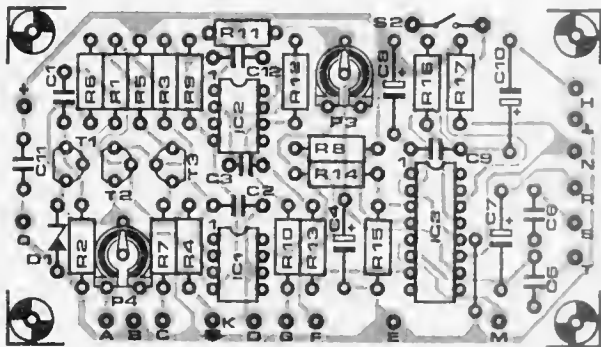
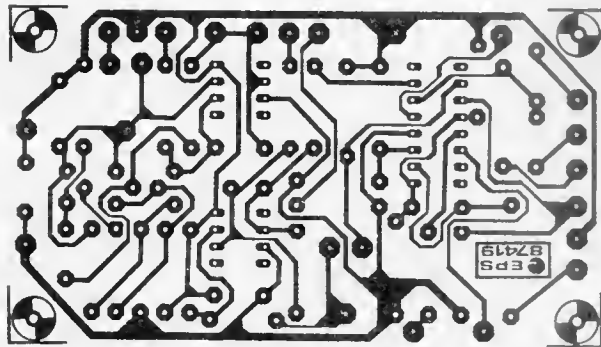
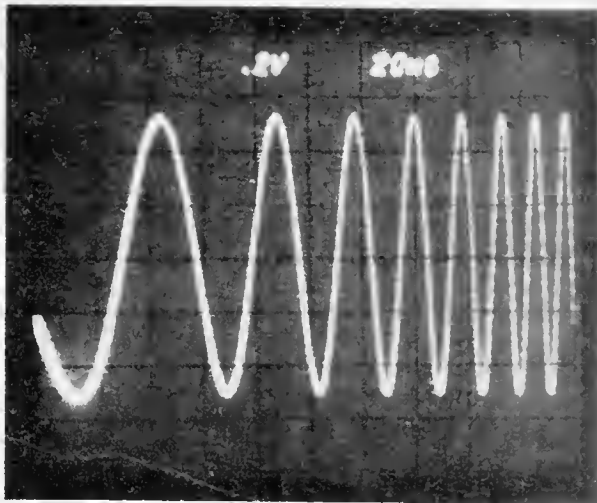


2.85 V, or a direct voltage between the same limits when S₁ is set to position F. Bearing in mind that the reference voltage of IC₂ is 3 V, the current through R₁₃, and hence the output frequency, can be varied by a factor 20, which is the maximum attainable deviation factor in all

3 frequency ranges. The frequency scale can be calibrated with the aid of P₃.

TW





Parts list

Resistors ($\pm 5\%$):

- R₁ = 22K
- R₂; R₄; R₁₇ = 10K
- R₃ = 4K7
- R₅ = 1K2
- R₆ = 10R
- R₇ = 1M0
- R₈ = 68K
- R₉; R₁₀ = 820K
- R₁₁; R₁₂ = 470K
- R₁₃ = 2K2
- R₁₄; R₁₅ = 33K
- R₁₆ = 220R
- P₁ = 50K linear potentiometer
- P₂ = 100K linear potentiometer
- P₃ = 100K preset
- P₄ = 100R preset
- P₅ = 1K0 logarithmic potentiometer

Capacitors:

- C₁ = 3n3
- C₂ = 12n
- C₃ = 68p
- C₄ = 1 μ ; 16 V; radial
- C₅ = 22n
- C₆ = 220n
- C₇ = 2 μ 2; 16 V; radial
- C₈ = 10 μ ; 16 V; radial
- C₉ = 2n2
- C₁₀ = 220 μ ; 16 V; radial
- C₁₁; C₁₂ = 100n

Semiconductors:

- D₁ = zenerdiode 5V6; 400 mW
- T₁; T₂ = BC557
- T₃ = BS250*
- IC₁; IC₂ = CA3140
- IC₃ = XR2206* +

Miscellaneous:

- S₁ = miniature SPDT switch.
- S₂ = miniature SPST switch.
- S₃ = 1 pole, 3-way rotary switch.
- PCB Type EPS87419 (available through the Readers Services).

+ Available from Universal Semiconductor Devices Limited, Cricklewood Electronics Limited, or ElectroValue (28 St Judes Road, Englefield Green, Egham, Surrey TW20 0HB. Telephone: (0784) 33603; telex 264475).

* Available from Cricklewood Electronics Limited.

This high quality phono pre-amplifier is based on the Type HA12017 integrated circuit from Hitachi. The principal technical data of this chip are summarized in Table 1. The circuit diagram, Fig. 1, shows that output off-set correction is provided by integrator IC2. The output signal of IC1 is first passed through low-pass filter R7-C9, then integrated in IC2-C8. The error signal is fed to the inverting input of amplifier IC1 via 47 kΩ resistor R6. The amplitude of this signal is

always such that the off-set voltage at the output of IC1 is virtually nought. The off-set correction used here enables the preamplifier to drive a power amplifier direct.

The correct capacitive termination of the pick-up cartridge can be selected with the aid of S1. The input impedance is 50 kΩ, but can be altered by redimensioning R2-R3. The output impedance of the preamplifier is 510 Ω, i.e., low enough for driving a relatively long cable. The RIAA equalization filter in

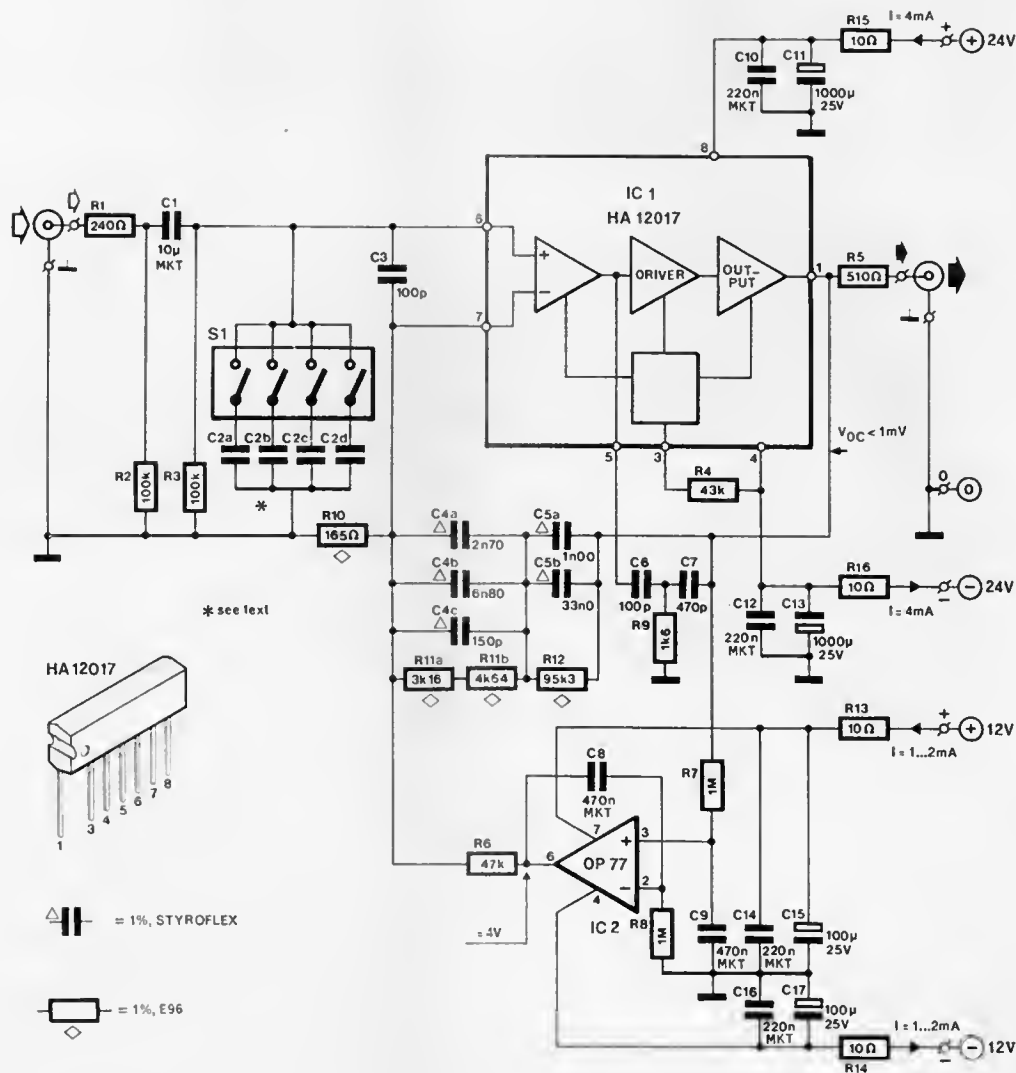
Table 1. HA12017 Low noise preamplifier

Features:

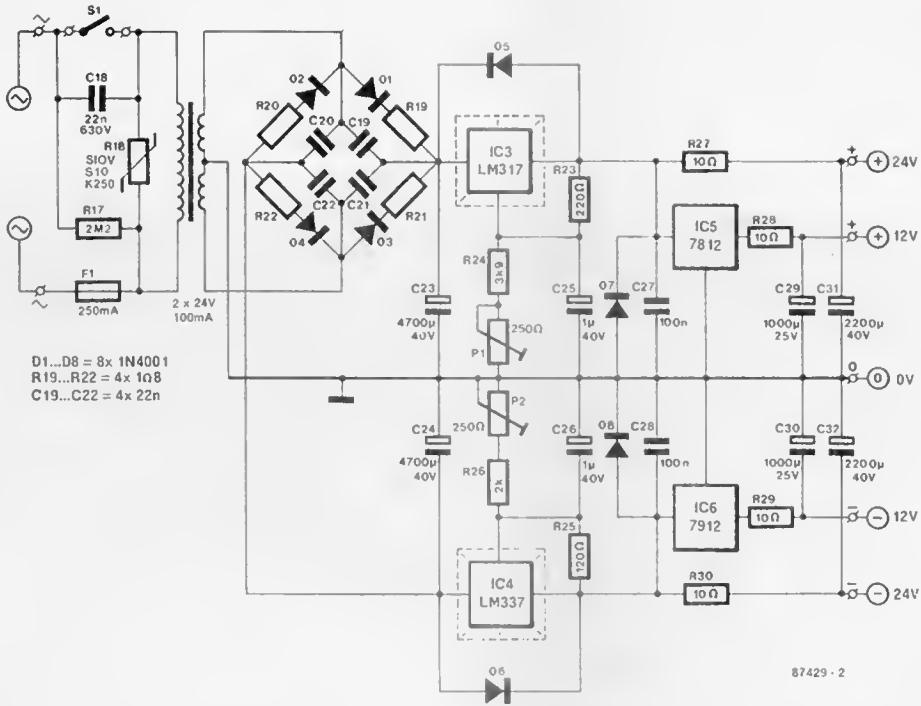
- Low noise: $V_{n(m)} = 0.185 \mu\text{V}$ typ. (measured in IHF-A network, $R_g = 43 \text{ k}\Omega$, IEC RIAA). $V_n = -95 \text{ dB}$ relative to $V_o = 1 \text{ V}_{\text{rms}}$.
- Wide dynamic range: $V_i = 235 \text{ mV}_{\text{rms}}$ max. ($V_{CC} = \pm 24 \text{ V}$, $f = 1 \text{ kHz}$, $\text{THD} = 0.1\%$, $A_v \approx 100 \pm 40 \text{ dB}$).
- Low distortion: $\text{THD} = 0.002\%$ typ. ($f = 20\text{--}20\,000 \text{ Hz}$, $V_o = 10 \text{ V}_{\text{rms}}$, RIAA equalization).
- Supply ripple rejection: $\text{SVR}(+V_{CC}) = 56 \text{ dB}$; $\text{SVR}(-V_{CC}) = 45 \text{ dB}$ (typical values at $f = 100 \text{ Hz}$ and $R_g = 43 \text{ k}\Omega$).
- Maximum operating voltage: $\pm 26 \text{ V}$.
- Maximum power dissipation: 500 mW at $T_a = 75^\circ\text{C}$.

Note: $R_g = R_4$ in this design.

1



2



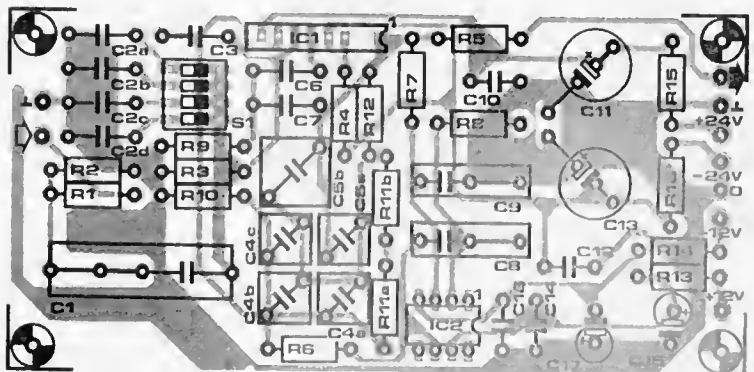
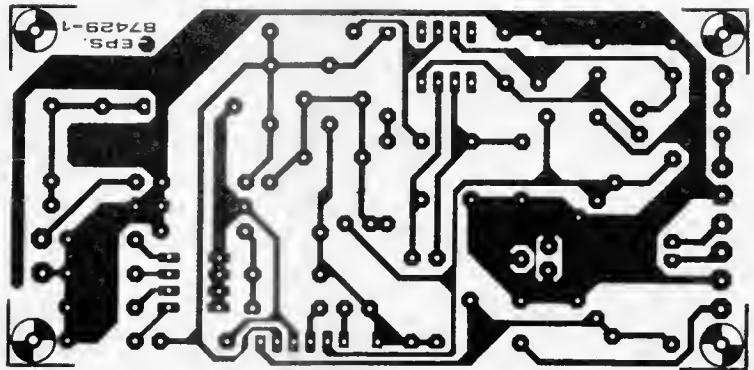
the negative feedback circuit of IC₁ is fairly complex, which was necessary to meet the required IEC specification (note the use of high stability capacitors and resistors).

The regulated power supply for the phono preamplifier is shown in Fig. 2. This is once again a relatively extensive circuit which, in combination with the low-pass filters on the ±24 V lines to IC₁ and IC₂, gives excellent suppression of RF signals, hum, rectification noise, and mains borne interference. Presets P₁ and P₂ serve to adjust the output voltage on the ±24 V rails.

The printed-circuit boards for the preamplifier and the power supply are shown in Figs. 3 and 4 respectively. The correct values for R₁₁, C₄ and C₅ are achieved by parallel and series connection. All four voltage regulators can be fitted onto a common heatsink if electrical insulation is provided. The accompanying photograph shows a suggested construction of the preamplifier.

It is strongly recommended to use good quality components for the volume adjustment and input source selection—consult the references given below. Sv

3



Parts list

Resistors (± 5%):

- R1 = 240R
- R7; R3 = 100K
- R4 = 43K
- R5 = 510R
- R6 = 47K
- R7; R8 = 1M0
- R9 = 1K6
- R10 = 165RF
- R11 = 3K 16F + 4K64F
- R12 = 95K3F
- R13... R16 incl.; R27... R30 incl. = 10R
- R17 = 2M2
- R18 = varistor SIOV S10K250 (Siemens)
- R19... R22 incl. = 1R8
- R23 = 220R
- R24 = 3K9
- R25 = 120R
- R26 = 2K0
- P1; P2 = 250R preset

Capacitors:

- C1 = 10µ; MKT
- C2 = dimension to suit capacitive termination of cartridge.
- C3 = 100p; polystyrene
- C4 = 2n7F // 6n8F // 150p0F; styroflex
- C5 = 1n0F // 33n0F; styroflex
- C6 = 100p styroflex
- C7 = 470p styroflex
- C8; C9 = 470n MKT
- C10; C12; C14; C16 = 220n MKT
- C11; C13; C29; C30 = 1000µ; 25 V; radial
- C15; C17 = 100µ; 25 V; radial
- C18 = 22n; 630 V
- C19... C22 incl. = 22n
- C23; C24 = 4700µ; 40 V; radial
- C25; C26 = 1µ; 40 V; radial
- C27; C28 = 100n
- C31; C32 = 2200µ; 40 V; radial

Semiconductors:

- D1... D8 incl. = 1N4001
- IC1 = HA 12017 (Hitachi) †
- IC2 = OP-77 (Precision Monolithics Inc.)
- IC3 = LM317
- IC4 = LM337
- IC5 = 7812
- IC6 = 7912

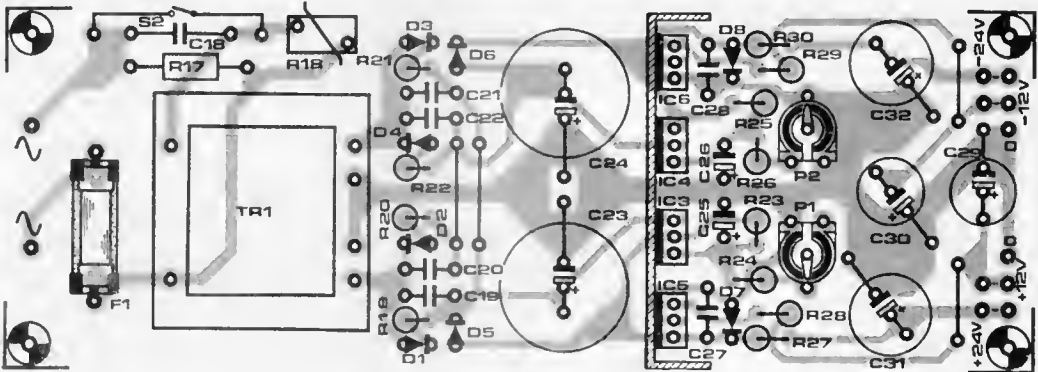
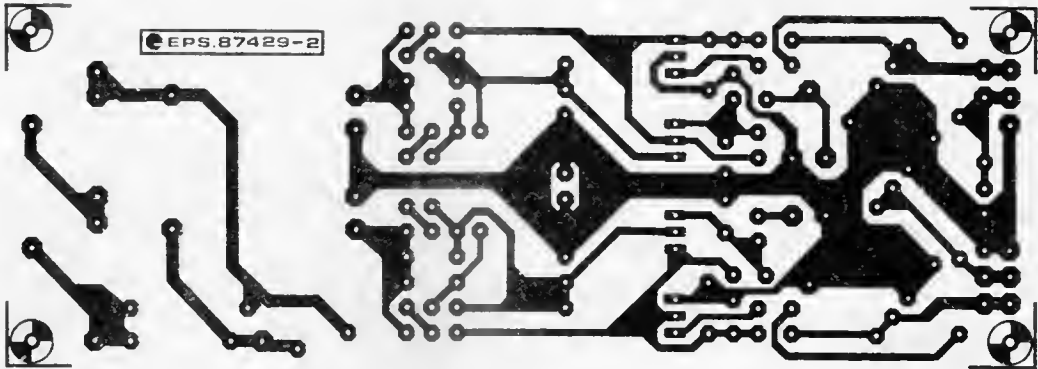
Miscellaneous:

- S1 = 4-way DIP switch block.
- S2 = SPST mains switch.
- F1 = 250 mA delayed action fuse with PCB mount holder.
- TR1 = 2x24 V; 100 mA mains transformer for PCB mounting.
- Heat sink for IC3... IC6 incl.
- Insulating washers for IC3... IC6 incl.
- PCB Type 87429 1 and 87429-2 (available through the Readers services).

Available from ElectroValue Ltd ■ 28 St Judes Road ■ Englefield Green ■ Egham ■ Surrey TW20 0HB. Telephone: (0784) 33603 ■ Telex: 264475.

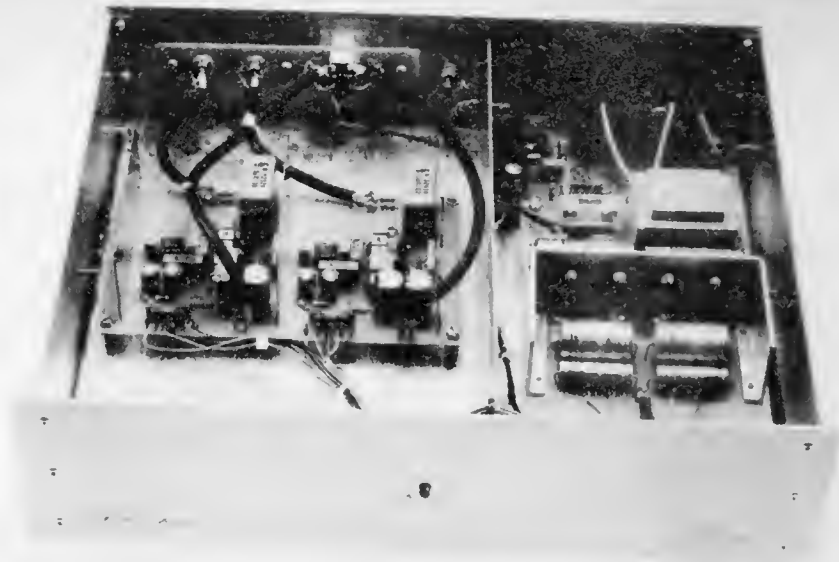
Available from Cirkuit PLC ■ Park Lane ■ Broxbourne ■ Hertfordshire EN10 7NQ. Telephone: (0992) 444111 ■ Telex: 22478. Stock number: 61-170-12017.

General note: many special AF components for this project are available from Audiokits Precision Components ■ 6 Mill Close ■ Borrowwash ■ Derby DE7 3GU. Telephone: (0332) 674929.



References:

1. *Top of the range preamplifier*, Elektor Electronics, January 1987.
2. *Valve preamplifier*, Elektor Electronics, March 1987.
3. *Electronic potentiometers*, Elektor Electronics, April 1987.

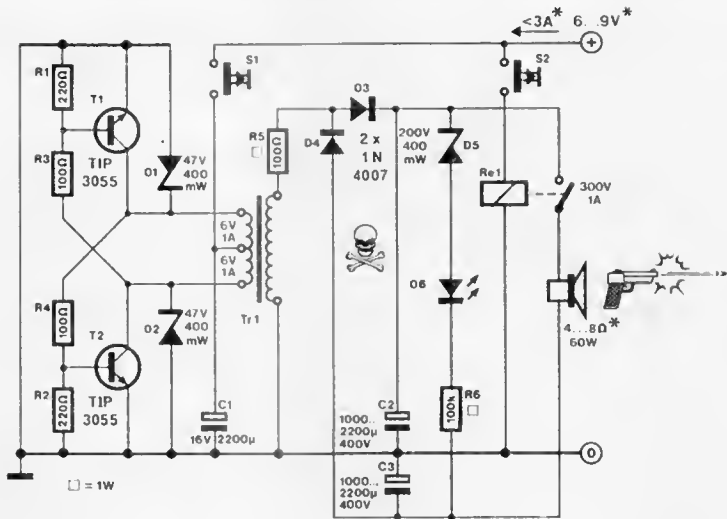


80

STARTING-PISTOL SIMULATOR

In this circuit, a discarded power loudspeaker serves to simulate the loud bang from a starting-pistol.

Power transistors T_1 - T_2 and mains transformer TR_1 form a power oscillator, which can be started by pressing S_1 . Zener diodes D_1 - D_2 protect T_1 - T_2 against inductive voltage surges. The operating frequency of the oscillator depends on the core material of TR_1 , and the current through its 240 V winding. While S_1 is kept actuated, the oscillation frequency is lowered from several kHz to about 50 Hz as the charge voltage across flash capacitors C_2 - C_3 rises. The charge current is limited by R_5 , while D_3 - D_4 form a voltage doubler, so that several hundred volts are available across the contact of Re_1 . LED D_6 lights to indicate that the flash capacitors are fully charged, and that S_1 may be released. When the fire button, S_2 , is pressed, Re_1 is energized, and a short pulse of 50-100 A_p is passed through the loudspeaker's voice coil. Make sure that this can handle the current surge, on penalty of once and for all destroying the cone suspension.



87518

The current consumption of the starting-pistol simulator is about 3 A immediately after pressing S_1 , and gradually falls to 0.5-0.8 A when the reservoir capacitors contain their nominal charge. The loudness of the bang can be increased by raising the supply voltage to a

maximum of 12 V, provided the loudspeaker can handle a peak power of more than 1,000 W. It is recommended to test the circuit at a supply voltage of 3 V. Finally, bear in mind that the generated high voltage is extremely dangerous, and requires due attention to be paid

to proper insulation of all components in the high voltage section. B

By R Shankar

This circuit outputs a logarithmic signal for driving the VCO input on the Elektor Electronics Function Generator⁽¹⁾, but can be used for other generators as well. Usually, the exponential function is derived from the (temperature-sensitive) B-E junction in a transistor, but this design uses a simple R-C network and an opamp to generate the logarithmic sweep.

With reference to the circuit diagram, U_s is applied to the generator's VCO input, while U_{sync} is used for triggering an oscilloscope on the positive signal edge. Contrary to the Elektor Electronics Sweep Generator in⁽²⁾, the timebase of the scope is used for the horizontal deflection, so that the horizontal (frequency) axis has a logarithmic scale. The sweep range is 1:100 ($U_{VCO}=0.1-10$ V). Opamp IC₂ is dimensioned for a gain of 2 (R_3/R_4) and generates an sweep voltage, U_s , with the aid of network $P_2/P_1-R_1-C_1/C_2$:

$$U_s = U_1 \exp(t/R_1 C_1) \text{ when } U_1 \leq U_s \leq U_2.$$

When U_s reaches level U_2 , the bistable in IC₃ is reset. Capacitor C_1 (or C_2) is then discharged via R_2 and the discharge input on the 555 (or 7555) until $U_s = U_1$, causing IC₃ to be set and the next sweep period to commence. The output of the monostable supplies the trigger signal for the oscilloscope.

To adjust the circuit, set the function generator to 100 Hz; external frequency. Connect the VCO input to the wiper of P_1 (do not forget the ground connection), and adjust this preset for an output frequency of 100 Hz. Next, connect the VCO input to the wiper of P_2 , and adjust this preset for an output frequency of 10 kHz. Proceed with connecting the oscilloscope, set to 10 ms/div., external trigger. The sweep voltage

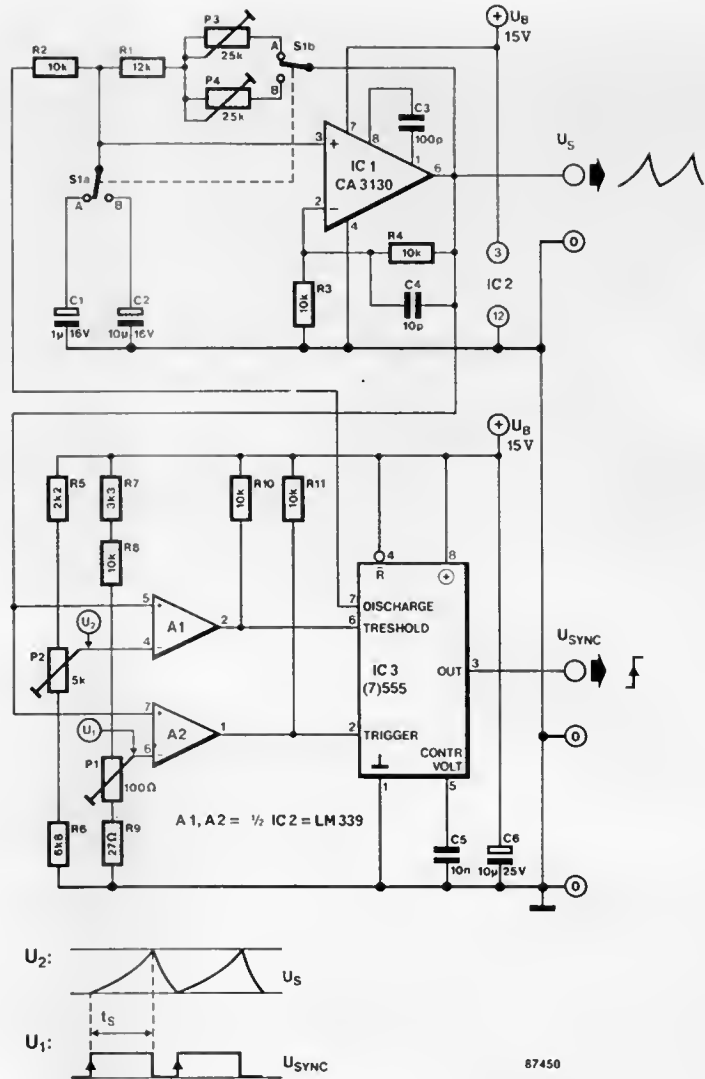
is applied to the Y input, and the vertical sensitivity is adjusted until the maximum excursion of U_s reaches the top of the display. Set S_1 to position A (sweep 0.1 s), and adjust P_3 until the peak of the exponential voltage is displayed in the top right-hand corner. This is repeated with S_1 set to position B (sweep 1 s), and the scope set

to 100 mV/div. (adjust P_4). This completes the adjustment procedure, and U_s can be connected to the VCO input. The current consumption of the circuit is less than 25 mA or 15 mA with a 555 or a 7555 fitted, respectively.

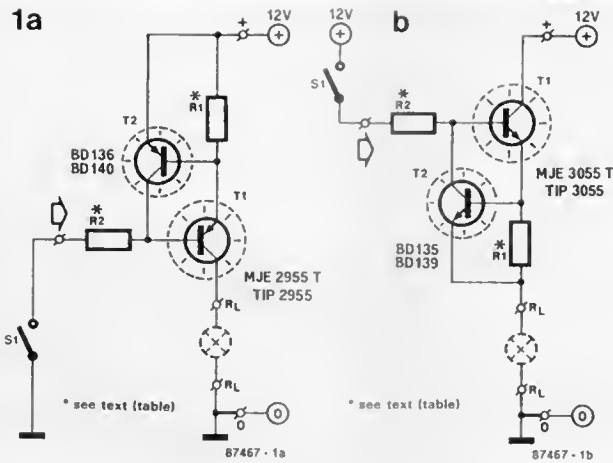
Th

References:

- (1) *Function generator*. Elektor Electronics, December 1984.
- (2) *Audio sweep generator*. Elektor Electronics, November 1985.



Motorists are generally well aware that car fuses do not blow just like that. None the less, when something appears to be amiss in the electrical circuit, a new fuse is nearly always fitted prior to investigating the possible cause for the malfunction, which then, of course, costs two fuses. The circuits shown here are short circuit proof power switches, or electronic fuses with switch control dimensioned for relatively heavy (lamp) loads in a car. Both circuits are composed of a power switch, T_1 , and a current limiter, T_2 . The circuit is fully short-circuit and overload resistant, provided T_1 is adequately cooled, and the whole unit is constructed in a sturdy enclosure. The circuit in Fig. 1a has the lower voltage drop of the two, while that in Fig. 1b is used when a TO-218 style Type MJE2955T or TIP2955 is not obtainable. It is interesting to note that the plastic TO-218 package is mechanically interchangeable with the well-known TO-3 outline, and enables ready mounting of the



Part list

Resistors ($\pm 5\%$):

$R_1; R_2 =$ see text

Semiconductors:

$T_1 =$ MJE2955T or TIP2955

(Fig. 1a)

$T_1 =$ MJE3055T or TIP3055

(Fig. 1b)

$T_2 =$ BD136 or BD140

(Fig. 1a).

$T_2 =$ BD135 or BD139

(Fig. 1b).

Miscellaneous:

$S_1 =$ see text

PCB Type 87467 (not available through the Readers Services).

transistor onto a flat surface using an insulating washer—see Fig. 2. The use of a die-cast enclosure and TO-3 style transistors is illustrated in Fig. 3. This unit houses two power switches, one of which has its contacts at the rear side. Pay great attention to the correct electrical insulation between the transistors and the enclosure, and, if required, that

between the enclosure and the car body. Switch S_1 is the existing control for the relevant lamp in or on the vehicle. Note the difference in respect of the connection of S_1 in Fig. 1a and 1b. Table 1 shows how R_1 and R_2 are dimensioned in accordance with the current requirement of

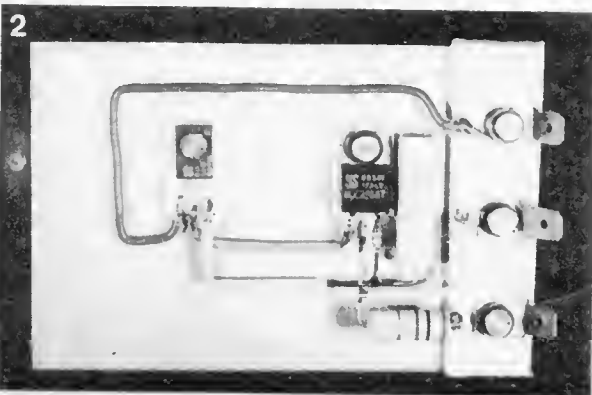
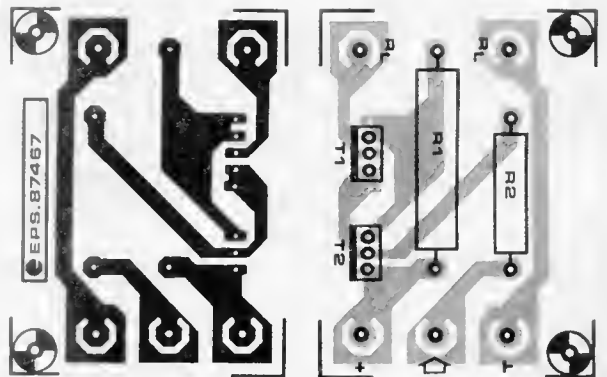
the load, and also gives a suggested area of the cooling surface.

Finally, when the printed circuit board is used, T_1 should be a TIP2955 or a MJE2955T, not a MJE2955, since this has its outer terminals (B-E) reversed.

F_e

Table 1

Application	R_L [W]	I [A]	R_1 [Ω]	R_2 [Ω]	Cooling $T_1; T_2$
Dashboard lighting	1	0.08	5.6	3300	not required
Courtesy light	2	0.17	2.7	1500	not required
Rear light or parking light	5	0.42	1.2	680	25 cm ²
Brake light	18	1.5	0.33 (5 W)	180 (1 W)	225 cm ²
Fog light or trafficator	21	1.75	0.27 (5 W)	150 (1 W)	225 cm ²



RAM EXTENSION FOR QUANTUM LEAP

The Sinclair Quantum Leap (QL) computer is eminently suitable for a low-cost introduction into working with Motorola's 68000 true 16-bit microprocessor. Many computer enthusiasts did not fail to note the spectacular price cuts for the QL when its production was discontinued. An excellent support program, TOOLKIT II, became available and is still considered indis-

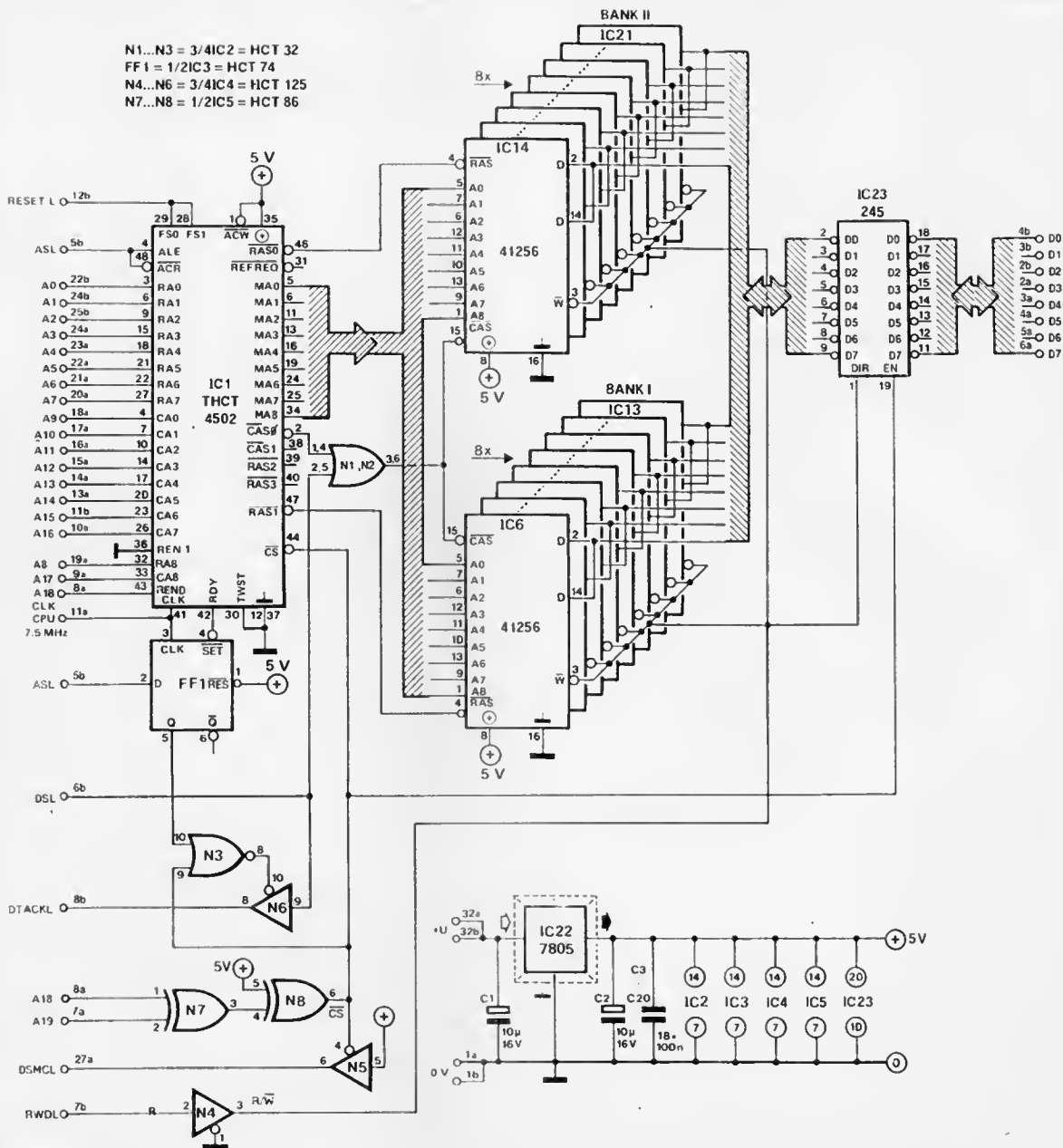
pensable by many for getting to grips with the QL. The present 512 Kbyte RAM extension should be very welcome for running a RAM disk, and/or programs such as ICE and QIMP.

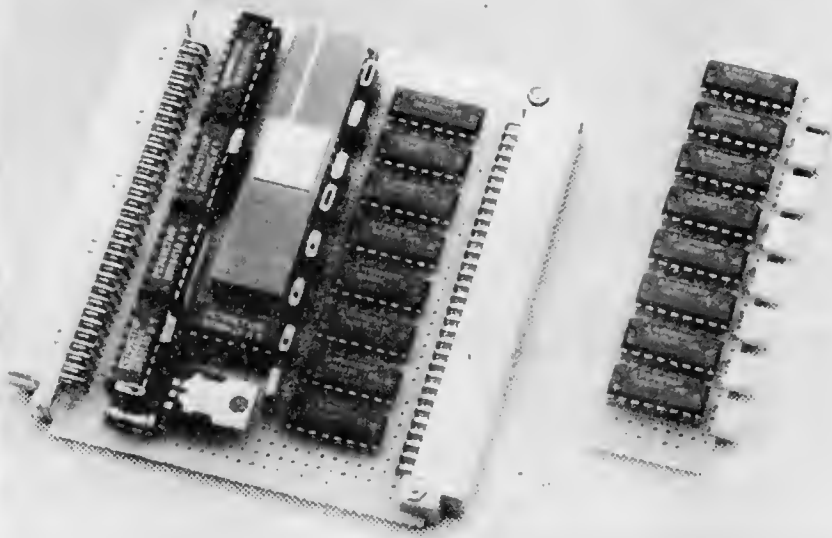
The circuit is based around the Type THCT4502 RAM controller from Texas Instruments. This dedicated controller takes care of all the DRAM controlling,

including the refresh timing, and the addressline multiplexing. The address decoder is made with a single XOR gate, N7. The DSMCL line is made high within 30 ns with the aid of three-state buffer Ns. Bistable FF1 delays the ASL signal somewhat, so that DTACKL is only activated when the RDY signal of IC1 is stable. The databus is buffered by bidirectional octal

transceiver IC23.

The extension memory is divided in two banks of 256 Kbyte. Note that CAS, unlike RAS, is common to both banks. It is possible on the QL to omit the second bank without altering the address decoding. This is thanks to QDOS, which searches for correctly operating, continuous, and unique, i.e., non-mirrored, memory. It is





interesting to note that machine code in the extension memory runs at almost double the normal speed.

The RAM chips used should have an access time of 150 ns or less. Current consumption of the extension is low at 50 mA or 150 mA in the non-active and active mode respectively. Non-used inputs on gates should be tied to ground.

Finally, note that the Type THCT4502 controller may not be available everywhere yet. W

Distributor for TI Semiconductors in the UK is DC Distribution
 • Freepost • Hitchin Road • Arlesly • Bedfordshire SG15 6BR. Telephone: (0462) 834444 or (0454) 273333.

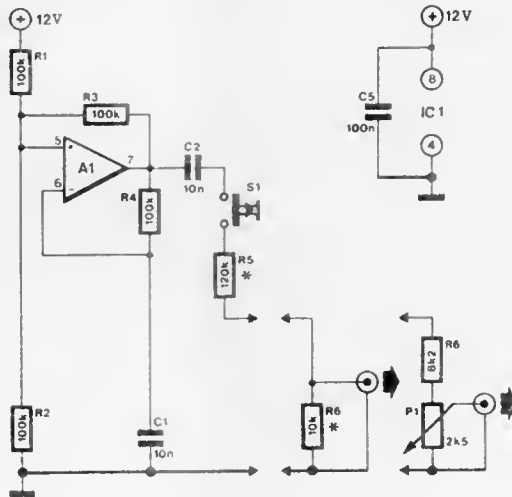
84

SYNCHRONIZED SLIDE CHANGER

Sound and vision can be synchronized fairly easily for making slide presentations: the left and right channel of a cassette or tape recorder are used for separate recording and playing back of the music and accompanying speech, and the slide change control signal. The circuit around A₁ is a square wave generator that produces the 1 kHz slide change signal for recording on one track of the tape. S₁ is pressed when the next slide is to appear. Voltage divider R₅-R₆ ensures that the recording amplifier is not over-driven. If necessary, R₆ can be replaced by a 8K2 resistor and a 2K5 potentiometer as shown to enable adjusting the output amplitude.

The circuit around A₂ is the playback amplifier for driving the slide change relay. The quiescent current of the slide changer is about 15 mA.

Some projectors have a slide feeder that can be moved in reverse with the aid of two short control pulses, or one long pulse. This is of course also possible with the present circuit.



A 1, A 2 = IC 1 = 3240
 Re 1 = 12 V, max. 80 mA

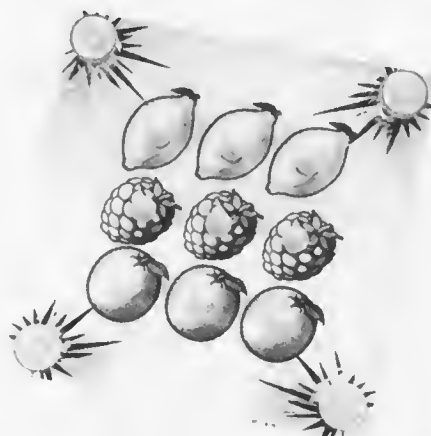
R

By F Pipitone

This is one of the very few "one-armed bandits" to which the maxim *the sole way to win is not to gamble* is not applicable. In other words, this circuit does not have a slot for inserting coins: every play is free.

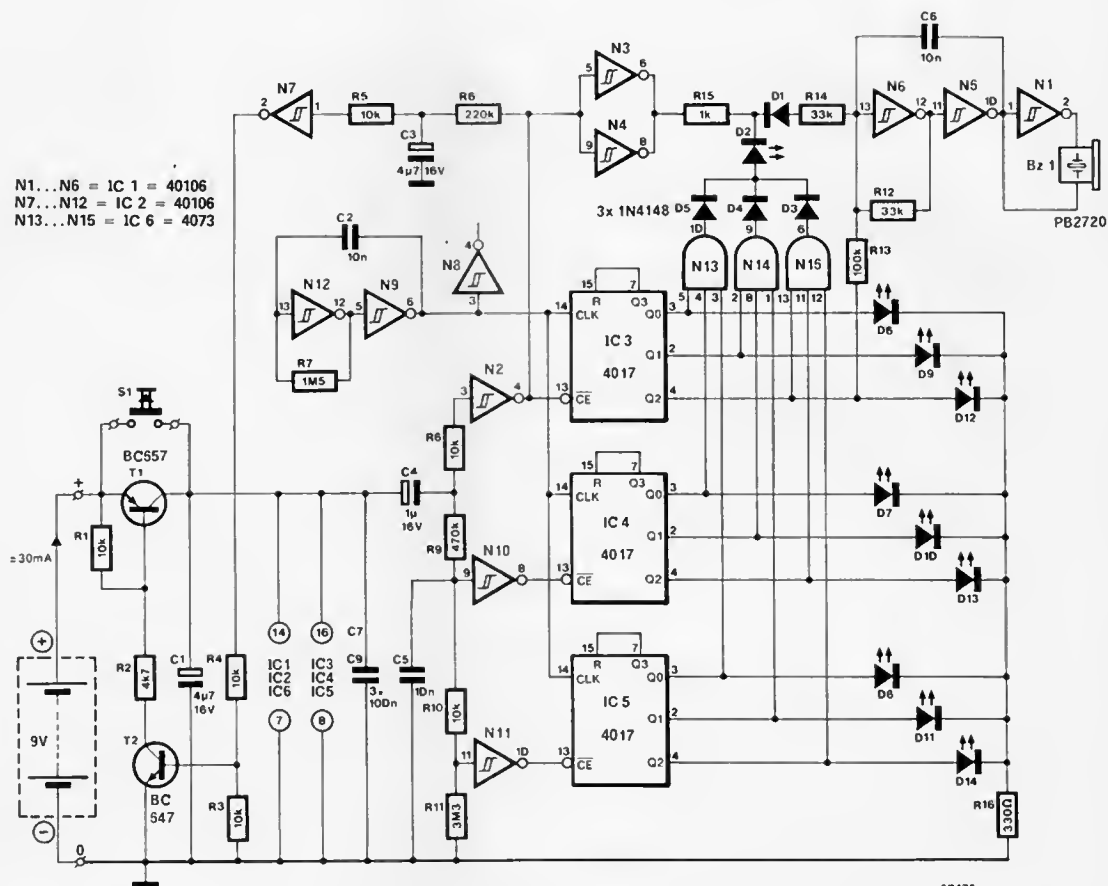
Actuation and release of the "PLAY" button, S₁, causes the circuit to become operative. Series regulator T₁ is driven into saturation by T₂, which is controlled by N₂-N₇. The outputs of N₂, N₁₁, and N₁₀ go high in succession, and disable counters IC₃, IC₄ and IC₅, which are all clocked by oscillator N₁₂-N₉, and reset by the pulse at their Q₃ output. The 3 LEDs driven by each of the counters are, therefore, illuminated cycli-

cally. When a counter is disabled by the high level at its CE input, one of the LEDs in the 3 groups remains illuminated. The output state of the counters is not predictable because of the inconstant delay between the disable instants. NAND gates N₁₃-N₁₅ detect the winning combinations, i.e., LED D₂ is illuminated, and B₂₁ is sounded, when 3 identical counter outputs are activated. Note that diodes D₃-D₅ form a 3-input OR gate, and that the buzzer also produces sound when the LEDs are flashing, since the pulses at output Q₂ of IC₃ enable the oscillator intermittently. The play is ended when the voltage across C₃ is high enough for gate N₇ to change



state. T₂ is turned off, and T₁ no longer powers the circuit. An on/off switch is not required for

the fruit machine, thanks to its very low current consumption in the de-activated state. R



Parts list

Resistors ($\pm 5\%$):

R1;R3;R4;R5;R8;R10 = 10K
R2 = 4K7
R6 = 220K
R7 = 1M5
R9 = 470K
R11 = 3M3
R12;R14 = 33K
R13 = 100K
R15 = 1K0
R16 = 330R

Capacitors:

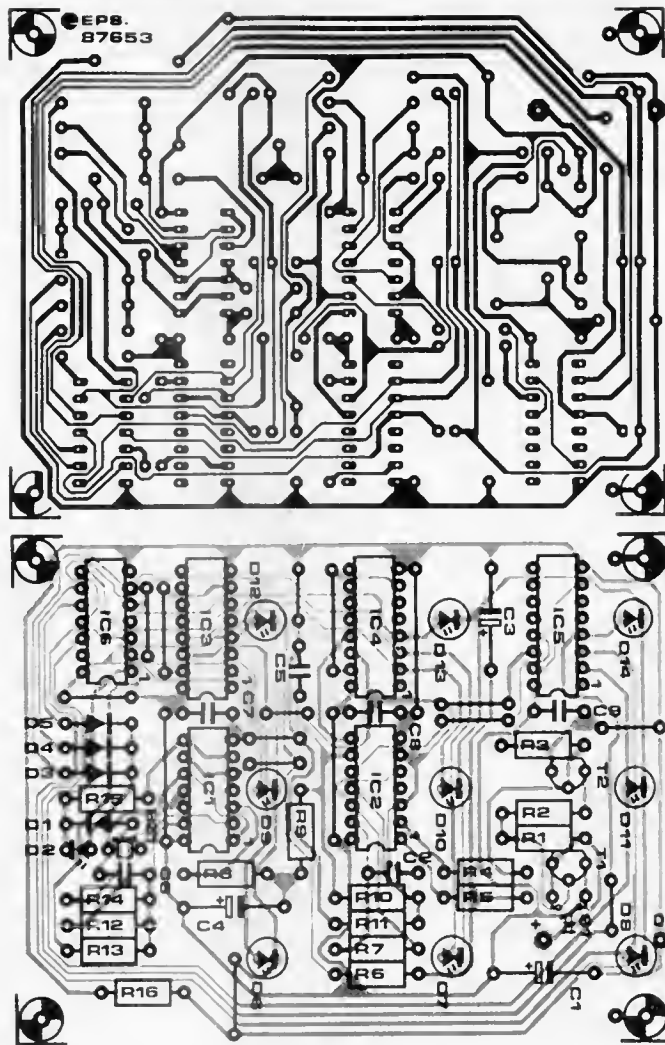
C1;C3 = $4\mu\text{T}$; 16 V; axial
C2;C5;C6 = 10n
C4 = $1\mu\text{T}$; 16 V; axial
C7;C8;C9 = 100n

Semiconductors:

D1;D3;D4;D5 = 1N4148
D2;D6;D7;D8 = LED (red)
D9;D10;D11 = LED (yellow)
D12;D13;D14 = LED (green)
IC1;IC2 = 40106
IC3;IC4;IC5 = 4017
IC6 = 4073
T1 = BC557
T2 = BC547

Miscellaneous:

S1 = momentary action push button.
Bz = PB2720 buzzer (Circuit stock no. 43-27201).
PCB Type 87476 (available through the Readers services).



86

WEATHER SATELLITE INTERFACE

An increasing number of electronics enthusiasts is becoming interested in weather satellite reception. Most non-geostationary weather satellites, like those in the NOAA series, operate in the 138 MHz carrier. For optimum reception, the detector should feature a relatively high carrier suppression.

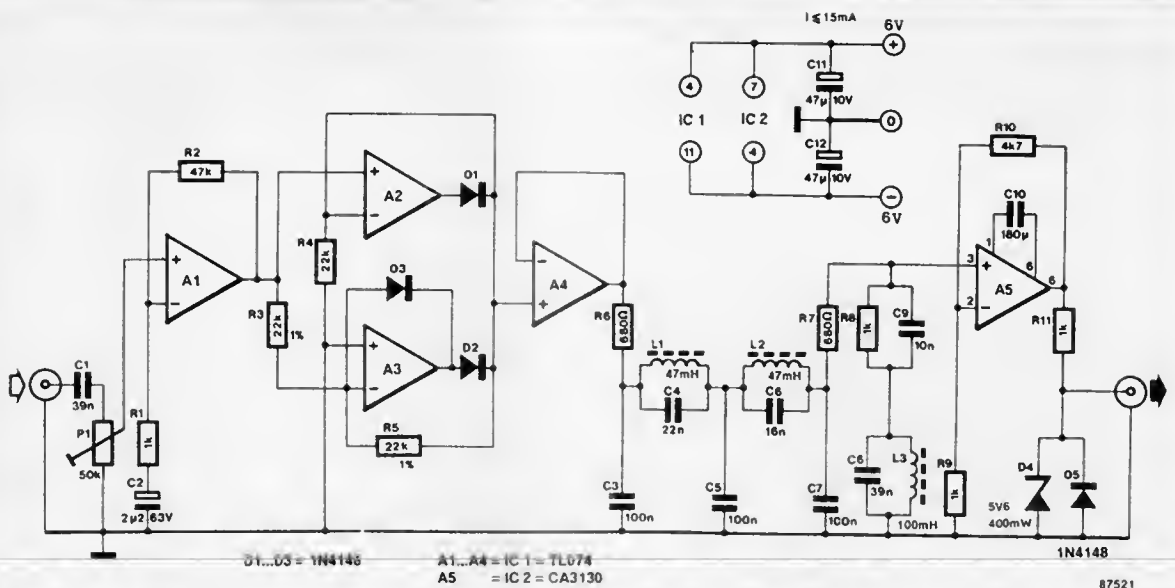
It is assumed here that a picture signal is available on a cassette tape. Opamp A₁ has an amplification of 48, while A₂A₃ form a precision two-phase rectifier. The 2,400 Hz ripple arising from the slightly different specification of the opamps amounts

to no more than 0.2%. For commonly used A-D converters, this corresponds to an error smaller than $\frac{1}{2}$ (LSB).

The main ripple signal is 4,800 Hz. This is readily removed by a double π filter set up around L₁ and L₂. At 2500 Hz, the attenuation is about 3 dB, at 4,500 Hz about 45 dB. The parallel R-C and L-C networks at the + input of A₅ compensate for the ohmic resistance of the inductors in the π filter. L₁, L₂ and L₃ are preferably ferrite-encapsulated chokes from the Toko 10RB series, available from Cirkuit PLC (L₁ & L₂: 181LY-473. L₃:

181LY-104). The interface is suitable for processing carrier frequencies up to 4,800 Hz, so that it is possible to play the tape at double speed for reading into the computer (provided, of course, the program can handle this). Components R₁₁, D₄ and D₅ protect the A-D converter against voltages higher than 5 and lower than 0 volt. The use of the Type CA3130 BiMOS opamp ensures an output voltage swing of 5 V when a ± 6 V supply is used. The maximum supply level and current consumption are ± 9 V and 15 mA respectively. The

input signal amplitude should be greater than 68 mV_{rms} for a 5 V_{pp} output. B



87

INSTRUMENTATION AMPLIFIER

This instrumentation amplifier was originally designed for the serial digitizer described in ¹, but should be suitable for many other applications also. The amplifier makes it possible to use a relatively long, interference-free, connection between the transducer or sensor and the digitizer input.

The theoretical basis for the circuit is summarized in the accompanying Table. It is seen that the common mode rejection of the amplifier serves to suppress interference. In practice, however, the low drive margins of the inputs and outputs of the opamps impose some limitations. Both suggested types have PNP input transistors capable of handling input voltages between 0 and $U_b - 1.5$ V. The output of the OP-220 can deliver voltages between 0 and $U_b - 1$ V, that of the LM358 between 0 and $U_b - 1.5$ V.

The current consumption of the opamps is low at about 150 μ A for the OP-220, and 1 mA for the LM358, while the slew rate is about 0.04 V/ μ s and 0.4 V/ μ s respectively. For optimum accuracy it is recommended to use high stability (1%) resistors in positions R₁-R₅ inclusive.

Reference:

¹ *Universal peripheral equipment (2): Serial Digitizer.* Elektor Electronics, September 1986 p. 23 ff.

Micropower instrumentation amplifier

Consider an input $U_{CM} + \frac{1}{2}U_d$ at the - input of the circuit, and $U_{CM} - \frac{1}{2}U_d$ at the + input. This corresponds to a common mode input U_{CM} , and a differential input U_d . The currents at the inverting input of each opamp can be summed to form two equations:

$$(U_b - U_{CM} + \frac{1}{2}U_d) \cdot (1/R_1) + (U_d/R_o) + (U_1 + \frac{1}{2}U_d) \cdot (1/R_3) = (U_{CM} - \frac{1}{2}U_d) \cdot (1/R_2) \quad (1)$$

$$(U_1 - U_{CM} - \frac{1}{2}U_d) \cdot (1/R_4) + (U_o - \frac{1}{2}U_d) \cdot (1/R_5) = U_d/R_o \quad (2)$$

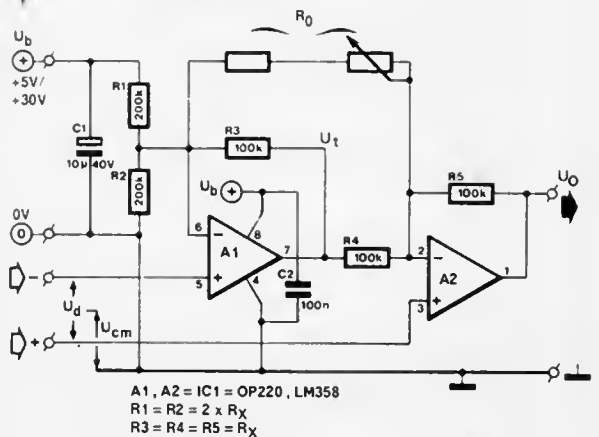
When $R_1 = R_2 = 2R_3 = 2R_4 = 2R_5 = 2R_x$, (1) and (2) can be combined to

$$U_o = 2(1 + R_x/R_o)U_d + \frac{1}{2}U_b$$

which shows that the common mode input (U_{CM}) has been rejected. The differential gain, A_x , of the circuit is therefore

$$A_x = 2 + (2R_x/R_o)$$

and is adjustable between 0 and 1,000 by varying R_o .



PMI Application

87464

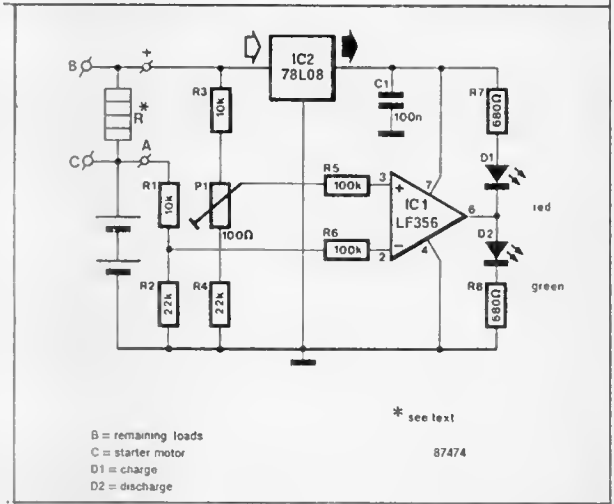
Sv

BATTERY CHARGE/ DISCHARGE INDICATOR

By R Baltissen

Many of today's cars and motor cycles are equipped with a meter for monitoring the battery voltage. However, this meter does not provide information on the battery condition, or whether it is being charged at all. When the voltmeter reading is too low, the battery is generally in such a poor state as to necessitate switching off heavy loads to save power for use of the starter engine later. Especially on motorcycles, the battery capacity is relatively low, which justifies the need for a reliable monitoring system. A standard 30 A ammeter offers too low resolution, and is rather awkward to fit permanently. In this charge/discharge indicator, the measured current is converted into a potential differ-

ence by R^* , which is either two 1R0 5 W resistors, a fuse, or a few turns of copper wire. The direction of the current through R^* is detected by comparator IC₁, which then indicates whether the battery is being charged or discharged by lighting the relevant LED. The 100R preset enables shifting the indication threshold somewhat. Input terminal + on the indicator unit is best connected to a point behind (that is, electrically behind) the contact switch, although it is also possible to fit the circuit with a separate on/off switch. Finally, the circuit is only suitable for use in or on vehicles having a 12 V battery. R



AUDIO LINE DRIVER

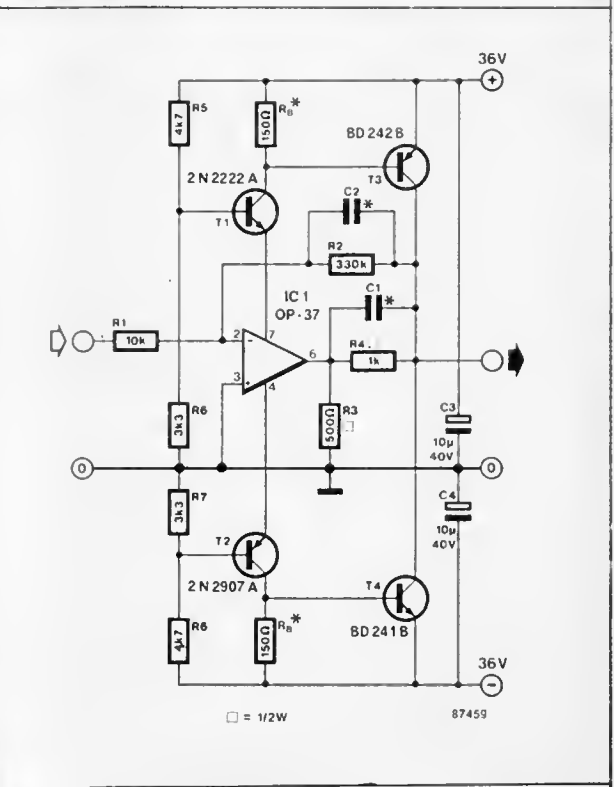
Integrated operational amplifiers are not always suitable for applications where a high signal level ($U_o \leq 10 V_{rms}$) is required for driving a relatively low impedance ($Z = 50-600 \Omega$). The amplifier described here is eminently suitable as a high dynamic range line driver or power buffer in public address systems and AF distribution amplifiers.

The input amplifier of the line driver is formed by a low noise opamp Type OP-37 from PMI. This ensures the following technical specification of the line driver: $U_o = 70 V_{pp}$ max.; $I_o = 400 mA_{pp}$ max.; $D_{tot} = 0.01\%$ at $U_o = 10 V_{rms}$, $Z_L = 50 \Omega$ and $S/N \geq 90$ dB.

Regulators T_1, T_2 bring the supply voltage for the OP-37 down to ± 15 V. The complementary power output stage is formed by T_3, T_4 . The amplifier has a standard negative feedback circuit R_1, R_2 , which results in a voltage gain $A_v = -(R_2/R_1)$. A local feedback R_3, R_4 has been included to keep the output voltage of the

opamp within safe limits, while capacitors C_1, C_2 serve to improve the stability. It should be noted that the value of C_1 and C_2 depends on the construction of the line driver: typical values are 680 pF for C_1 and 22 pF for C_2 . In a prototype of the circuit, neither capacitor was required for the frequency response to remain flat (± 1 dB) up to 100 kHz.

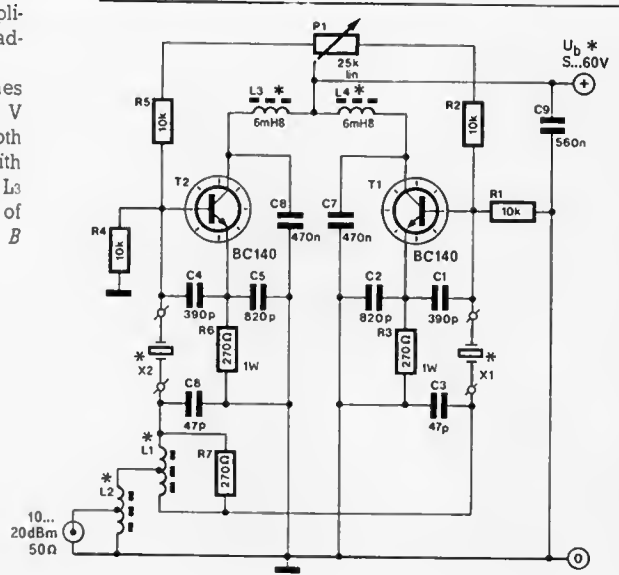
Resistors R_B should drop just enough voltage for T_3 and T_4 to start conducting (class A-B operation). The quiescent current of IC₁ is about 3 mA, so that 150 Ω can be taken as a suitable starting value for R_B . The quiescent current in the power output stage should be between 20 and 50 mA. Higher values of R_B cause the quiescent current, and hence the power dissipation, to increase, resulting in less distortion. The power output stage is not protected against thermal overloading, so that due care should be taken in adjusting the quiescent current. Sv



TWO-TONE RF TEST OSCILLATOR

This test oscillator is useful to ensure optimum operation of RF amplifier stages designed to work on the short-wave bands. Based on two crystal oscillators, it provides considerable output power (10 to 100 mW) to enable measuring intermodulation characteristics of high level and RF power stages. The quartz crystals used here not only serve as the frequency determining elements (2...20 MHz), but also as output filters to prevent one generated signal being lost in the other oscillator. With this in mind, tapped inductors L₁ and L₂ ensure freedom of mutual interference when the oscillator is used for frequencies higher than 10 MHz. Both inductors are wound as 12 turns of enamelled copper wire with a centre tap, on either a small balun or a suitably rated core with an air

gap. Outputs of equal amplitude can be obtained by adjusting P₁. The test oscillator consumes about 250 mA from a 60 V supply. This means that both transistors should be fitted with a heat-sink, and that chokes L₃ and L₄ should be capable of carrying about 150 mA. *B*



* see text

87478-A

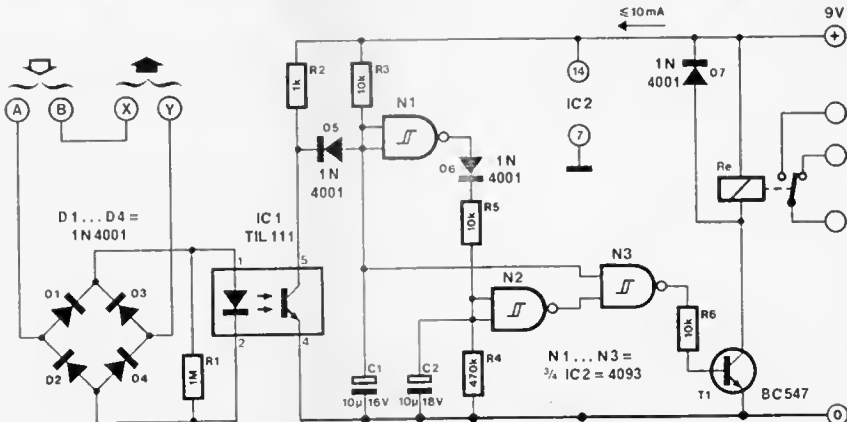
TELEPHONE LIGHT

In this circuit, a relay is energized when a call signal is received, or when the receiver is lifted. The relay remains energized for a short period after ringing off and after the call signal has ended. An optocoupler is used here in view of the direct connection to the telephone line, and the rela-

tively high bell voltage on it. Current is passed through the LED in IC₁ via rectifier D₁-D₄ so that the phototransistor conducts. C₁ is discharged via D₅, N₃ changes state, and T₁ energizes the relay. Also, C₂ is charged via D₆, and so ensures that the lamp remains illuminated for a few seconds after

the receiver has been put on the rest, or after the bell signal has ended. The current consumption of the circuit in the stand-by mode is less than 10 mA. The coil voltage of the relay should be equal to the supply voltage used. *Sf*

Note: connection of this circuit to the British Telecom telephone network is not permitted.



87470

NON-INTERLACED PICTURE FOR ELECTRON

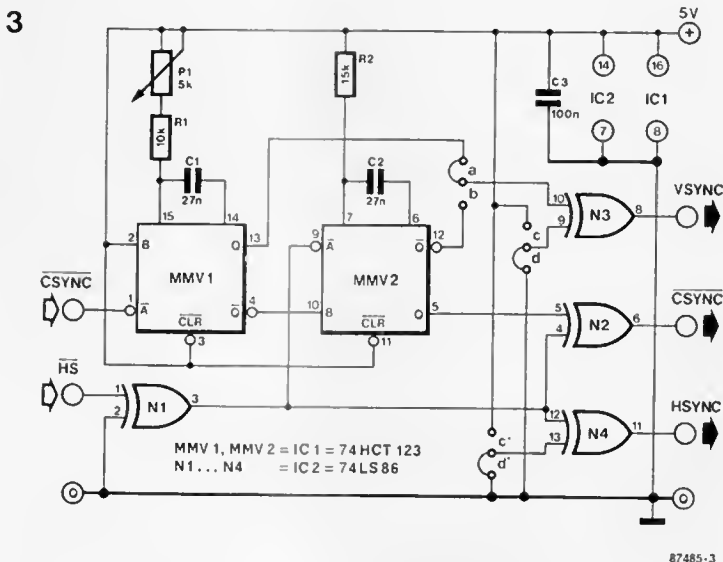
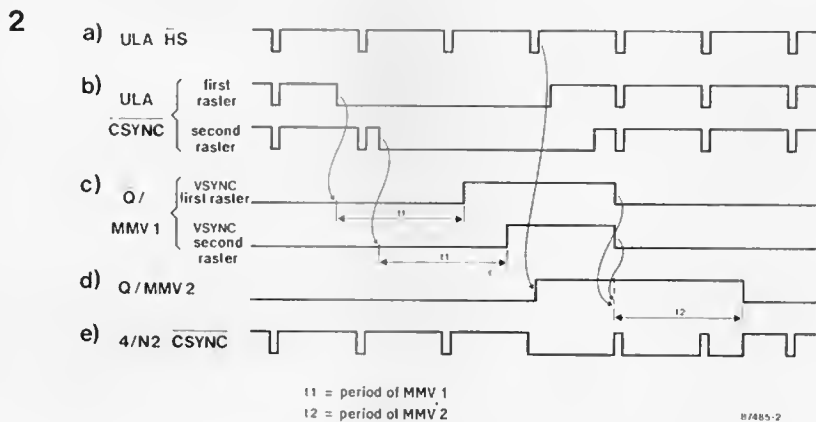
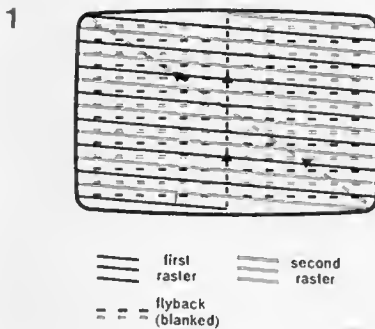
Owners of the Acorn Electron home computer may well object to its interlaced, and therefore slightly instable, picture. There is a trace of display flicker in non-moving areas on the screen, and this is mainly due to the internal video processing circuitry operating on the basis of interlacing, a technique used in conventional TV transmission for smoothing the appearance of moving picture areas. Arguably, interlacing is not very useful in computers, since these work with text in most applications. Special displays with a relatively long afterglow time are no remedy for this awkward problem, and that is why the present circuit was designed. It effectively switches off the interlace function, and so ensures a restful display, albeit that the individual lines that make up the characters become slightly more prominent.

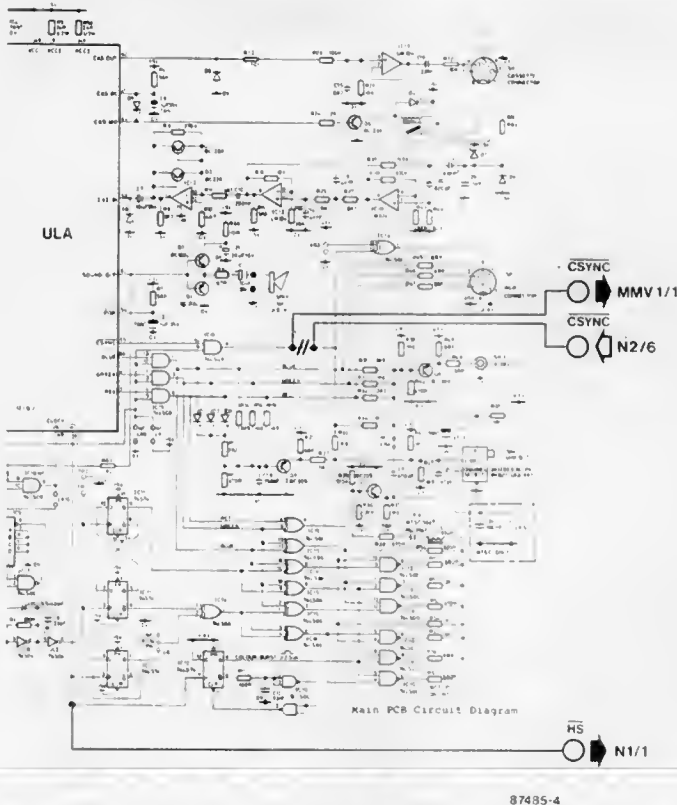
Figure 1 shows that a TV picture is composed of 625 lines divided between 2 rasters of 312.5 lines each. In an interlaced picture, these rasters are vertically shifted by one line. This is done by starting the second raster x and a half time later than the first raster. Interlacing can thus be rendered ineffective by starting the second raster half a line period earlier (i.e., after 312 lines rather than 312.5). To retain the normal number of lines (625), the second raster is arranged to comprise 313 lines.

The ULA chip (Uncommitted Logic Array) in the Electron computer provides a horizontal and a composite synchronization signal, which are shown in Figs. 2a (HS) and 2b (CSYNC) respectively. With reference to Fig. 2c, and the circuit diagram in Fig. 3, MMV1 forms a new vertical synchronization pulse, VS, with the aid of the CSYNC signal. The period of pulse VS is different for the first and second raster, so that MMV2 is needed to make VSYNC equally long in both. MMV2 is triggered on the first line pulse (HS) that occurs when VS is active, and is retriggered when VS goes low—see Fig. 2d. The

length of the VSYNC pulse so made is about $160 \mu\text{s}$, or about 2.5 times the line time ($64 \mu\text{s}$). The HS and the new VS signal are combined in XOR gate N2 for driving the video modulator. Gate N1 serves to buffer the HS output of the ULA.

The final results obtained with the circuit depend mainly on the type of TV set or display used, and may not be optimum when the TV is driven via its RF input. On an older type monochrome set, the central area of





the picture was stable, but the upper and lower areas gave a less favourable look. Good results were obtained, however, from the use of Type TX chassis, which are currently the basis of TV sets sold under many different names and licenses. Even better performance can be expected from a video monitor, whose (TTL compatible) H and V synchronization inputs can be driven by N4 and N3 respectively. The polarity of the sync signals can be selected with the aid of wire jumpers. Connections c and c' result in $\overline{V}SYNC$ and $\overline{H}SYNC$. The choice between jumper a or b depends on the type of display used. Preset P1 is adjusted until the picture appears vertically synchronized: the adjustment is fairly critical when jumper a is used. The final results obtained with the circuit can be judged from looking at a few characters in the upper and lower area of the screen. The modest current consumption of the circuit, 10 mA, makes it possible to power it direct from the Electron computer. TW

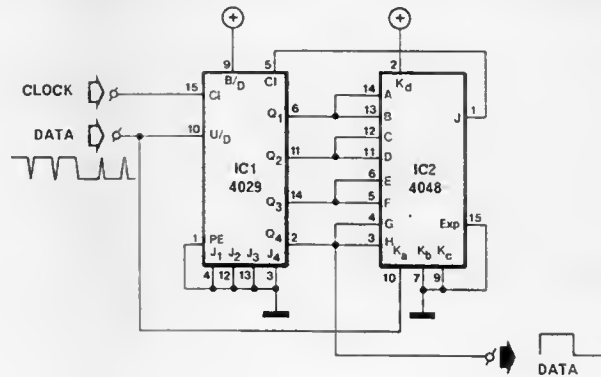
87485-4

93

DEGLITCHER

Extremely short, unwanted, pulses with a period in the nanosecond range are often referred to as *glitches*, and occur in most, if not all, digital circuits. Whilst the circuit in question can be designed and built with due attention paid to effective suppression of glitches, it is not always possible to foresee the effects of external noise on, for instance, a clock signal. The filter presented here effectively rules out the presence of glitches in a serial data link.

Assuming that counter IC₁ is at state nought, and that the data input is logic high, IC₂ is configured as an AND gate. Output Q₄ of IC₁, and hence the output of the deglitcher, goes high after 8 clock pulses. A short negative pulse at the data input merely results in a few more clock pulses being required before Q₄ is activated. After another 8 clock pulses, the



87497

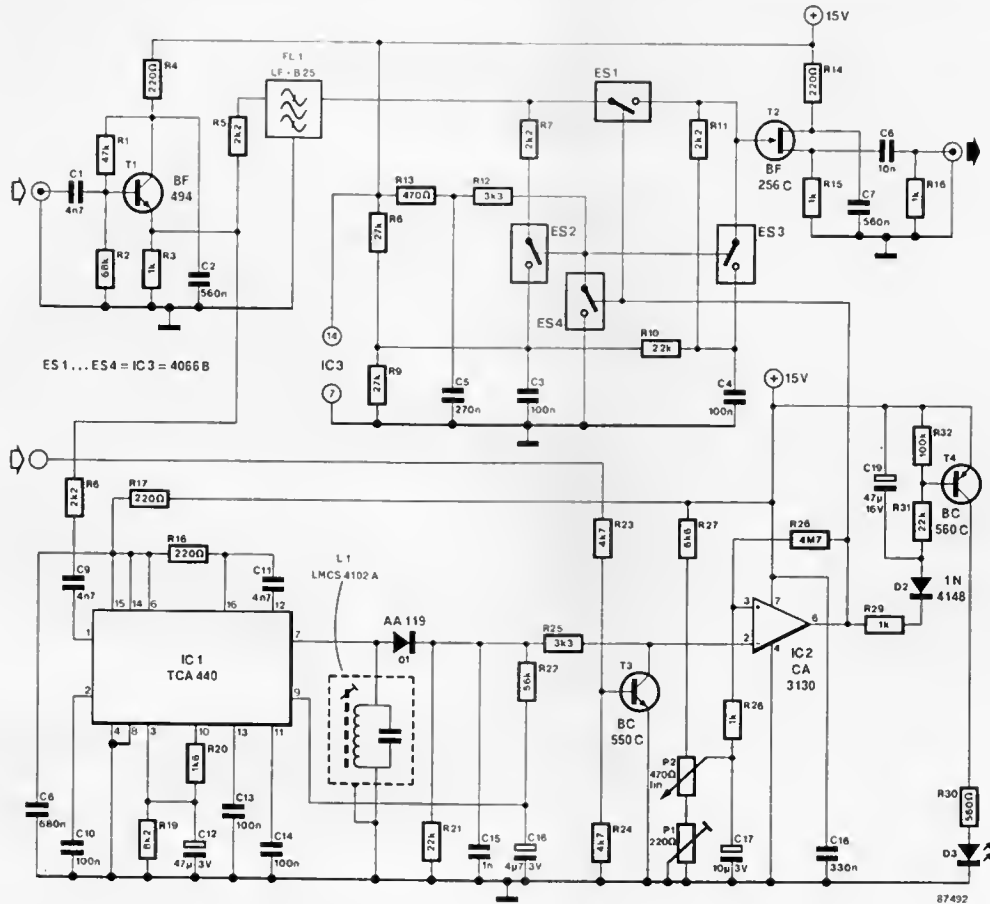
counter state is 15. This causes the \overline{CI} (CARRY IN) input of IC₁ to be driven high, so that the clock signal remains blocked as long as the data input is logic high. When it goes low, IC₂ is configured as a NOR gate, enabling the clock transitions to be counted down in IC₁. Out-

put Q₄ goes low again after 8 clock pulses, and the counter is blocked after another 8 pulses. Therefore, the filtered output data is delayed by 8 clock periods, but this is insignificant in the proposed application. The data frequency, $f_{(D)}$, depends on the clock frequency,

$$f_{(CL)}$$

$$f_{(D)} = f_{(CL)} / 16$$

The maximum usable clock frequency is about 8 MHz. The current consumption of this circuit is less than 1 mA B



87492

A noise blanker is indispensable for improving the reception of very weak signals on the SW bands. In most communication receivers, the selectivity of intermediate frequency (IF) filters causes interfering pulses to be widened, blotting out the wanted signal. It is useful, therefore, to suppress interference before this can wreak havoc in the IF sections of the receiver.

The 455 kHz IF signal is first buffered in T₂, and then processed separately in two circuits. The lower section of the circuit is a TCA440 based receiver for the interfering pulses. The

TCA440 is in itself a virtually complete receiver, since it comprises an RF amplifier, a mixer, and an IF amplifier. All stages in the latter are used since pin 4 is grounded here. The pulse receiver has its own AGC (automatic gain control) to ensure effective suppression of relatively weak interference also. Preset P₁ and potentiometer P₂ enable precise adjustment of the noise blanker for various levels of interference. The circuit can be controlled digitally via R₂₃; a logic high level renders the noise blanker ineffective. The interfering pulses are made logic

compatible with the aid of opamp IC₂. LED D₃ lights when noise is detected.

In the upper section of the circuit, the IF signal is first delayed in FL₁ to compensate for the processing time in the pulse receiver. ES₁ is opened when a sufficiently strong interfering pulse is recognized, so that the IF signal is no longer applied to output buffer T₂. Also, the gate of this FET is then grounded for RF signals via ES₃-C₄, while ES₂ is closed to maintain correct termination of FL₁.

Properly constructed, this circuit achieves noise suppression of the order of 85 dB. Alterations

to suit operation at an IF other than 455 kHz merely involve L₁ and FL₁, although due account should be taken of the parasitic capacitance of the electronic switches at relatively high frequencies.

B

VIDEO DISTRIBUTION AMPLIFIER

The Type TEA5114 from Thomson-CSF comprises three electronic switches followed by a buffer/amplifier. Normally the voltage amplification is 2 (6 dB). When the input voltage exceeds $1.2 V_{pp}$, or when the output voltage exceeds $1.5 V_{pp}$, an internal selector reduces the amplification to unity (0 dB). The threshold of $1.2 V_{pp}$ is created with the aid of voltage divider R_4 - R_5 , which also forms the input termination of 75Ω . Series resistors R_1 - R_3 ensure 75Ω output impedance for driving video equipment via standard coax cable. The TEA5114 can be used as a video source selector also, provided each input has its own 75Ω termination network. The non-connected inputs should then be fitted with a coupling capacitor. Channel selection is effected by controlling the logic level at pins 10, 12 and 15. Note that the logic 1 (high) level corresponds to $+2.5 V$ here.

D

Parts list

Resistors ($\pm 5\%$):

$R_1 \dots R_3$ incl. = 15Ω

R_4 = 47Ω

R_5 = 27Ω

Capacitors:

$C_1 \dots C_4$ incl. = $100 n$

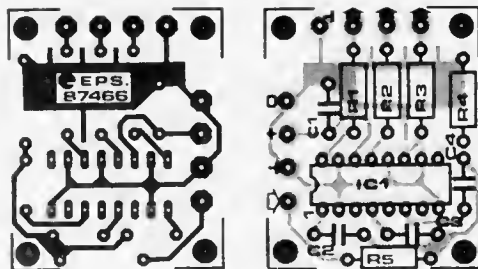
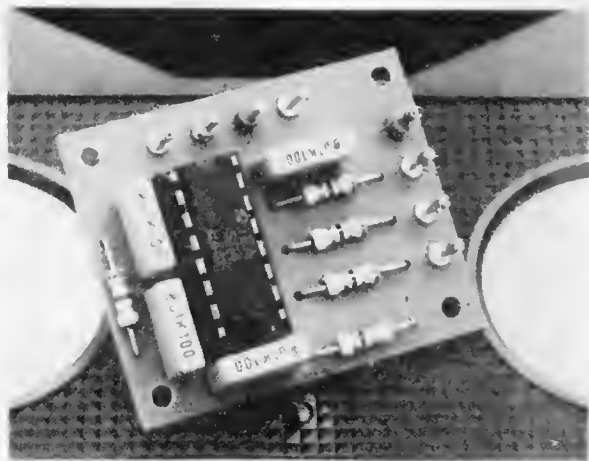
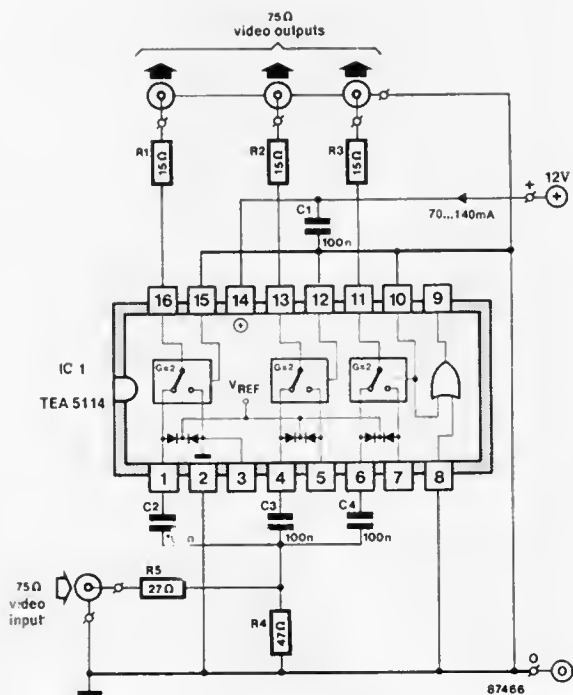
Semiconductor:

IC₁ = TEA5114*

Miscellaneous:

PCB Type 87466 (not available through the Readers Services).

* Thomson Components Limited • Ringway House Bell Road • Darneshill • Basingstoke • Hants RG24 0QG. Telephone: (0256) 29155. For distributors see Infocard 502 (EE February 1987).

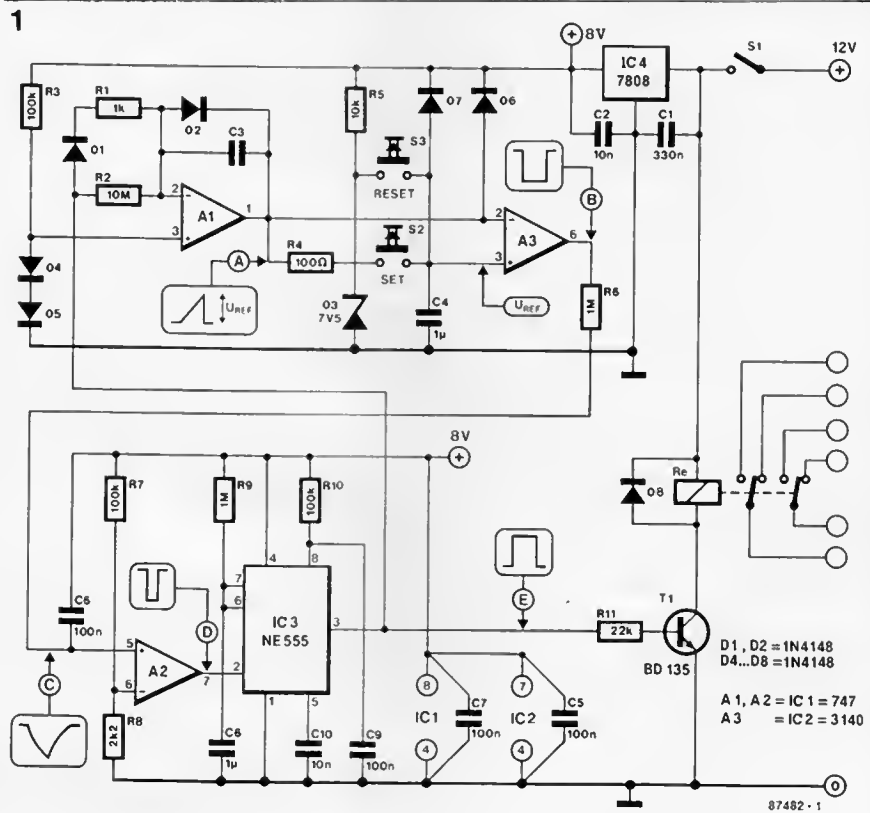


This two-key wiper delay circuit is remarkable for its simplicity and ease of use. The wipe is started by pressing the SET switch, which also serves to adjust the length of the wipe interval. The circuit is turned off by pressing the RESET button.

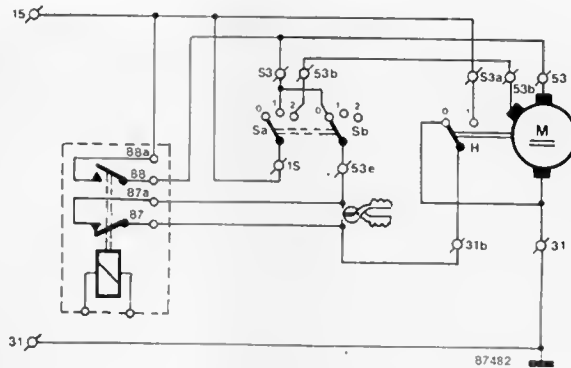
The wiper delay shown in Fig. 1 consists of three opamps and a monostable multivibrator (MMV). Opamp A1 is set up as a triangular wave generator, controlled by the output of the MMV. When this is low, a slowly rising sawtooth voltage appears at the output of A1. The rise time of the sawtooth depends on R2-C3. Opamp A3 compares the voltage across C4 to the instantaneous sawtooth amplitude. The output of A3 drops from 8 V to 0 V when the sawtooth voltage exceeds U[C4]. This change in the output voltage of A3 is delayed by R6-C6 and passed to A2, so that the MMV is triggered somewhat later. The wipers are switched on via T1 and Re when pin 3 on the 555 goes high. Also, C3 is rapidly discharged via D1 and R1, while D2 prevents the voltage across C3 becoming positive. When the MMV output goes low, A1 generates a new sawtooth period.

When the circuit is first switched on, C4 is discharged, and the output of A1 is slightly higher than 0 V due to V[CE] of the internal output transistor. This causes the outputs of A3 and A2 to remain low, so that the wiper relay remains energized initially. When RESET is pressed, C4 is charged via R5, causing the the output of A3 to go high, and the MMV to be stopped. The delay circuit around A2 is necessary to prevent C4 being discharged completely after pressing the SET button.

The relay contacts should be wired such that the dashboard switch is by-passed when the relay is energized, and that the hold switch, H, for the wiper motor is opened—see Fig. 2. Due attention should be given to the correct connection of the hold switch on penalty of short-circuiting the car battery. R



2



DRIVER FOR BIPOLAR STEPPER MOTORS

For some applications, the *Universal control for stepper motors* (see [1]) may be considered too extensive a circuit. Many small motors with limited speed range can be equally well controlled by a relatively simple circuit, based on, for instance, the Type SAA1027 or TEA1012 [2]. Most commercially available controllers are, however, intended for driving unipolar stepper motors, which are now gradually superseded by bipolar types of similar size. In different type of controller. The recently introduced Type MC3479P from Motorola requires a minimum of external components for controlling a bipolar stepper motor. The maximum quiescent stator current, I_s , depends on the value of resistor R between pin 6 and ground:

$$I_s = (U_b - 0.7) / 0.86R \text{ [mA]}$$

where R is given in kΩ. The

above relation between I_s and R is valid as long as the output transistors are not operated in the saturated area. The saturation point is reached sooner at low levels of the supply voltage, or when the ohmic resistance of the stator winding is fairly high. The manufacturers state a maximum current of 350 mA per stator. The supply voltage for the motor (pin 16) depends on the ohmic resistance of the stator windings, and is allowed to vary between 7.2 and 16.5 V. When a high supply voltage is used, it must be remembered that the output transistors will not operate in the saturated area to prevent exceeding the set stator current, I_s . The current control used here allows a fairly high step rate at the cost of an increase in the dissipation of the driver IC, particularly when the motor is held stationary. If necessary, the MC3479P can be cooled by connecting the 4

central ground terminals to a relatively large copper surface on the PCB.

The integrated controller has 4 TTL and CMOS compatible inputs (see Fig. 1):

CLK (pin 7): every rising edge of the clock signal causes the motor to revolve one full or one half step, depending on the level at pin 9. The maximum step rate and the minimum pulse width are 50 kHz and 10 μs respectively.

CW/CCW (pin 10): the logic level applied here determines the motor's direction of travel.

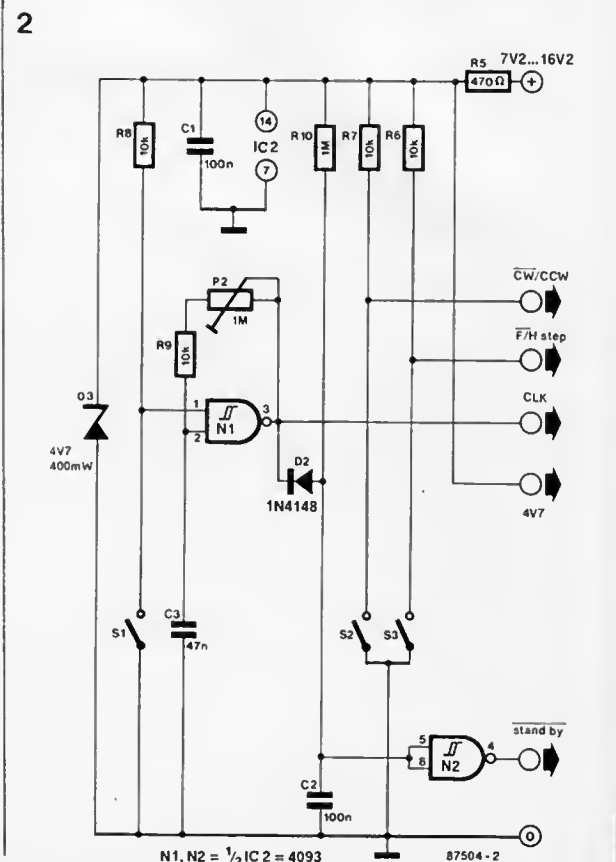
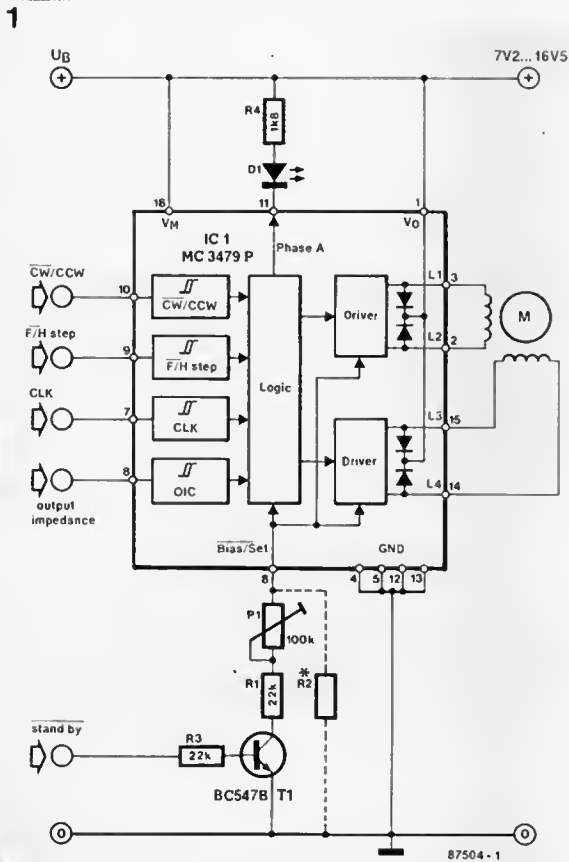
F/H step (pin 9): this input allows selection between full (0) or half step (1) operation—see Fig. 3.

OI (pin 8): this output impedance selection input is only effective in the half step mode. It determines whether the stator winding is effectively disconnected from the driver (0), or connected to the positive

supply at both ends (1). The latter option improves the damping of the motor in the half step mode, and will prove useful at relatively low step rates.

Pin 11 of the driver IC is an open-collector output with a current capacity of 8 mA, activated during period A in Fig. 3. A LED connected to this output will flash rhythmically when the motor is running. Transistor T1 was added to obtain a reset function. No stator current flows, and the logic circuitry in the driver is reset, when the stand by input is driven low. When a logic 1 is applied, the motor is energized starting from state A. The addition of R2 makes it possible to switch the driver to the power-down state, rather than the reset state. The stator current is reduced to the value set with R2, as shown in the above formula.

The motor driver is probably best controlled by a computer



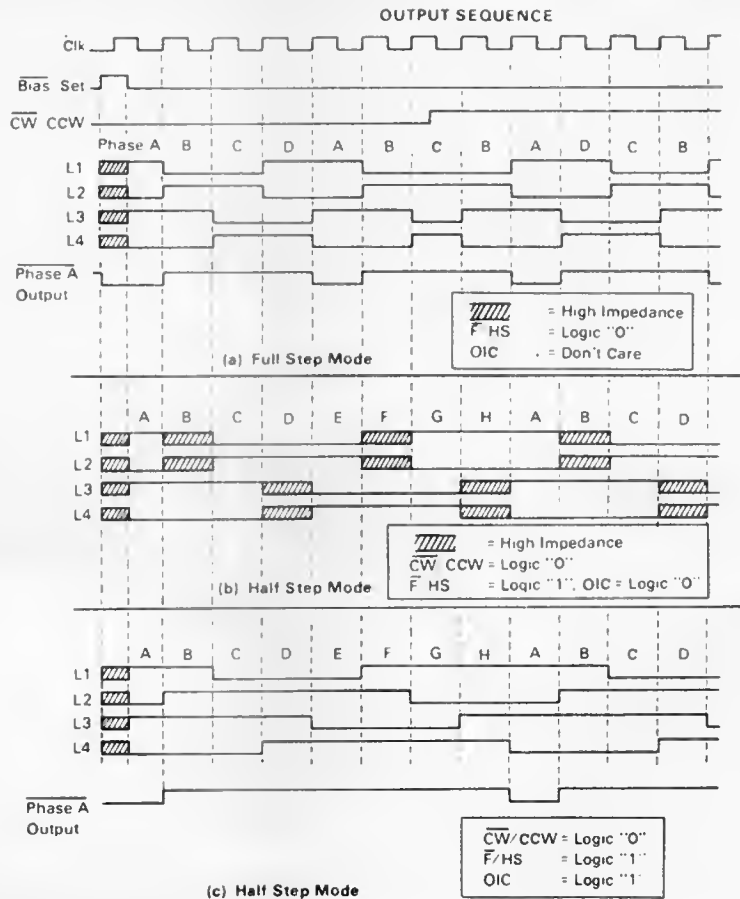
output port. The circuit in Fig. 2 is intended for stand-alone applications. It is composed of a supply, R_5 - D_3 , an oscillator, N_1 - C_3 - R_9 - P_2 , and a re-triggerable monostable multivibrator, N_2 - C_2 - R_{10} - D_2 . When S_1 is opened, the oscillator is enabled, and the motor will start running. The clock frequency, i.e., the step rate, is adjustable with P_2 . The monostable will remain set via D_2 , and T_1 will conduct, as long as clock pulses are applied to the motor driver. The amount of ever reversing stator current is limited by the stator inductance, but can be still be increased with the aid of P_1 . When the motor stops, T_1 is turned off, and the stationary stator current is reduced to the value set with R_2 . The above arrangement keeps the dissipation of the motor and the driver within reasonable limits.

The current consumption of the complete circuit is practically that of the motor alone (700 mA max.). The motor driver IC consumes about 70 mA. *TW*

References:

- [1] *Universal control for stepper motors*. Elektor Eelectronics, January 1987.
- [2] *Stepper motor control*. Elektor Electronics, July/August 1986.

3



B7504-3

98

LOW CURRENT AMMETER

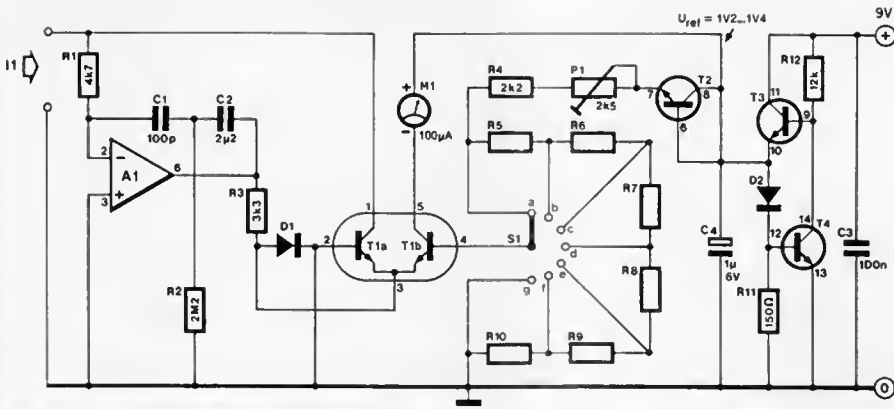
This 7-range ammeter measures currents between a few pA to 100 μ A without using precision resistors with very high values. The circuit is set up around a current mirror T_{1a} - T_{1b} . The input current is mirrored in this transistor pair, and the current through T_{1b} is greater than the input current by a factor set with S_1 . Meter M_1 is a 100 μ A fsd type for displaying the measured value. The effective series voltage drop at the input terminals of the instrument is only 500 μ V because the voltage across the inputs of A_1 is forced to virtually nought. The accuracy of the ammeter depends mainly on the compo-

ponents used. Depending on the required precision, certain components may be replaced by types with a better specification. The Type LF411 opamp used in the A_1 position, for example, can be replaced with the Type OP-41 to achieve a tenfold reduction in the input bias current, and hence an improvement in the final accuracy of the instrument. Transistor pair T_{1a} - T_{1b} may be replaced by a Type MAT-02, and the voltage reference set up with T_3 - T_4 by a Type LM313. These high-quality parts should ensure an accuracy of 1% over most of the range. The meter is calibrated in the 1 μ A range. Preset P_1 is

adjusted for full scale deflection of M_1 at an input current of 1 μ A. When it is intended to make a printed circuit board for the pico ammeter, it should be borne in mind that two 2.5 cm long, parallel running, copper tracks spaced 1.25 mm and etched on a high quality epoxy/glass carrier represent a leakage resistance of about 100 G Ω . This corresponds to a leakage current of 150 pA at a voltage difference of 15 V. Evidently, the PCB for the present ammeter should be thoroughly cleaned to rule out leakage current through residual moisture or resin. Also note that the

insulation of standard test leads is likely to make reliable measuring of currents smaller than 1 pA impossible. The only way to overcome this difficulty is to use dry air or PTFE (Teflon). *Sv*

Source: *PMI Linear and Conversion Applications Handbook*.



T1...T4 = IC1 = CA3046
 A1 = IC2 = LF411, OP41
 R5...R10 = 511Ω, 1%
 D1...D2 = 1N4148

S1	I1
a	100 µA
b	1 nA
c	10 nA
d	100 nA
e	1 µA
f	10 µA
g	100 µA

87507

99

FAST STARTING WIPER DELAY

From an idea by M Schultz.

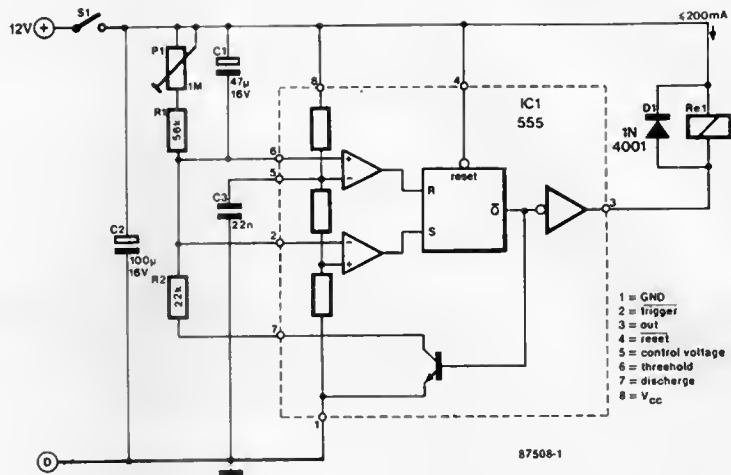
A wiper delay is essentially a bistable multivibrator whose off-time is adjustable with a potentiometer. Many wiper delay circuits are based on the Type 555 timer in its standard application circuit, which has the disadvantage of introducing a delay of about 1.6 times the set interval before the first wiper action takes place. This is especially annoying when an interval of, say, ten or more seconds has been set. This circuit is also 555 based, but is unique in that it arranges for the wipers to be activated immediately at power-on.

The circuit diagram of Fig. 1 shows the internal organization of the 555 timer to aid in clarifying the operation of the present circuit. When S1 is closed, pin 6 is immediately pulled to +12 V because C1 is discharged as yet (see also Fig. 2b). The bistable in the 555 is reset, the output goes low, and Re1 is energized. This forms the basic difference with the standard application of the 555, where C1, connected as shown in Fig. 2a, delays the relay action until charged to 2/3 of the supply voltage. Returning to Fig. 1, C1 is charged via R2 and the 555's internal transistor when the output is activated. The bistable is reset when the voltage at pin 2 drops below 1/3 Vcc, causing the relay to be de-energized, and C1 to be discharged via R1-P1. The dis-

charge time, and hence the wipe interval, is defined by the setting of P1. When this is set to the shortest delay, the wiper motor is constantly powered via Re1, since C1 is not charged via P1-R2 only, but effectively via voltage divider P1-R1-R2 also. The wiper delay is fed from the 12 V car battery, and its current consumption is practically that of the relay alone. Note that the coil current may not exceed 200 mA.

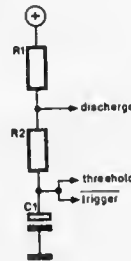
TW

1



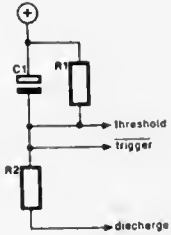
87508-1

2a



87508-2a

b



87508-2b

From an idea by C Trimbach

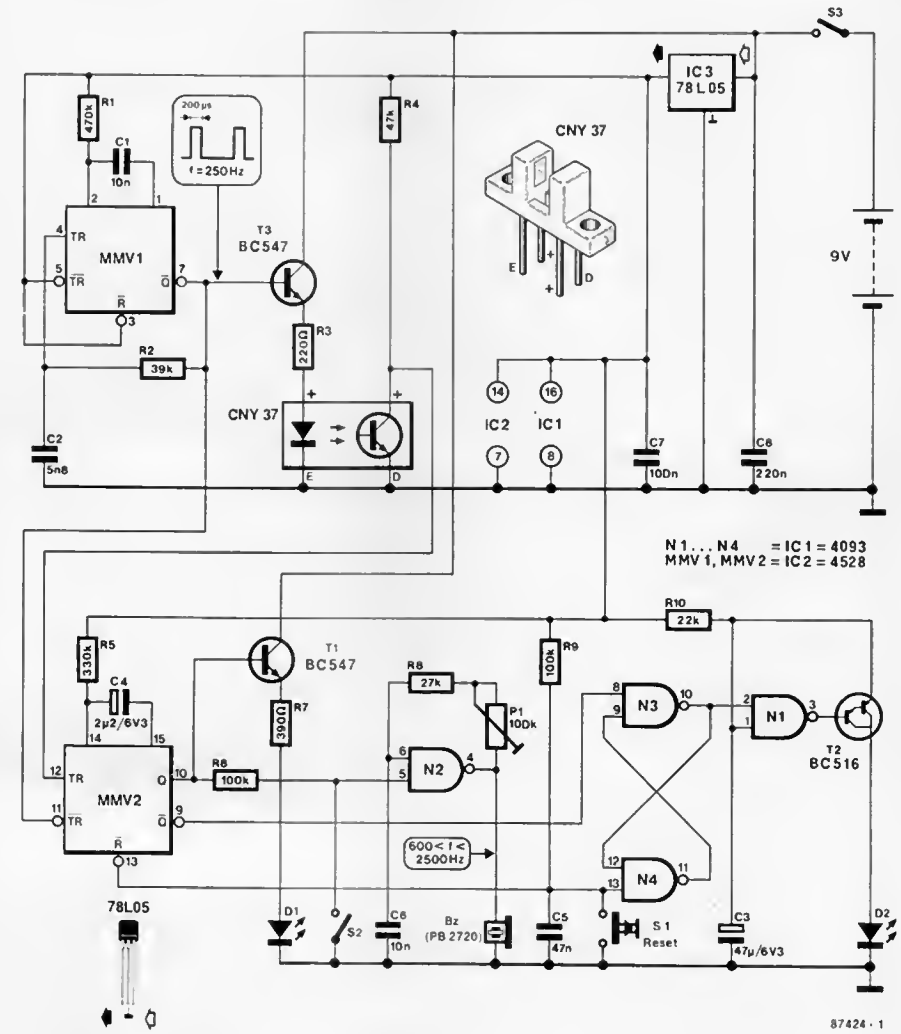
This circuit provides audible and visible warning when a fish is nibbling the bait. Although this event is fairly easy to signal with electronic means, the circuit is relatively extensive to ensure that it can be powered from a 9 V battery.

The circuit is based on a slotted opto-coupler Type CNY37, and a home made notched wheel. Unfortunately, the current amplification of slotted opto-couplers is very low (0.02 min.), requiring considerable current to be fed through the LED before a usable collector current flows in the phototransistor. MMV₁ pulses the LED at about 250 Hz and a duty factor of 0.05. MMV₂ detects the presence of these pulses.

When a fish pulls at the bait, the notched wheel revolves in the slot, and intermittent pulse bursts are received at the trigger input of MMV₂. Green LED D₁ lights, buzzer Bz beeps, and bistable N₃-N₄ is set, so that red LED D₂ flashes at a 1.5 Hz rate. D₁ and the buzzer are turned off when the fish gets off after nibbling the bait, but D₂ continues to flash. The circuit around N₁, T₂ and C₃ then serves to keep the current consumption as low as possible. The circuit can be reset by pressing S₁.

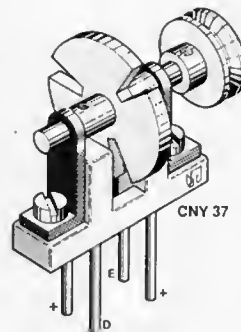
Preset P₁ enables adjusting the frequency of the buzzer oscillator between 600 and 2500 Hz. When several fishing-rods are being used, each can be assigned a particular signal tone. The buzzer can be switched off by means of S₂.

A suggested construction of the light barrier and the notched wheel is shown in Fig. 2. A small shaft is used in combination with a reel around which the fishing line revolves. The slots cut into the detection wheel should not be too wide: 1 mm is a good starting value.



The detection sensitivity is determined by the number of slots in combination with the reel diameter. The light barrier should be screened from daylight.

In the stand-by condition, the circuit consumes no more than 4 mA, which goes mainly on account of the LED in the opto-coupler. In the actuated state, the current consumption rises to about 12 mA. TW



BIDIRECTIONAL PARALLEL INTERFACE FOR C64

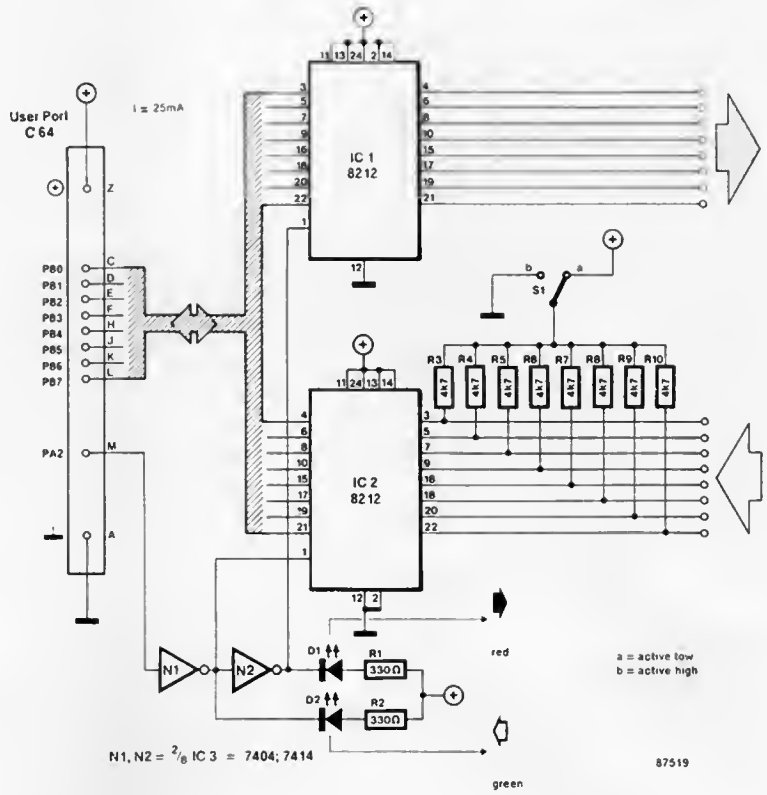
The so-called User Port on the Commodore C64 home micro is intended for connecting peripherals such as a modems, RS232 interfaces, and control circuits. In some applications, it is also used for communication with other C64s. This circuit makes it possible to use port lines PB0-PB7 as inputs and outputs. Software enables the computer to select between input and output by means of the PA2 line (terminal M). Examples:

Data input:

```
10 POKE 56579,0
:REM user port is input.
20 POKE 56576,255
:REM interface is input.
30 A = PEEK(56577)
:REM read variable A.
```

Data output:

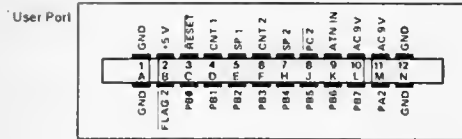
```
10 POKE 56579,255
:REM user port is output.
20 POKE 56576,251
:REM interface is output.
30 INPUT B
:REM read dataword.
40 POKE 56577,B
:REM and send to interface.
```



The circuit is essentially composed of 2 three-state octal bus drivers Type 8212. Via the logic level on PA2, each driver can be enabled individually so as to select between the input or output function of the interface, whose current state is indicated by a pair of LEDs. Switch S1 selects between pull-up (a) or pull-down (b) termination of the input lines.

Finally, an example for interactive data processing:

```
10 POKE 56567,255
:REM interface is input.
20 POKE 56579,0
:REM user port is input.
30 A = 255-PEEK(56577)
:REM read variable A.
100
:REM example of logic control:
110 IF A=1 THEN B=64
111 IF A=2 THEN B=128
112 IF A=4 THEN B=192
113 IF A=60-1 THEN B=32
300 POKE 56577,B
:REM load data register
310 POKE 56579,255
:REM user port is output
320 POKE 56576,251
:REM interface is output
330 GOTO 10
```



ERGONOMIC THUMBWHEEL SWITCH

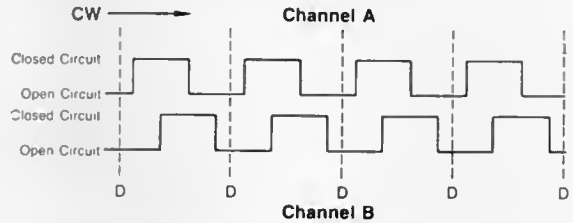
Industrial engineers and system operators need not be told of the often awkward problems that arise from having to change a thumbwheel setting. It is not surprising, therefore, that alternatives for the good old thumbwheel switch are currently finding their way in new designs. The present circuit was designed to work with the Type ECW1J-B24-AC0024 digital contact encoder from Bourns. This device looks very much like an ordinary potentiometer, but essentially contains two switches. These are normally opened, and successively closed when the spindle is

rotated one step. The order of closing is determined by the spindle's direction of travel—see Fig. 1.

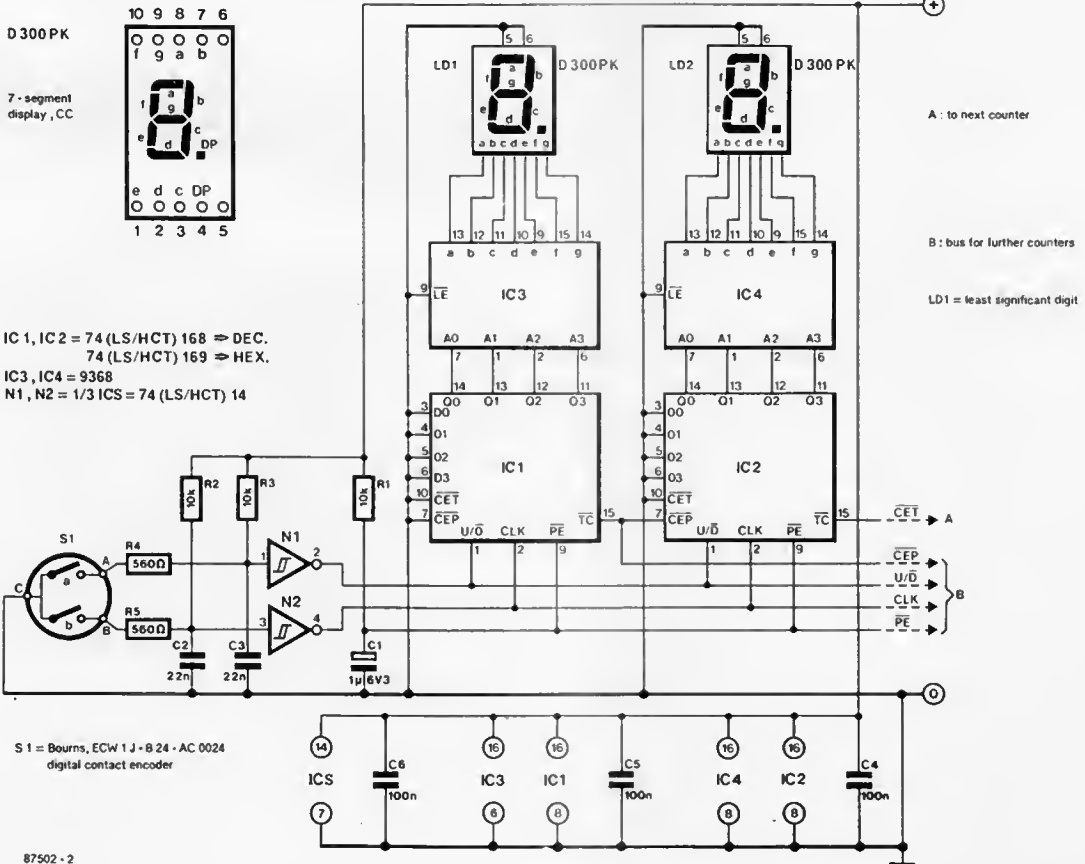
The circuit diagram in Fig. 2 shows how the signal from the digital encoder is processed to obtain a two-digit display indication. Two Schmitt triggers and associated R-C networks ensure sufficient debouncing of the switch pulses. An up/down counter keeps track of the actual switch position. The counters are reset by network R₁-C₁ at power-on. Two counter types are stated in the circuit diagram to provide either a hexadecimal (0-FF) or a decimal

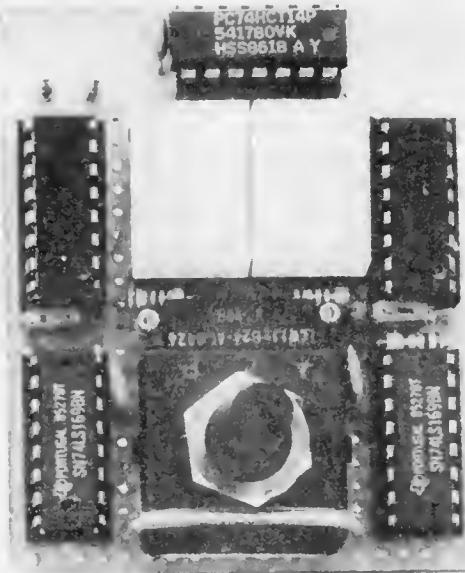
1

FULL CYCLE PER DETENT
(Normally Open in Detent Shown)



2





(0-99) display. The displays and associated drivers can be omitted if the Q_0 - Q_3 outputs on the counters are used to drive a computer input port direct. The maximum current consumption of the 2-digit version is about 400 mA, which goes mainly on account of the 7-segment displays. *TW*

Bourns Electronics Limited • Hodford House • 12/27 High Street • Houndslow • Middlesex TW3 1TE. Telephone: (01 572) 6531.

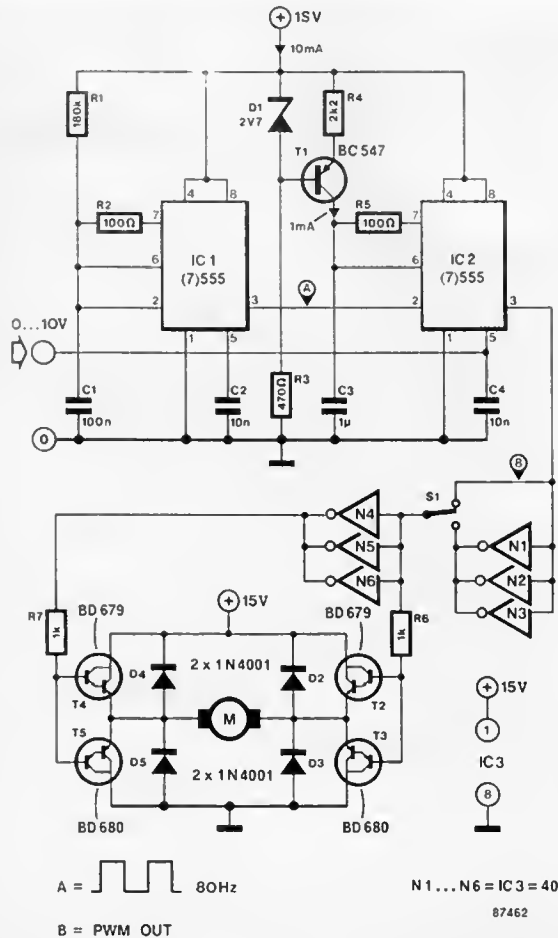
103

PWM DRIVER FOR DC MOTORS

The speed of DC motors is relatively simple to control. For independently energized motors, the speed is, in principle, a linear function of the supply voltage. Motors with a permanent magnet are a sub-category of independently energized motors, and they are often used in toys and models. In this circuit, the motor supply voltage is varied by means of pulse width modulation (PWM), which ensures good efficiency as well as a relatively high torque at low motor speeds.

A single control voltage between 0 and +10 V enables the motor speed to be reversed and varied from nought to maximum in both directions. Astable multivibrator IC₁ is set up as an 80 Hz oscillator, and determines the frequency of the PWM signal. Current source T₁ charges C₃. The sawtooth voltage across this capacitor is compared with the control voltage in IC₂, which outputs the PWM signal to buffer N₁-N₃ or N₄-N₆. The darlington-based motor driver is a bridge circuit capable of driving loads up to 4 A, provided the run-in current stays below 6 A, and sufficient cooling is provided for the power transistors T₂-T₅. Diodes D₂-D₅ afford protection against

inductive surges from the motor winding. Switch S₁ makes it possible to reverse the motor direction instantly. *St*



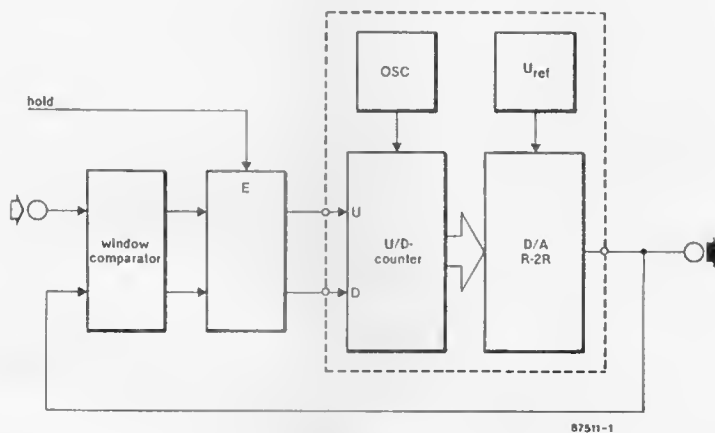
SAMPLE & HOLD FOR ANALOGUE SIGNALS

Conventional analogue sample and hold circuits are notorious for their tendency to drift, a phenomenon unknown in digital memories. It is, therefore, interesting to study the use of a digital memory element for storing an analogue signal.

The present circuit is based on intermediate storage of digitized analogue information, and therefore requires an analogue-to-digital converter (ADC) at the input, and a digital-to-analogue converter (DAC) at the output. Unfortunately, DACs and ADCs are typically expensive components, and the present circuit is therefore set up with a DAC only, driven by an up/down counter—see Fig. 1. The counter is essentially an ADC, since the output voltage of the R-2R based DAC is continuously compared to the input voltage with the aid of a window comparator. The error signal produced by the comparator arranges for the counter to count up or down, depending on the magnitude of the difference between the input and output voltage. The up/down counter is corrected until the input and output voltage are equal. The digitized result of the A-D conversion is available at the counter outputs.

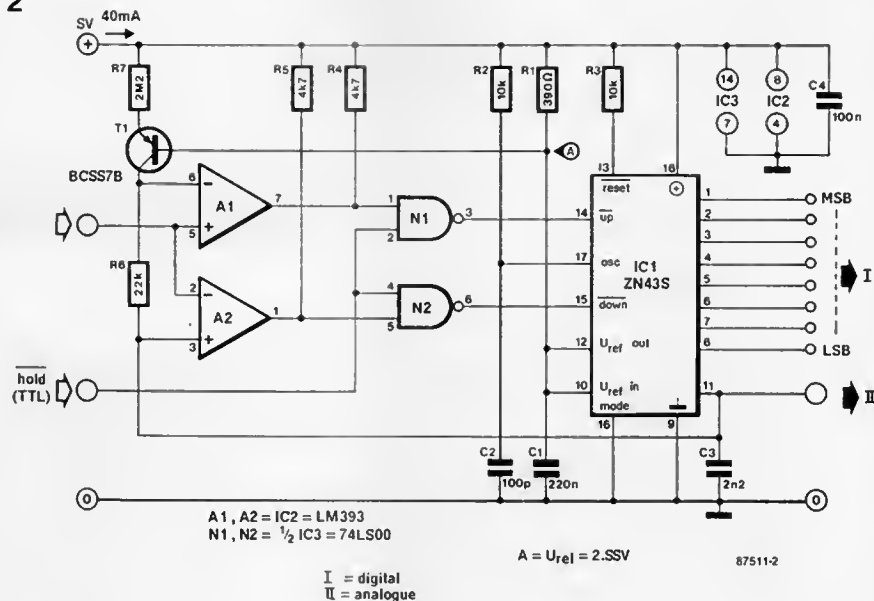
The extensions for converting the basic set-up into a sample & hold circuit are relatively simple. The current count is retained by activating the HOLD input, which enables halting the U/D counter. Evidently, the counter state is not subject to drift, so that the analogue output signal is available unaffected for as long as the circuit is powered. The converter used here is the Type ZN435 ADC/DAC from Ferranti. This chip contains everything shown in the dashed box of Fig. 1. With reference to the practical circuit diagram, Fig. 2, the internal voltage reference and the oscillator are adjusted with R₁-C₁ and R₂-C₂ respectively. The latter are dimensioned for 400 kHz, i.e., nearly the maximum oscillator operating frequency. The internal counter is controlled via inputs

1



87511-1

2



up, down and mode. The logic level applied to the mode input determines whether the counter continues or halts upon reaching state 0 or the maximum value, 255. In the present application, the counter is halted. Gates N₁ and N₂ are added to enable blocking the U/D counter. Opamps A₁, A₂ form the window comparator. Current source T₁, R₇ and R₈

arrange for the toggle threshold of A₁ to be 20 mV higher than that of A₂. This off-set creates the window, or inactive span, needed to suppress oscillation of the counter's LS bit, and to prevent unwanted effects arising from the comparators' offset voltages. Decoupling capacitor C₃ is fitted for suppressing spikes that occur during state changes on the counter out-

puts. The conversion time of this design is about 640 μs, as determined by the oscillator frequency (400 kHz), the resolution (8 bits) and the input voltage change (2.55 V_{pp} max.). This corresponds to a slew rate of 4 mV/μs at the input. Finally, bear in mind that the output impedance (IC₁, pin 11) is relatively high at about 4 kΩ. TW

This electronic version of the reversible sand-glass uses a set of LEDs to simulate the passing of sand grains from the upper to the lower bulb. The simple to build circuit is accurate enough for most domestic timing applications.

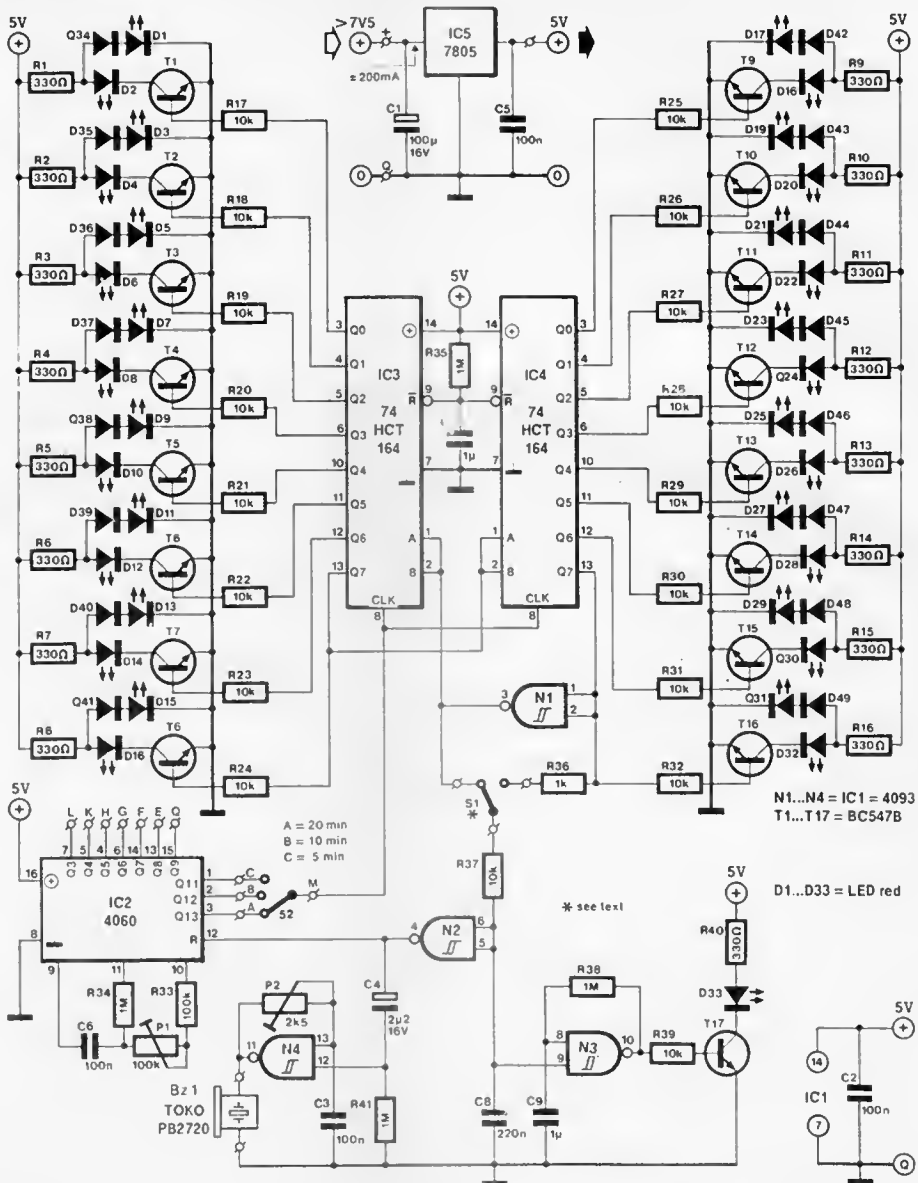
The circuit diagram appears in Fig. 1. On power-up, shift registers IC₃ and IC₄ are reset by the low pulse from network R₃₅-C₇. A few seconds later, the sand-glass is started. The oscillator in IC₂ generates a clock signal for

the shift registers. The clock frequency is adjustable with P₁. Switch S₂ enables selecting one of the three timing periods stated in the circuit diagram. S₁ is a small mercury or ball changeover switch mounted inside the sand-glass. When this is reversed, the switch toggles and so selects the odd or even numbered LEDs. Assuming that S₁ is set as shown in the circuit diagram, every clock pulse causes a logic high level to be shifted into IC₃, for as long

as pin 13 of IC₄ remains logic low. The MS bit of IC₃ (output Q₇) is shifted into the second shift register, IC₄. Controlled by the shift register outputs, transistors T₁...T₁₆ incl. switch off the odd numbered LEDs, and light the even numbered ones sequentially. When pin 13 of IC₄ goes high, counter IC₂ is reset via N₁-N₂, while oscillator N₄ is started. Buzzer Bz₁ is actuated and sounds for about 2 seconds (C₄-R₄₁). The pitch of the tone can be set with P₂.

When the sand-glass is reversed, S₁ toggles, ending the reset state of IC₂. Logic low levels are shifted into IC₃ because pin 13 of IC₄ is logic high. The even numbered LEDs are extinguished one by one, and the odd numbered ones are illuminated, until pin 13 of IC₄ goes low again. IC₂ is reset, Bz₁ produces a short beep, and the sand-glass can be reversed for a new timing period. LED D₃₃ indicates that the sand-glass is operative. The circuit is fed

1



Resistors ($\pm 5\%$):

- R₁...R₁₆ incl.; R₄₀ = 330R
- R₁₇...R₃₂ incl.; R₃₇; R₃₉ = 10K
- R₃₃ = 100K
- R₃₄; R₃₅; R₃₈; R₄₁ = 1M Ω
- R₃₆ = 1K Ω
- P₁ = 100K preset
- P₂ = 2K5 or 2K2 preset

Capacitors:

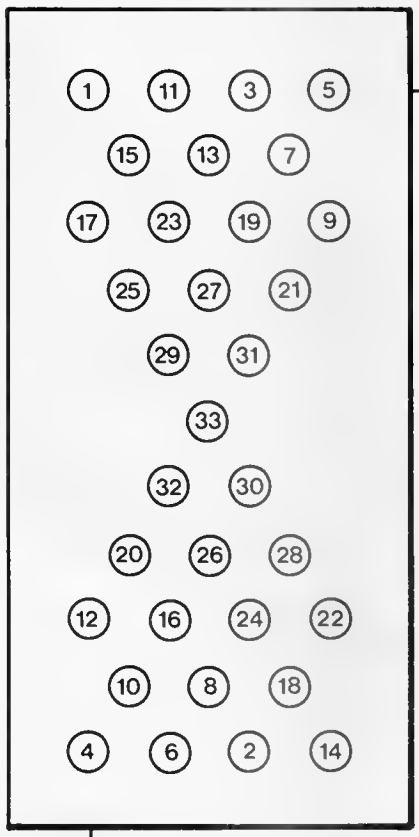
- C₁ = 100 μ ; 16 V; axial
- C₂; C₃; C₅; C₆ = 100n
- C₄ = 2 μ 2; 16 V; radial
- C₇; C₉ = 1 μ
- C₈ = 220n

Semiconductors:

- D₁...D₃₃ incl. = red LED
- D₃₄...D₄₉ incl. = 1N4148
- T₁...T₁₇ incl. = BC547
- IC₁ = 4093
- IC₂ = 4060
- IC₃; IC₄ = 74HCT164
- IC₅ = 7805

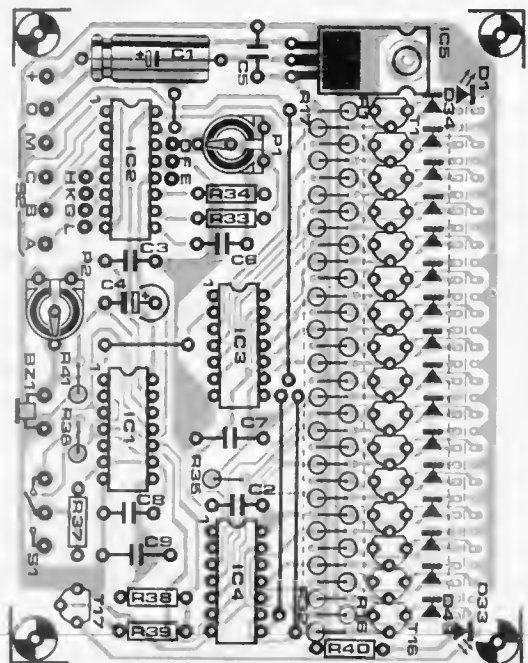
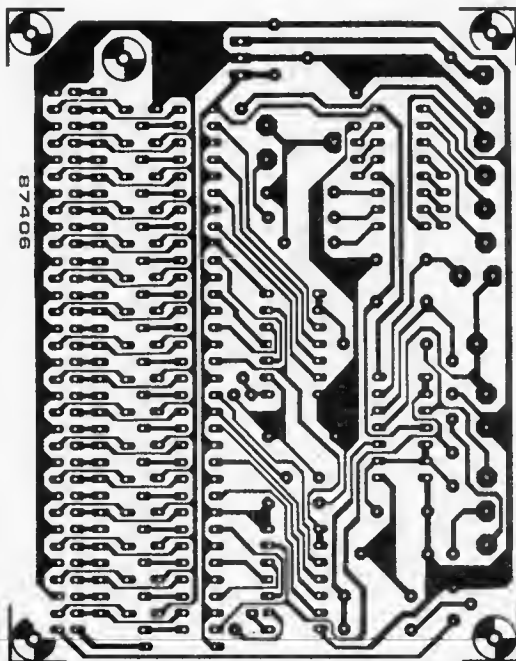
Miscellaneous:

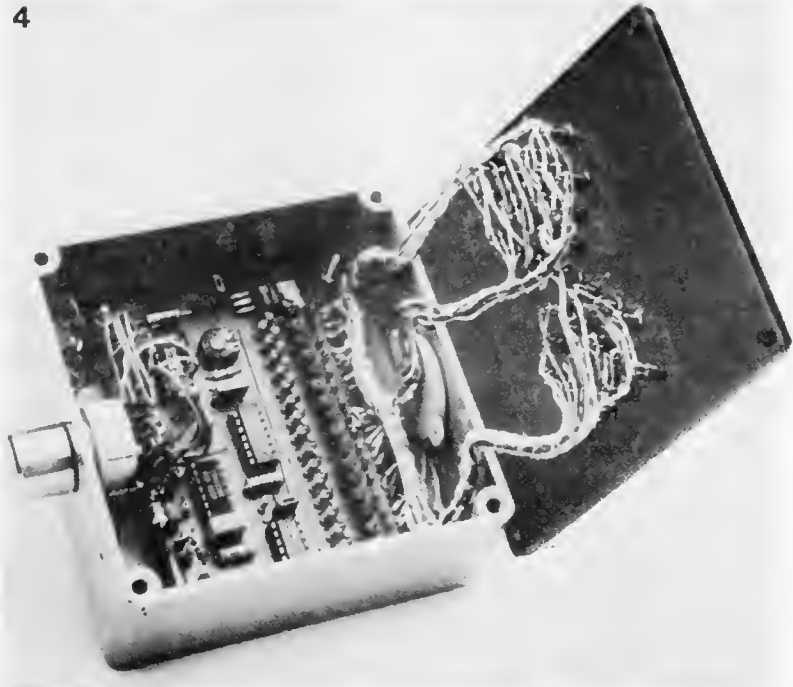
- Bz₁ = PB2720 (Toko; Cirkit stock no. 43-27201).
- S₁ = SPDT mercury, ball or tilt switch, e.g. Maplin order no. FE11M, or ElectroValue no. 339-881.
- S₂ = single pole, 3-position rotary switch plus knob.
- PCB Type 87406 (available through the Readers Services).
- Suitable ABS enclosure.
- DC power socket.



87406 - 2

from a small mains adaptor capable of supplying about 200 mA at an output voltage between 7.5 and 12 VDC. Construction of the sand-glass is straight-forward using PCB Type 87406—see Fig. 2. The position of the LEDs on the front panel of the enclosure is shown in Fig. 3. Make sure that each LED is connected to the corresponding soldering island on the PCB. SPDT Switch S₁ is made from two SPST mercury or ball switches, fitted together but mutually reversed at a suitable position in the enclosure. The action of the switches is tested by reversing the sand-glass and measuring the switch configuration with the aid of a continuity tester or an ohm meter. All parts in the sand-glass enclosure should be fitted securely in view of the reversibility of the enclosure. The socket for connecting the adaptor, and rotary switch S₂, are fitted in one of the side panels. A prototype of the electronic sand-glass is shown in Fig. 4. The detachable front panel that holds the LEDs was cut from perspex sheet. R

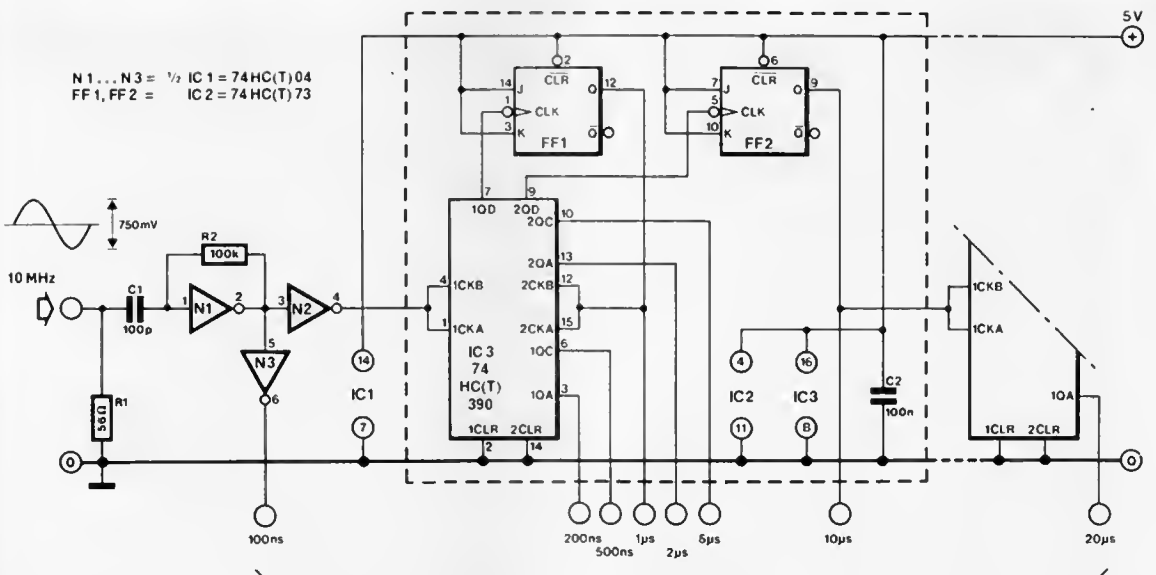




106

DIVIDER CASCADE

N1...N3 = 1/2 IC1 = 74HC(T)04
 FF1, FF2 = IC2 = 74HC(T)73



This circuit can be driven either with an analogue, or a digital, precision 10 MHz signal for dividing down to a number of commonly used timebase periods. The oscillator proposed in ⁽¹⁾ is particularly suitable for driving the present cascade, since it offers excellent stability thanks to the use of a 10 MHz quartz crystal fitted in an electronically controlled oven. It should be noted, however, that its output is digitally compatible, so that components R₁-C₁ and R₂ at the input of the circuit shown here can be omit-

ted, i.e., N₁ is driven direct. Where an analogue, sinusoidal, 10 MHz signal is used, the amplitude must be 750 mV_{pp}. Evidently, R₁-C₁ and R₂ are then required to make the signal digitally compatible for clocking IC₃. The circuit diagram shows that the cascade can be extended by adding further 74HC(T)390s and pairs of bistables. The Type 74HC(T)390 (IC₃) holds two counters, the first of which divides by two (1Q_A), and by 5 (1Q_C). Bistable FF₁ is driven with the 1Q_D output, and out-

puts the :10 signal, which is also applied to the CLK inputs of the second counter in IC₃. This also divides by 2 and 5, while FF₂ gives a total division factor of 100 in the first block of the cascade. The use of decade counters results in output periods commonly used for an oscilloscope timebase. Counters and bistables may be added to obtain relatively long, yet accurately defined, periods for specific applications. The current consumption of the circuit as shown is about 12 mA. With two divider blocks added,

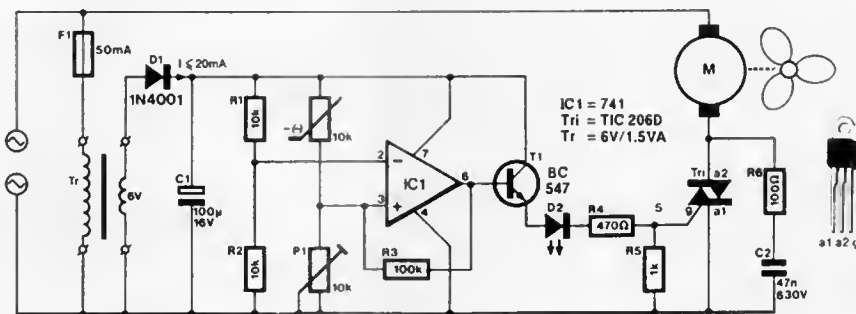
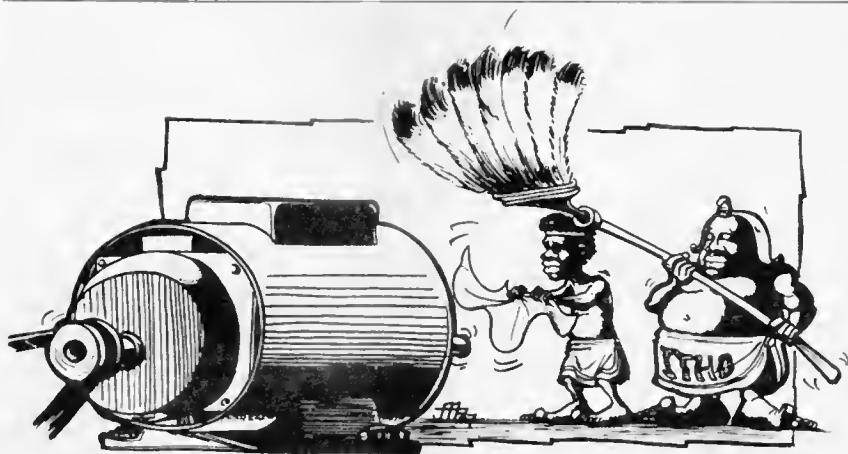
the total current drain is expected to be approximately 25 mA, not 36 mA, since HCMOS circuits require less power at lower clock frequencies. D

Reference:
⁽¹⁾ *Oven-compensated oscillator.* Elektor Electronics, January 1986.

107

FORCED COOLING FOR REFRIGERATOR

Refrigerators dissipate the heat extracted from the inside via a grid structure mounted at the rear side. When a refrigerator is located in a confined space, the rear side can get fairly hot owing to the limited convection. This problem derates the overall efficiency of the refrigerator, since the motor is automatically switched on for longer periods when a considerable difference exists between the inside and outside temperature—notably on hot days it often seems as if the motor is running continuously. The ventilation control described here can help economize on power consumption. The circuit is simple, and does not require a detailed description. A simple DC supply is set up with Tr₁-D₁-C₁. Temperature is measured with the aid of bridge circuit R₁-R₂-P₁ and a NTC (negative temperature coefficient resistor). IC₁ is a comparator which converts the bridge output into a gate current for triac Tr₁, which controls extractor fan M. Some hysteresis is provided by feedback resistor R₃. The triac is controlled with a direct gate current to avoid triggering problems arising from induced voltage peaks.



The circuit is uncritical as regards construction. Be sure to observe the correct connection of the a1 and a2 terminals on the TIC206, else it remains trig-

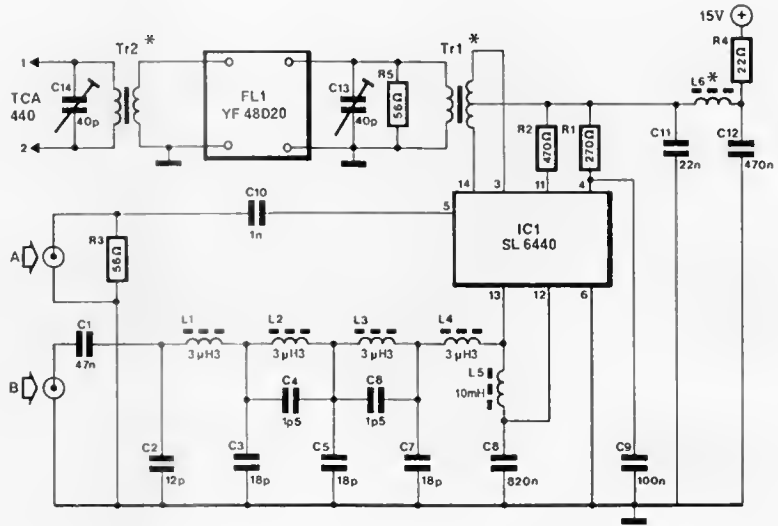
gered permanently. It should be noted that the circuit is dangerous to touch, as it is connected direct to the mains. It is possible to reduce the stand-by

current by omitting Tr₁, and powering the circuit in parallel with the refrigerator motor. The NTC should be fitted near the grid at the rear side of the

refrigerator. The triac can do with without a heat-sink. TW

FRONT-END FOR SW RECEIVER

There are many conflicting technical requirements for a good-quality front-end in an SW receiver. The noise figure and the intermodulation level should be low, the RF insulation between ports LO, RF and IF should be high, and some amplification is desirable. The Type SL6440 high level RF mixer from Plessey ensures a noise figure of around 10 dB, and offers sufficient suppression of the LO signal. The signal applied to the RF input (B) of the front-end is passed through a low-pass filter with a cut-off frequency of 32 MHz and an output impedance of 500 Ω. The open collector output of mixer IC₁ has a relatively high impedance, which necessitates the use of Tr₁ and R₅ for correct matching to 48 MHz crystal filter FL₁. The fixed impedance of this filter for signals outside its pass-band helps to keep the intermodulation distortion low. Trimmers C₁₃ and C₁₄ are aligned for a maximum flat pass-band at minimum loss. The mixer's intermodulation characteristics can be optimized by careful dimensioning of R₁ and R₂, provided the amplitude of the local oscillator signal is



* see text

A = Local oscillator input
B = Octave filter input

87480

stable. A third-order intercept point of 33 dBm was achieved in a prototype. The mixer IC gets fairly warm, and should be cooled with a heat-sink. The RF transformers are wound

as follows (use 30SWG enamelled wire):
Tr₁: the primary winding is 10+10 bifilar turns, the secondary is 10 turns, on a Type T50-12 ferrite core.

Tr₂: the primary winding is 2 turns, the secondary 18 turns, on a Type T50-12 ferrite core.
L₆: 6 turns through a ferrite bead.

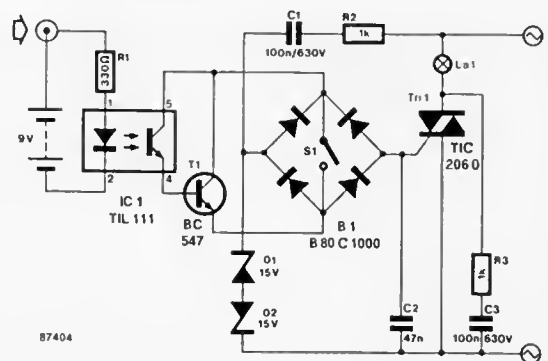
B

COMPUTER CONTROLLED ENLARGER

This circuit is intended for anyone lacking a darkroom timer, or being less than satisfied with it, but in possession of a computer. It is assumed that the computer has a built-in relay for controlling the motor in a cassette recorder. Where this relay output is not available, a different method needs to be adopted for driving the opto-coupler in the enlarger circuit described here.

An MSX computer can actuate the relay in question with the aid of BASIC command **MOTOR ON**. This causes the phototransistor in opto-coupler IC1 to conduct, so that T₁ can

trigger silicon-controlled rectifier Tr₁. The enlarger lamp remains on until command **MOTOR OFF** is issued. Zener diodes D₁-D₂ ensure a safe operating voltage for T₁. Switch S₁ enables turning on the lamp for position adjustments. Writing a program for the enlarger control should not be too difficult, and is therefore left to your own ingenuity. The circuit should be fitted in a properly earthed metal case or an ABS enclosure to prevent accidental contact with points at mains potential. R



87404

NEW PRODUCTS • NEW PRODUCTS • NEW

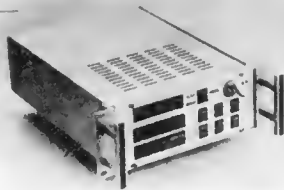
MULTIPOINT SCANNER

Multipoint Process Scanners are a logical extension of the Series 4500 high precision 4½ digit Process Monitors.

When linked with transducers, the Autoscan 8000 finds its applications in the laboratory, Quality control, material test stations or in the field and serves as tool for Centralized Data Collection. The Autoscan 8000 allows upwards integration and when linked with PRT 8421 Numeric Printer the instruments established a Protocol with the Print Mechanism and serves as a complete Datalogging system.

Standard features include Automatic/Manual Selection, skip-channel, Hold, channel select, scan rate selection, independent peak readout and peak value scanning.

The AUTOSCAN is supported by a wide range of options and accessories that include PT-100/Thermocouple linearization and selectable digit alarms with two or more setpoints per channel.



For further information please contact:

ACCORD ELECTRONICS
201 Yashodham Enclave
SA-1/56, Goregaon Mulund
Link Road, Goregaon (East)
Bombay 400 063.

PANEL METERS

In addition to their existing range of DIN size 72mm, 96mm and 144mm Square 240° Circular Scale Indicating Panemeters, MECO have now introduced another 240°

Circular Scale Panel Meters with a clear transparent Acrylic Square front of 110 x 110mm and a round Phenolic moulded body of 100mm diameter. Ammeters & Voltmeters (both AC as well as DC) Frequency Meters, Wattmeters, Power Factor Meters & VAR Meters are available in the above Model. The above instruments have been developed primarily for defence use. These instruments are mainly used in the control panels installed in Power Stations.



For further information please contact:

MECO INSTRUMENTS PVT. LTD.
Bharat Industrial Estate
T.J. Road, Sewree
Bombay 400 015
Phone No.: 4137423
4132435, 4137253
Telex: 11 71001 MECO IN
Cable: STANCOR
Bombay 15.

TOOL KIT

This is a new double zipped, padded wallet which contains a range of electronic aids to handle various jobs. The wallet has 23 fitted pouches to hold the items securely. The kit includes light weight cushion gripped IC cutter, Flat Nose Plier, Micro probes-minipulators, Desoldering gun, knife with 4 replacable blades of different designs, Tong., Claw, Fibre grip heat resistant device, heat shunt, Component handling

tweezer, Triangular file, PCB Brush, Hand held drill, Wire Stripper, Pin Vice, Doofer, Magnifying glass, Scissor, Retrievable Device and IC Insertion And Extraction device.

External dimension of the wallet when closed are: 12" x 9" x 1½" and weighs 850gms only.



For further information please contact:

KOHLI TECOMA
Stereo House, 46, 1st Marine
Street, Dhobitalao
Bombay 400 002. (India)
Phone No.: 319128, 8121167.

MILLI-OHM METER

The VRM22M with its four terminal measurements and 0.1 milli ohm resolution, makes low resistance measurement very simple and accurate. Being BATTERY/MAINS operated and light



weight it can be carried to the work spot, VRM22M has 3½ digit 0.5 inch bright LED display which is ideal for both factories and labs. In most cases it replaces the KELVIN DOUBLE BRIDGE.

For further details please contact:

VASAVI ELECTRONICS
(Marketing Division)
630 Alkarim Trade Centre
Ranigani
Secunderabad 500 003.
Phone No: 70995.

MULTIMETER

LEDTRON ELECTRONICS has introduced Pocket size analog Multimeter model 1015B in association with M/s. Hung Chang Products, Korea. It can measure DC/AC voltage upto 1000V DC current upto 250MA, Resistance upto 10 Megohm, decible from -20 db to 62 db and battery check for 1.5V and 9V batteries. Other features are a 10000 Ohms/VDC sensitivity and 90° Arc mirrored scale for accurate reading.



For further information please contact:

LEDTRON ELECTRONICS
170 Lohar Chawl
Bombay 400 002.

DATA SCANNER

Advani-Oerlikon have developed a mini microprocess-based data scanner called UDS-30. This 30-point scanner is designed for scanning of temperature, voltage or any other parameters of water and steam boilers, windings of HP motors and high voltage transformers, distribution points in silos containing foodgrains, engine test and reaction vessels in chemicals and process industries.

The system is field proven, versatile and compact. It is mounted in a standard RA 19 rack. It can accept multi-variable inputs such as Thermocouples, RTDs and Analogues. The system has built-in 24 columns, an alphanumeric 2 colour printer with re-rolling facility which gives out print out of scanned data and programmed parameters. The keyboard functions such as low level set point, control level set points, dwell time, high level set point, channel number, hysteresis, etc. are programmable individually for each channel. Display annunciation is provided for each channel. There are totally 90 LEDs. Each channel has a separate indication for alarm, sensor break and control status. The system also has the facility to scan alarm conditions on a priority basis. Output relay contacts are provided for each channel. One relay is provided for common alarm and one for sensor break indication. EEPROM memory is used and hence no battery back up is required for the programme. A real time calendar is also provided which gives date, month, year, day of the week and time. Nickel cadmium battery is provided for the back-up of the calendar. The system uses a floating point arithmetics for linearisation

and other mechanical calculations. Solid-state semiconductor switches are used for multiplexing, thus contributing to reliability and compactness. STD cards are used for flexibility of operation and ease of maintenance, thus ensuring minimal downtime. The plug-in PCB and the STD mother board have minimised wiring in the instrument. The unit has a hinged transparent unbreakable cover on the front space to avoid any accidental changes in the keyboard function.



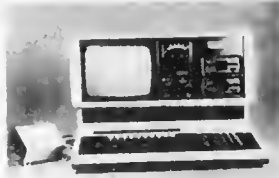
For further information, quote ref: PUB/2, contact: **ADVANI-OERLIKON LIMITED** Post Box No. 1546 Bombay 400 001

SPECTRUM ANALYSER

ROFIN-SINAR LASER UK LTD, announce the introduction of the high speed RSO 6240 Spectral Processor to operate with the current line of Optical Spectrum Analyser equipment. The new instrument includes a more powerful processor, together with many system improvements such as dual double-density double-sided 3½" disc drives, an improved monitor, and digitising electronics.

The entire system has been repackaged with an integral keyboard instead of the earlier separate keyboard. In addition various accessories and software packages have been added to provide a very

powerful package to measure transmission, absorption, reflection and colour, in addition spectroradiometric and software package. The system captures a complete spectrum in 5 msec and stores it in 80 msec in the processor. The wavelength range is 200-5000 nm which can be covered at one time using the "merge" software facility.



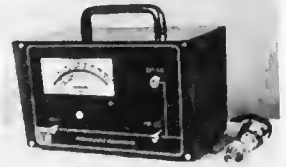
For further information, contact: **TOSHNI-TEK INTERNATIONAL** 267 Kilpauk Garden Road Madras 600 010.

THERMOCOUPLE VACUUM METER

The IBP Thermocouple Vacuum Meter is a simple, single head measuring device.

SPECIFICATIONS

Gauge Head: Chromium plated brass with octal socket.
Vacuum Connections: Through standard 6 mm screwed union.
Measuring Range: 1-1000 Microns.
Calibration: Calibrated for dry air using a Mcleod gauge.
Power Supply: 230 Volts, 50 Hertz, ± 10%.
Dimensions: Small, compact construction with simple panel installation in Standard half module (H 135 mm x W 210 mm x D 145mm)
Standard accessories supplied: Gauge head with cable of length 3 Metres.
Applications: Used in Industrial Systems, Refrigeration Industry, Flask, Lamps, Capacitors and Condenser Industries etc.



For further information please contact:

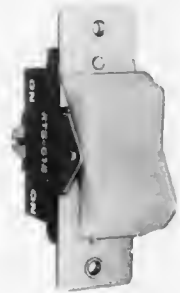
IBP CO. LIMITED
A Govt. of India Enterprise
Engineering Division
Sewri (East)
Bombay 400 015.

"ROCKER TOGGLE" SWITCH

IEC has just introduced a range of "Rocker Toggle" switches with Black, Red, Blue, White, Yellow or Green colour knobs.

These Rocker Toggle switches are available in 6A, 10A, 15A, 250V AC or 28V DC in single and double pole with on-off, changeover with or without centre off and momentary contact, to serve as Push Button. Special circuits are possible e.g. 1,2,3 or 1, 1+2, 2+3, etc., avoiding the need of 2 or 3 switches.

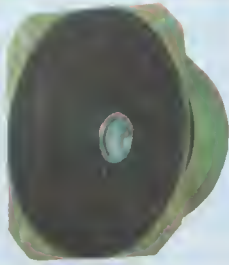
Switches are supplied with screw terminals or push-in terminals (6.3mm).



For further information please contact:

INDIAN ENGINEERING COMPANY
Post Box 16551, Worli Naka
Bombay 400 018.

COLOUR TV SPEAKERS



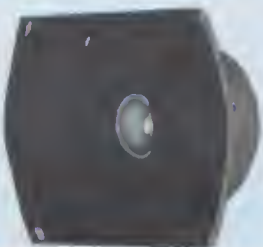
10 LFCT 5



5 9 LCT 3



8 x 13 LCT 5

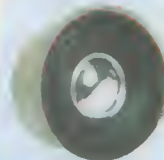


10 x 15 LCT 6

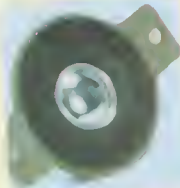
TWEETERS



5 LT 15



5 LT 10



5 LT 10F



1 LDT 10 S

AVAILABLE IN 4, 8, & 15 OHMS,
OTHERS ON SPECIAL REQUEST

**LARGEST MANUFACTURER
OF SPEAKER COVERING
AUDIO, VIDEO, TOYS,
TELECOMS & COMPUTERS**

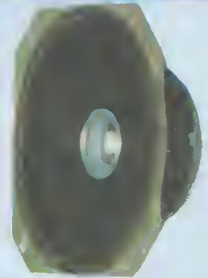
- Manufactured by
LUXCO Electronics
Allahabad - 211 003
- Sole Selling Agents
LUXMI & CO.
56, Johnstonganj
Allahabad - 211 003
Phone 54041, Telex 540 286
- Distributors for Delhi & Haryana
Rollon Electronics
Radio Place, Chandni Chawk
Delhi-110 006
Phone 239944, 233187
- Distributors for Maharashtra,
Gujarat and South India

precious®
Electronics Corporation

- Chotani Building, 52, Proctor Road,
Grant Road (East), Bombay-400 007
Phones: 367459 369478
- 9, Athipattan, Street, Mount Road,
Madras - 600 002, Phone 566718

**sound technology
from a sound source**

B/W TV SPEAKERS



10 LG 5



9 LG 3



8 LG 2



7 LG 1

NEW

M. W. ... and
PROJECTS
**AN ELEKTOR BOOK
FROM HOLLAND**



**PACKED
WITH PROJECTS**

Includes information on:

- Home work - Table.
- Hardware & Components
- Checklists
- Soldering
- Component data & codes.

PRICE Rs. **50/-**
R.P.P. FREE

ATTENTION!
**SPECIAL OFFER TO
ELEKTOR INDIA SUBSCRIBERS**

- Send a 3 year Subscription for elektor India magazine and get this book **free**.
- Existing subscribers can order this book @ 30% discount. Please mention Subscription number (or send latest address label from magazine envelope)

Please send amount by
M.O./D.D./P.O/ only to:

**elektor
ELECTRONICS
PVT Ltd.**

52-C Proctor Road
Grant Road (E) Bombay - 400 007.
Phones: 367459 /369478
Telex No. (011) 76661 ELEK IN

**This offer is valid to
payments received from
9.06.87 to 30.09.87**

VISHA KITS VISHA KITS VISHA KITS VISHA KITS VISHA KITS VISHA KIT

OVER 100 EXCITING PROJECTS

AT LOWEST PRICES THAN EVER BEFORE

PRE-AMPLIFIERS & TONE CONTROLS

	PCB PRICE	KIT PRICE
1 Dynamic Stereo Pre-Amp	2-50	65-50
2 Austereo Disc Pre-Amp	5-00	45-00
3 Guitar Mixer Pre-Amp	5-00	70-00
4 Austereo Control Pre-Amp	5-00	70-00
5 Philips Universal Pre-Amp	13-00	110-00
6 Electrol Mike Pre-Amp	4-00	30-00
7 Stereo General Purpose Pre-Amp	4-00	50-00
8 Stereo Tape Head Pre-Amp	2-50	65-00
9 Stereo Cassette Pre-Amp	7-00	70-00
10 Stereo Control Module	8-00	80-00
11 Graphic Equaliser Moni 10 Band Using IC 4136	18-00	350-00
12 Graphic Equaliser Stereo 10+10 Band using IC 4136	36-00	800-00
13 Spring Reverberation Unit Using 6" Reverb Spring	15-00	425-00
14 Simple Echo Unit Using 16" Reverb Spring	15-00	625-00
15 Simple Echo Unit Using 6" Reverb Spring	12-00	425-00
16 Simple Echo Unit Using 16" Reverb Spring	12-00	625-00

POWER AMPLIFIERS

1 The Stamp-Mini Amp	2-50	50-00
2 Bel-700 1 Watt Amp	2-50	35-00
3 Austereo 3W+3W Amp	8-00	180-00
4 Austereo 15W+15W Amp	9-00	350-00
5 Austereo 15W+15W Amp	9-00	350-00
6 Stereo 6+6W using TDA 2004	6-50	120-00
7 TBA 810-7W Amp	4-00	40-00
8 TBA 810 7W+ 7W Stereo Amp	8-00	80-00
9 TBA 810 7W with Passive Tone	6-00	55-00
10 TBA 810 7W with Vol Bass Treble	6-00	70-00
11 TBA 810(7W+7W) with Vol. Bass Treble	12-00	140-00
12 TBA 810 7W+ 7W Stereo Amp with 741 Control Amp	22-00	200-00
13 Philips Hili 8W Amp	12-00	110-00
14 Philips Hili 15W Amp	10-50	125-00
15 Philips Hili 25W Amp	10-50	135-00
16 Philips Hili 40W Amp	7-00	150-00
17 TDA 1010 10W Mono Amp	3-00	45-00
18 TDA 1010 (10W+10W) Stereo Amp	6-00	90-00
19 TDA 2020 20W Mono Amp (Single Supply)	8-25	95-00
20 TDA 2020 (20+20)W Stereo Amp (Single Supply)	16-50	190-00
21 TDA 2020 20W Mono Amp (Dual Supply)	8-50	85-00
22 TDA 2020 (20+20W) Stereo Amp (Dual Supply)	17-00	170-00
23 Edwin 40W Amp	15-00	180-00
24 Electronado (50W+50W) Stereo Amp	13-00	350-00
25 Equin 60W Amp	18-00	265-00
26 STK 439 Stereo Amp with Pre-Amp (30W+30W)	25-00	600-00

AUDIO ACCESSORIES & LAB INSTRUMENTS

1 Audio Level Indicator using LB 1405	2-50	30-00
2 Stereo Rumble Filter	3-50	65-00
3 Morse Trainer	2-50	25-00
4 Signal Injector	2-50	30-00
5 Audio Scope	5-00	35-00
6 3 1/2 Digit LCD Thermometer	25-00	550-00
7 3 1/2 Digit LCD Capacitance meter	50-00	700-00
8 3 1/2 Digit LCD Digital Panel meter	25-00	350-00
9 7 Segment LED Display Digital Panel Meter	28-00	350-00
10 Add on Capacitance Meter module to Multimeter	8-00	85-00
11 Simple Function Generator	12-50	270-00
12 Function Generator	65-00	575-00
13 CMDS Function Generator	5-00	100-00
14 Luxury Transistor Tester	13-00	110-00
15 Brake Light Monitor	5-00	25-00
16 Ionizer	11-00	125-00
17 Mosquito Repellent	3-00	40-00

SOUND EFFECTS & HORN & KITS

	PCB PRICE	KIT PRICE
1 7400 Siren	6-00	30-00
2 Multiple Sound Effect Generator Using IC 76477	8-00	95-00
3 Simple Sound Effects	5-00	60-00
4 Talk Funny	8-00	200-00
5 Electronic Car Horn	6-00	65-00
6 Single Tone Car Reverse Horn	2-50	45-00
7 Electronic Door	7-00	170-00
8 12 Tune Car Reverse Horn	4-00	60-00
9 Scooter Brake Horn	3-00	50-00

POWER SUPPLIES

	PCB PRICE	KITS PRICE
1 General Purpose Power Supply	2-50	12-00
2 78 L General Power Supply	2-50	30-00
3 5 Volts 500 mA	4-00	40-00
4 *15 Volt 1Amp	3-50	75-00
5 Austereo Power Supply	5-00	60-00
6 15 Volt 1Amp	5-00	65-00
7 0 10V 300 mA	5-00	85-00
8 IC Power Supply 1V 10V-1A	8-00	60-00
9 0 30V 1Amp Variable Bench-Supply	8-00	115-00
10 0 24V 3Amp Variable Power Supply	6-00	200-00
11 60 Volts Regulated Power Supply	7-00	300-00

DOOR BELLS

	P.C.B PRICE	KITS PRICE
1 3 Tune UM 66L Bell	2-50	25-00
2 12 Tune Battery Operated	2-50	40-00
3 Selective 12 tune Means Operated Using IC um 3481 83	6-00	90-00
4 Bird Bell	3-00	25-00
5 16 tone Musical Call Bell	5-00	50-00
6 Steam Train	4-50	40-00
7 Steam Whistle	4-50	40-00

DOMESTIC

	PCB PRICE	KITS PRICE
1 Radio Amolifier	8-00	100-00
2 Video Distribution Amplifier	9-00	120-00
3 Telephone Amplifier	6-00	85-00
4 Telephone Exchange (8 Way)	80-00	1200-00
5 VHF TV Booster	12-00	100-00
6 VHF UHF Modulator	4-00	105-00
7 Universal NICAD Charger	10-00	110-00
8 MW Receiver Using ZN 414	9-00	125-00

GAMES, LIGHT EFFECTS

	PCB PRICE	LITS PRICE
1 TV Games	9-00	250-00
2 LED Running Light	5-00	85-00
3 4 Way Running Sequential Light	7-00	150-00
4 6 way Running Disco Sequential Light	14-00	225-00
5 Light Dimmer/Fan Regulator	3-50	35-00

TIMER/CLOCKS

	PCB PRICE	KITS PRICE
1 Kitchen Timer (1 Min-17Min)	4-50	60-00
2 5 min to 2+ Hr Timer	2-50	70-00
3 Reading in Bed Limiter (15 Min.)	6-00	55-00
4 1 to 19 Min. presettable Timer	16-00	190-00
5 Digital Clock (IC MM 5402) Table Module	12-00	250-00
6 Digital Clock (IC MM 5387) Table Module	12-00	250-00
7 11 LED MM 5387 Big Wall Clock	50-00	400-00
8 Hourly Clock Stroke Module	3-00	70-00

NEW KITS

FROM THIS ISSUE	PCB PRICE	KIT PRICE
1) Toilet Pointer	5.00	45.00
2) 7 Digit Code Lock	15.00	300.00
3) Light Sensitive Trigger	3.00	50.00
OTHER NEW KITS		
4) 4 Tone Siren	3.00	65.00
5) 56 LED (1 1/2" display size) IC 5387 CLOCK	25.00	300.00
6) 10 Band Mono Graphic Equaliser using TLO 84	30.00	375.00
7) 10 + 10 Stereo Graphic Equaliser using TLO 84	50.00	800.00
8) Selective 16 tune Door bell	3.00	60.00
9) Frequency Meter	50.00	1100.00

THIS SPECIAL OFFER VALID UPTO 31st DEC. 1987

VISHA ELECTRONICS

17, Kalpana Building First Floor, 349, Lamington Road, Opp. Police Station, Bombay-400 007. Tele. 36 26 50

TERMS

- Goods by return subject to availability
- Kits price includes PCB & Components that goes on to the PCB. Power Supply & enclosures are exclusive
- Minimum outstation order must be of Rs 50/-
- All orders must carry a minimum advance of 50% by M.O or D.D. (balance payment through V.P.P. (NO CHEQUES PLEASE!))
- All prices are exclusive of M.S.T

100 Projects?

The number of projects one can build using the microprocessor trainer kits and add on cards from Dynalog is unlimited. Any project you can think of, using a microprocessor, can be realised using different combinations of Dynalog products.

The Microfriend series from Dynalog covers 8085, Z80, 6802, 6502, 8086, 8088, 68000 and it will soon include development support for some of the popular single chip controllers.



Different systems are available to suit different budgets. The low cost systems based on 8085, Z80 and 8088 are ideal for students, hobbyists and individual development engineers. So, if you are thinking of a microprocessor based project, write to us with the project outline you have in mind and we shall offer you the most suitable combination of Dynalog products which can form the basis of your project.

For more details, write or call:

14, Hanuman Terrace
Tara Temple Lane
Lamington Road, Bombay 400 007
Tel: 362421, 353029
Tlx: 011-71801 DYNA IN
Gram: ELMADEVICE

DMS

**Dynalog
Micro-Systems**